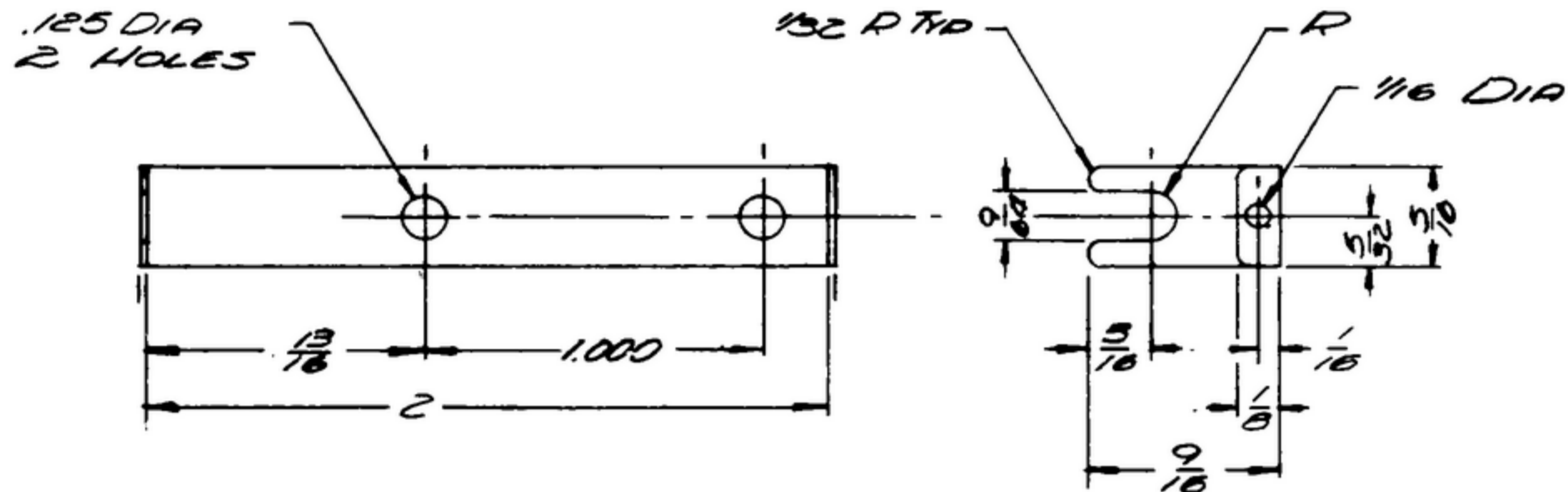


NOTICE: WHEN GOVERNMENT DRAWINGS, SPECIFICATIONS, OR OTHER DATA ARE USED FOR ANY PURPOSE OTHER THAN IN CONNECTION WITH A DEFINITELY RELATED GOVERNMENT PROCUREMENT OPERATION, THE UNITED STATES GOVERNMENT THEREBY INCURS NO RESPONSIBILITY FOR ANY OBLIGATION WHATSOEVER AND THE FACT THAT THE GOVERNMENT MAY HAVE FORMULATED, FURNISHED, OR IN ANY WAY SUPPLIED THE SAID DRAWINGS, SPECIFICATIONS, OR OTHER DATA IS NOT TO BE REGARDED BY REPLICATION OR OTHERWISE AS IN ANY MANNER LIMITING THE HOLDER OR ANY OTHER PERSON OR ORGANIZATION, OR CONVEYING ANY RIGHTS OR PERMISSION TO MANUFACTURE, USE, OR SELL ANY PATENTED INVENTION THAT MAY IN ANY WAY BE RELATED THERETO.

THIS DOCUMENT HAS BEEN PURCHASED BY THE GOVERNMENT AND MAY BE REPRODUCED AND USED IN CONNECTION WITH ANY GOVERNMENT PROCUREMENT OR BARGAINING OPERATION.

* FOR INFORMATION ONLY. CONTRACTOR MAY AT HIS OPTION DEVIATE FROM THESE PROCESS DETAILS.

ORIG ISSUE A		REVISIONS 21 AUG 56	
SYM	DESCRIPTION	DATE	APPROVAL



BERYLLIUM COPPER 25 GA B&S (.017) CONDA PER QQ-C-533.

- NOTES:
1. FINISH: BRIGHT ALLOY PLATE PER ALLOY PROCESS BY HANSON-VAN WINKLE-MUNNING CO, MATAWAN, N.J. OR EQUAL.
 2. INSIDE RADII 1/32 MAX.

QTY	REQ	PREP NO.	DESCRIPTION	DATE	FINISHED SIZE	QTY	NOTE
LIST OF MATERIAL							
			COLLINS RADIO CO CEDAR RAPIDS, IA 08719-PH-55-93				
			SIGNAL CORPS				
			REVIEWED XXX				
			APPROVED R. J. J.				
			DATE 21 AUG 56				
			SCALE 2/1				
UNLESS OTHERWISE SPECIFIED DIMENSIONS ARE IN INCHES TOLERANCES ON FRACTIONS DECIMALS ANGLES ± 1/64 ± .005			CONNECTOR		DEPARTMENT OF THE ARMY SIGNAL CORPS ENGINEERING LABORATORIES FORT MONMOUTH NEW JERSEY		
SM-C-31246							
SM-C-33303	SC-DL-57655						
NEXT ASSY	USED ON						
APPLICATION							

SM-B-34399

WHEN REFERRING TO THIS DRAWING STATE DRAWING NO., APPLICABLE ISSUE SYMBOL, IF ANY, AND DATE.