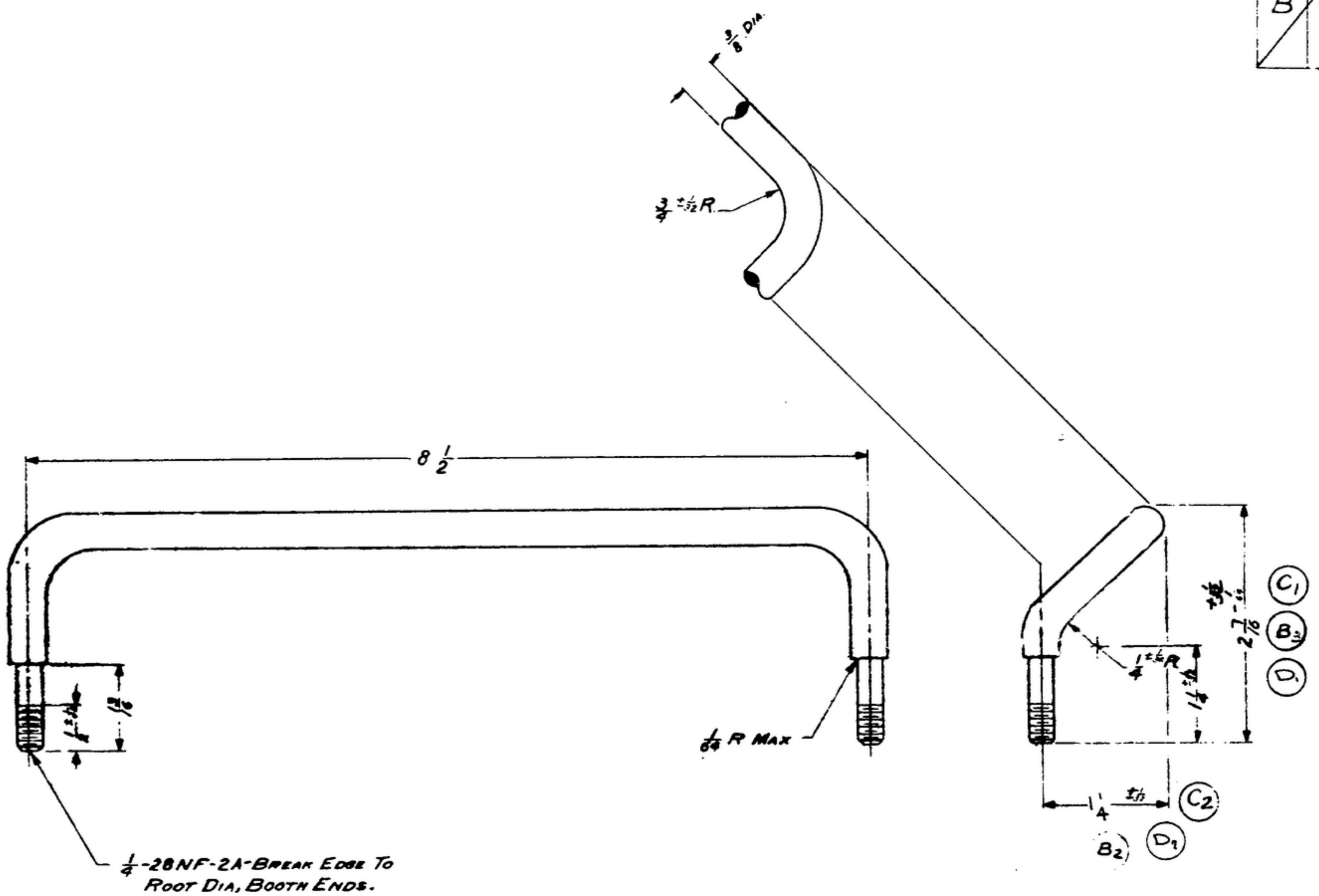


NOTE: WHEN GOVERNMENT DRAWINGS SPECIFICATIONS OR DATA ARE USED IN THE DESIGN OF OTHER THAN GOVERNMENT PROPERTY, THE CONTRACTOR SHALL BE RESPONSIBLE FOR THE PROTECTION OF THE RIGHTS OF THE ORIGINAL DESIGNER. THE CONTRACTOR SHALL BE RESPONSIBLE FOR THE PROTECTION OF THE RIGHTS OF THE ORIGINAL DESIGNER. THE CONTRACTOR SHALL BE RESPONSIBLE FOR THE PROTECTION OF THE RIGHTS OF THE ORIGINAL DESIGNER.

NOTE: *FOR INFORMATION ONLY. CONTRACTOR MAY AT HIS OPTION DEVIATE FROM THE ABOVE PROVISIONS.

*SWE APPROVAL		REVISIONS			
SYM	PR	SYM	DESCRIPTION	DATE	APPROVAL
A	PR 100427	A ₄	A ₁ - RENUMBERED NOTES. A ₂ - ADDED APPL. SM-D-24913+, SC-DL-248775. A ₃ - STEEL WAS TYPE 303 PER SPEC. AN-S-711. A ₄ - ADDED FINISH NOTE # 3.	19 OCT 59	42428-PC-59 -A1-59 REV'D.
B	CA 84833	B ₃	B ₁ - ADDED SURFACE COND. F PER SPEC. B ₂ - WAS 1 1/4 ± 1/32, B ₃ - WAS 2 7/16 ± 1/32	16 AUG 60	42428-PC-59 REV'D.
		C ₁	(1) REVISED DIMS TO AGREE WITH "B" ISSUE	23 MAR 1965	21582-PC-61 REV'D DME
		D ₂	D ₁ 2 7/16 WAS 2 9/16, D ₂ 1 1/4 WAS 1	24 MAY 60	6-00025 REV'D EC-2/A



1/4-28NF-2A-BREAK EDGE TO ROOT DIA, BOTH ENDS.

- NOTES:
- (A₁) 1.- STEEL COMP. 303S PHYSICAL CONDITION - B - SURFACE (B₁) CONDITION - F - PER SPEC MIL-S-7720.
 - (A₃) 2.- FINISHED PART TO BE FREE OF NOTICEABLE BULGES OR INDENTATIONS DUE TO FORMING.
 - (A₄) 3.- FINISH: E 300 PER SPEC. MIL-F-14072.

EC No. 15000328

UNLESS OTHERWISE SPECIFIED		AUTHENTICATION		LIST OF MATERIAL	SIGNAL CORPS ENGINEERING LABORATORIES PORT MONMOUTH NEW JERSEY
DIMENSIONS ARE IN INCHES TOLERANCES ON FRACTIONS DECIMALS ANGLES ± 1/64		DRAWN	TRACED		
		2183	93	HANDLE	SM-C-170492
		PHOTO			
		CHECKED			
		VERIFIED	PD BR		
		APPROVED	PD BR		
		REVIEWED	DME		
		DATE	20 MAY 55	SCALE	1/1
APPLICATION					