

EQUIP. TYPE *R-390A/ARR* EXP. NO.

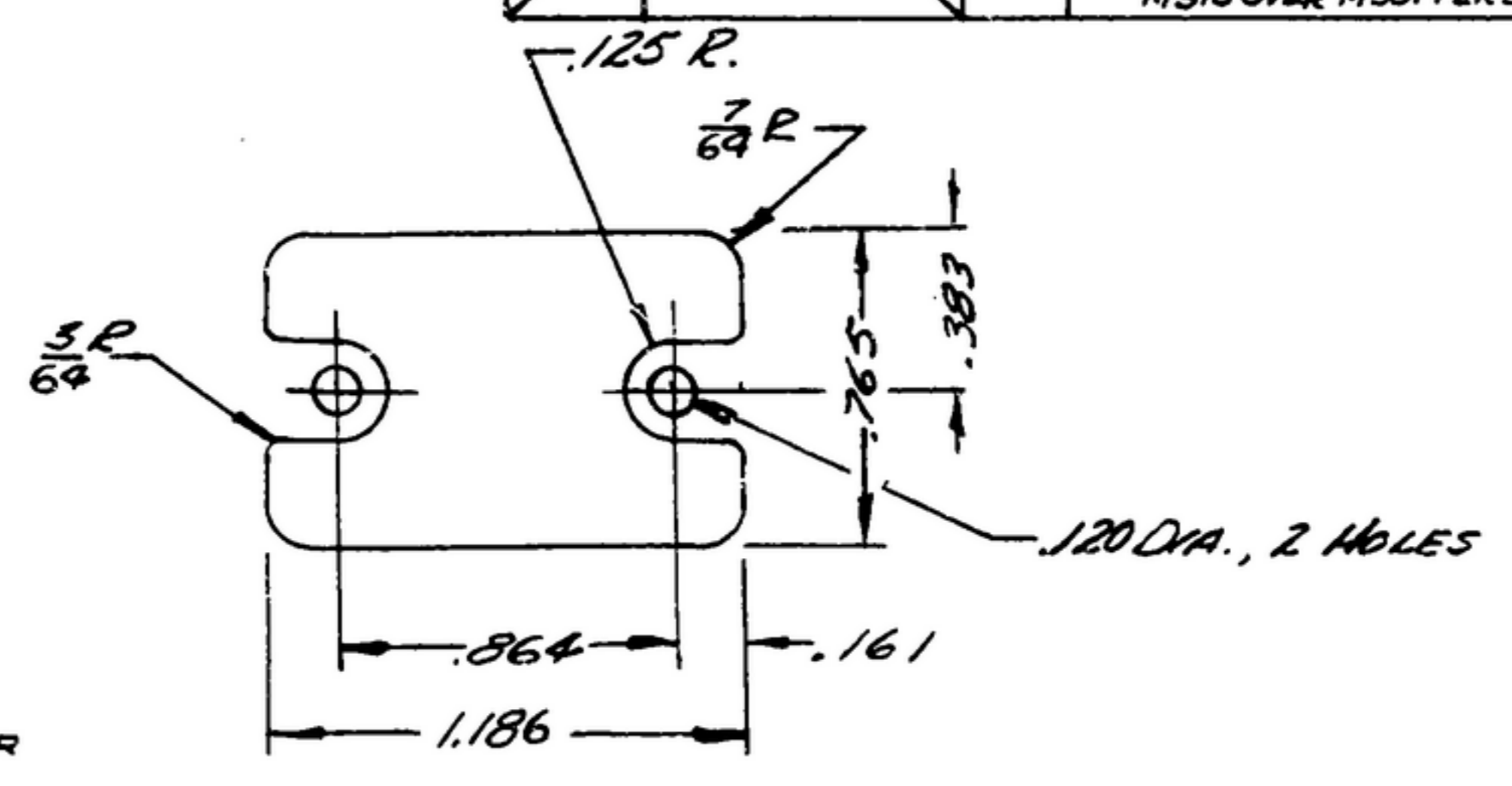
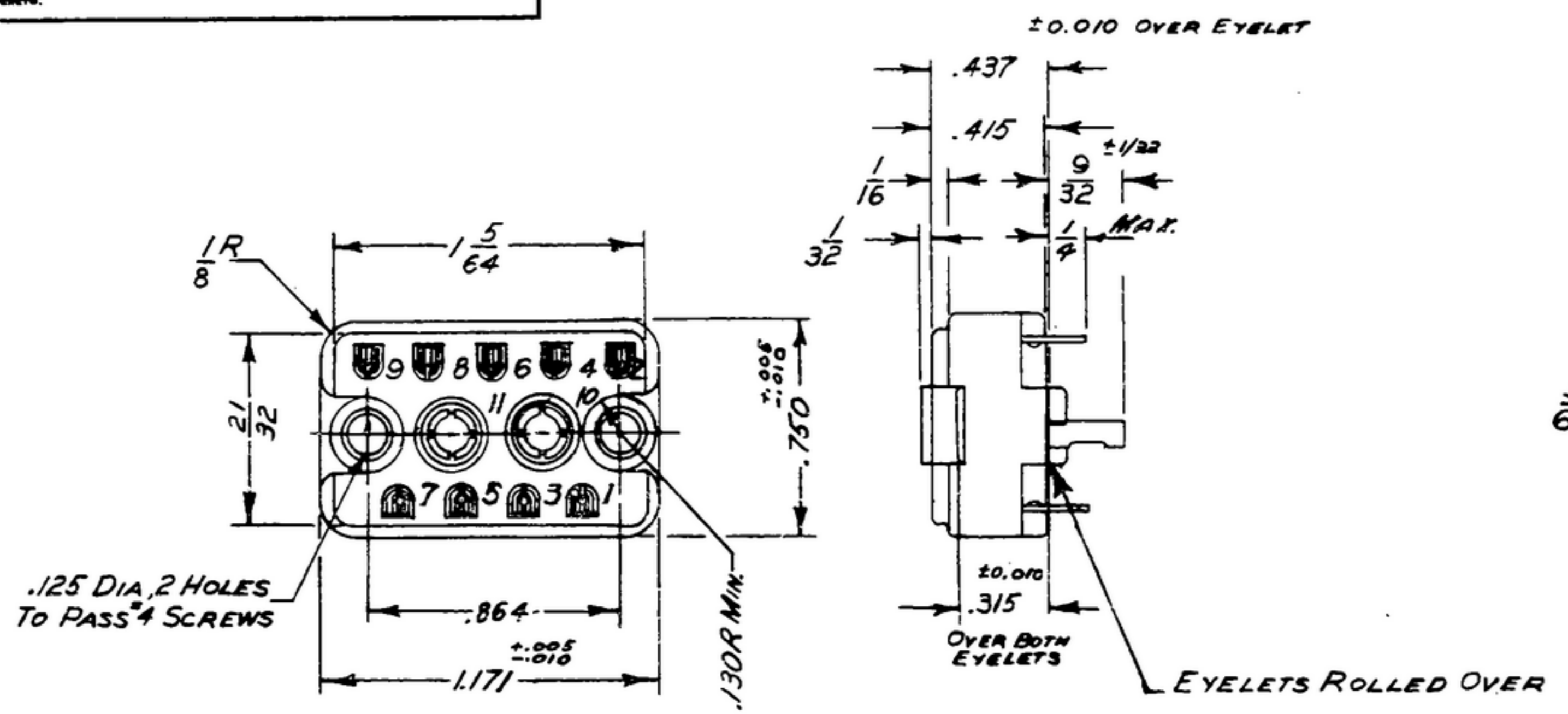
*Coll 372-107600*

NOTICE: WHEN GOVERNMENT DRAWINGS, SPECIFICATIONS, OR OTHER DATA ARE USED FOR ANY PURPOSE OTHER THAN IN CONNECTION WITH A SPECIFICALLY RELATED DESIGN, THE USER ASSUMES ALL LIABILITY FOR ANY INADEQUACIES, OMISSIONS, OR ERRORS THAT MAY BE DISCOVERED BY THE USER. THE GOVERNMENT WILL NOT BE RESPONSIBLE FOR ANY SUCH INADEQUACIES, OMISSIONS, OR ERRORS.

THIS DOCUMENT HAS BEEN PREPARED BY THE GOVERNMENT AND MAY BE REPRODUCED AND USED IN CONNECTION WITH ANY GOVERNMENT PROGRAM OR OPERATION.

\* FOR INFORMATION ONLY. CONTRACTOR MAY AT HIS OPTION DEVIATE FROM THESE PROCESS DETAILS.

X SWE APPROVAL		REVISIONS			
SYM	PR10042-6	SYM	DESCRIPTION	DATE	APPROVAL
		A <sub>2</sub>	A <sub>1</sub> ADDED NOTE 2 A <sub>2</sub> WAS MIL-P-14	15 OCT 59	42428-PC 59-A1-51 REV'D PME
B <sub>2</sub>	CA 85035	B <sub>2</sub>	(1) - ADDED TO NOTE #1 EYELET MAY BE OMITTED ETC. (2) - TERMINAL PLATING WAS M351 OR M310 OVER M351 PER SPEC MIL-F-14072	23 JAN 61	42428-PC REV'D PME



SUGGESTED MOUNTING HOLE

NOTES:  
1. PART MAY BE NO. 126-805-1000, AS SUPPLIED BY AMERICAN PHENOLIC CORP., CHICAGO, ILL., OR EQUAL PROVIDING IT MEETS THE FOLLOWING REQUIREMENTS AND DIMENSIONS SHOWN

- VOLTAGE RATING: 500 VOLTS RMS MAXIMUM AT SEA LEVEL.
- CURRENT RATING: 2 LARGE CONTACTS (.093 DIA.) - 15 AMPERES. (A<sub>2</sub>)  
9 SMALL CONTACTS (.040 DIA.) - 5 AMPERES.
- INSULATION: PHENOLIC IN ACCORDANCE WITH MILITARY SPECIFICATION MIL-M-14, TYPE MFE, OR EQUAL.
- TERMINALS: BERYLLIUM COPPER
- TERMINAL PLATING: M351 PER MIL-F-14072 WITH GOLD FLASH. (B<sub>2</sub>)
- EYELETS: BRASS
- FINISH: M352 PER SPEC MIL-F-14072.
- MARKINGS: TERMINAL NUMBER SHALL BE MOLDED ON FRONT AND REAR OF CASTING AS SHOWN AND SHALL BE IN ACCORDANCE WITH SPEC MIL-M-13231.
- CONTACTS SHALL BE A 2 TIME STYLE (\*APPROVED BY CONTRACTOR'S ENGINEERING DEPARTMENT. ANY SUBSEQUENT MODIFICATION SHALL BE RESUBMITTED FOR APPROVAL PRIOR TO USAGE ON PRODUCTION ITEMS).
- APPROXIMATE HOLE IN CONTACTS: SMALL CONTACTS - .062 X .125  
LARGE CONTACTS - .085 X .125
- (B<sub>1</sub>) EYELET MAY BE OMITTED IF 0.437 AND 0.315 DIMENSIONS ARE MAINTAINED.
- (A<sub>1</sub>) 2. CONNECTORS SHALL MEET THE APPLICABLE REQUIREMENTS OF MIL-C-8384 EXCEPT WHERE AMENDED BY THIS SPECIFICATION

\* WHEN PART NO. APPEARS AS 559 0293 9-3, MILITARY SOURCE INSPECTION IS REQUIRED.

COLLINS PART NO.	ITEM	REQD	PART NO.	DESCRIPTION	MATL	MATL SPEC.
LIST OF MATERIAL						
COLLINS PART NO. 559 0293 003						

DRAWN <i>ECS</i>			CHECKED <i>Klan</i>	APPROVED	COLLINS-RADIO-00: 14214-PH-51-93	CONNECTOR	DEPARTMENT OF THE ARMY SIGNAL CORPS ENGINEERING LABORATORIES FORT MONMOUTH NEW JERSEY  SM-C-283192
UNLESS OTHERWISE SPECIFIED: DECIMAL DIMENSIONS INCLUDING HOLE SIZES MAY VARY ±.008 FRACTIONAL DIMENSIONS INCLUDING HOLE SIZES MAY VARY ±1/64 MACHINED ANGLES MAY VARY ±1° SHARPER ANGLES MAY VARY ±.25° BROKEN ANGLES MAY VARY ±1°			558-045500A-2		SIGNAL CORPS		
ECCENTRICITY BETWEEN ANY DIAMETERS ON THE SAME CENTERLINE SHALL NOT EXCEED .040 TOTAL INDICATOR READING. ALL DIMENSIONS ARE FINISH DIMENSIONS INCLUDING APPLIED FINISH AND ARE GIVEN IN INCHES.			558-045500A-2		REVIEWED <i>PME</i>		
APPLICATION			558-045500A-2		APPROVED <i>HLY</i> <i>PME</i>		
COLLINS NO.	SYM	NEXT ASSY	USED ON	DATE/3 JAN 56	SCALE 2/1		