

EQUIP. TYPE *FR390A/URA* EXP. NO.

COL. 917 H20/H22-00

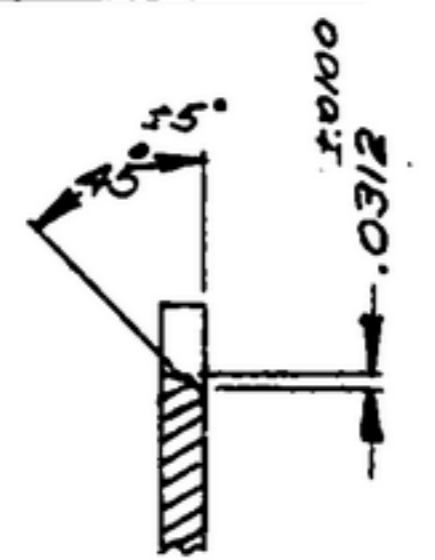
NOTICE: WHEN GOVERNMENT SPECIFICATIONS, OR OTHER DATA ARE USED FOR ANY PURPOSE OTHER THAN IN CONNECTION WITH A DEFINITELY RELATED GOVERNMENT PROCUREMENT OPERATION, THE USER STATES GOVERNMENT PROPERTY IS NOT TO BE CONSIDERED AS PROPERTY OF THE GOVERNMENT. THE USER STATES GOVERNMENT PROPERTY IS NOT TO BE CONSIDERED AS PROPERTY OF THE GOVERNMENT. THE USER STATES GOVERNMENT PROPERTY IS NOT TO BE CONSIDERED AS PROPERTY OF THE GOVERNMENT.

THIS DOCUMENT HAS BEEN PREPARED BY THE GOVERNMENT AND MAY BE REPRODUCED AND USED IN CONNECTION WITH ANY GOVERNMENT PROCUREMENT OR MAINTENANCE OPERATION.

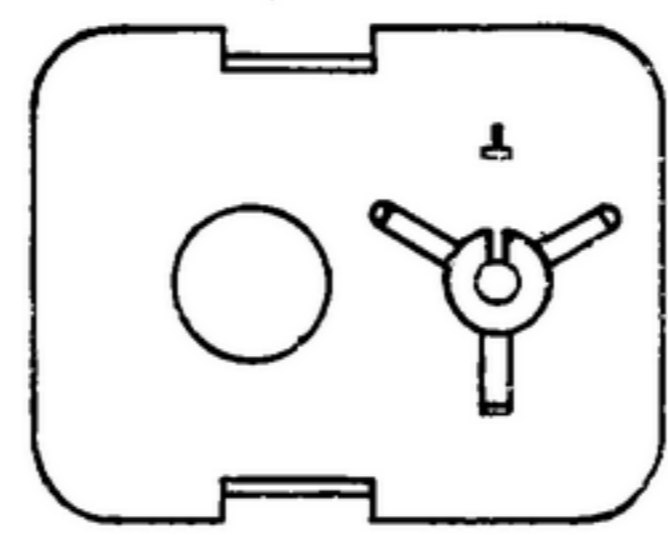
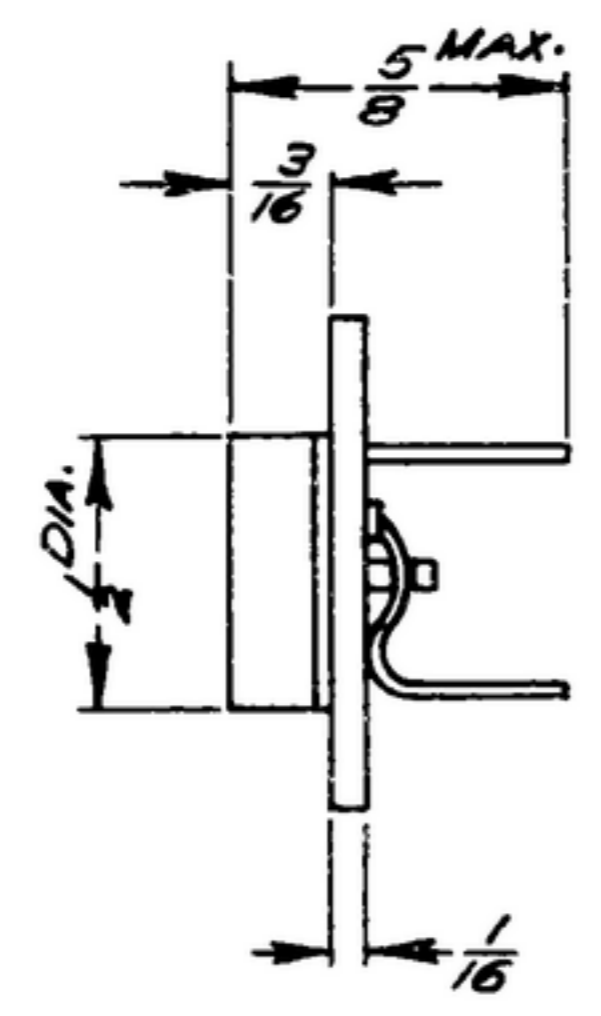
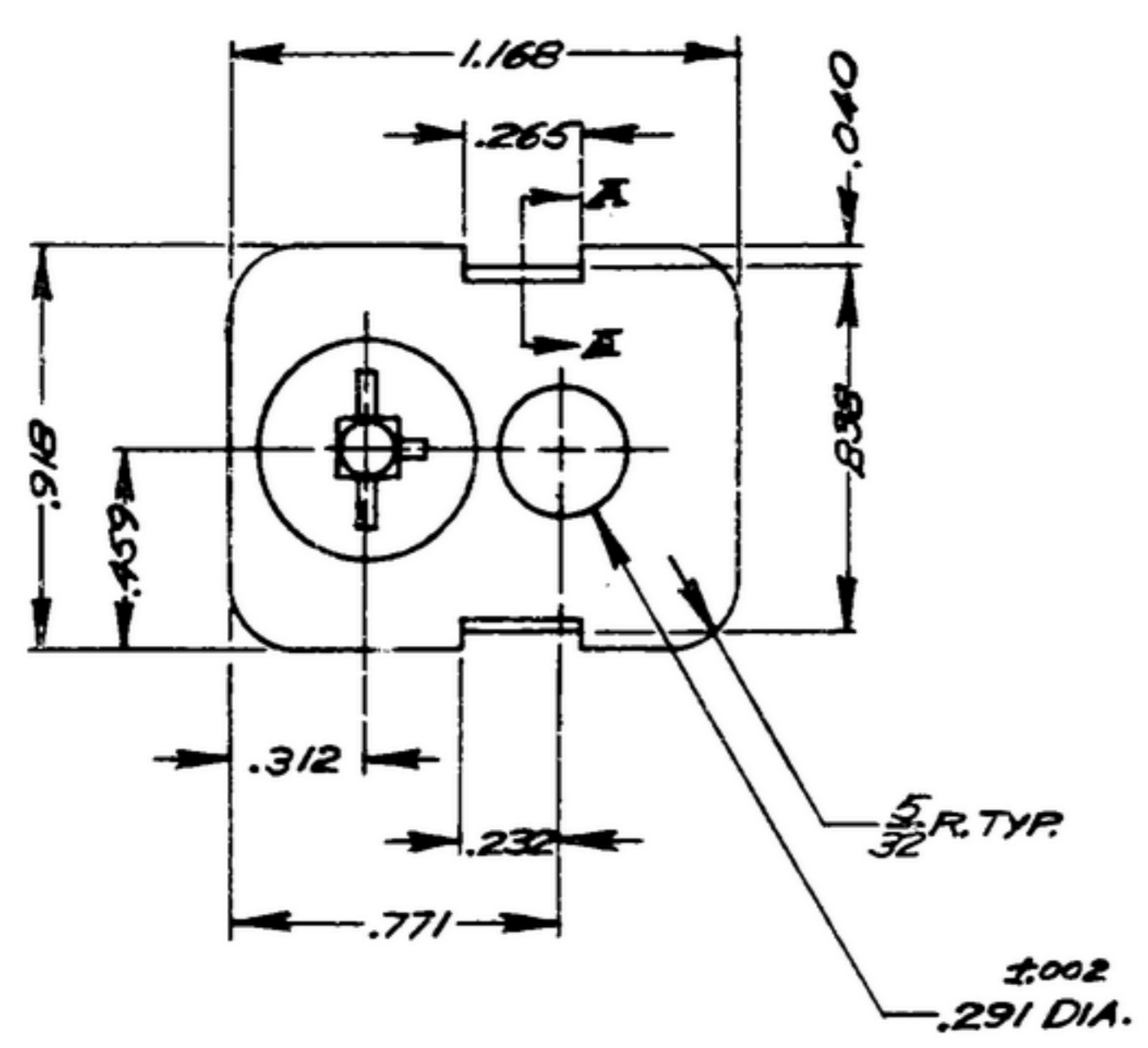
*FOR INFORMATION ONLY, CONTRACTOR MAY AT HIS OPTION DEVIATE FROM THESE PROCESS DETAILS.

*SWE APPROVAL
SYM PR 10042-12

REVISIONS			
SYN	DESCRIPTION	DATE	APPROVAL
A ₃	A ₁ IN MATERIAL NOTE: DELETE "RUBBER SILICONE," GRADE 810 WAS 782. A ₂ ADDED TEMP COEFF. - NOTE. A ₃ IN TABLE ADDED ERIE PART NO.	17 NOV 59	42428-PC-55 -A1-51 REV'D PME



SECTION A-A
2 PLACES



ERIE PART NO.	COLLINS PART NO.	DASH NO.	CAPACITY μF			TEMPERATURE	
			MAX	MIN	MIN	MAX	COEFFICIENT
3188 ITEM 1	559-0412-003	SM-C-283230-1	3.0	12.0	15.0	ZERO PPM/°C	
3188 ITEM 2	559-0413-003		2	5.0	25.0	37.5	
3188 ITEM 3	55-0414-003		3	8.0	50.0	75.0	N750 PPM/°C

NOTES:
1. PART MAY BE TYPE 3188, SUPPLIED BY ERIE RESISTOR CORP., ERIE, PA., OR EQUAL, PROVIDING IT MEETS THE FOLLOWING REQUIREMENTS AND DIMENSIONS SHOWN.

(A₁) DESCRIPTION: VARIABLE CERAMIC CAPACITOR ON SPECIAL MOUNTING BOARD.
MATERIAL: PHENOLIC-PANELYTE GRADE 810, AS SUPPLIED BY ST. REGIS PAPER CO., PANELYTE DIV., RICHMOND, IND., OR EQUAL.
WORKING VOLTAGE: 350 VDC.
FLASH TEST: 700 VDC.
INITIAL Q FACTOR AT 1 MC: 500 MINIMUM.
INITIAL LEAKAGE RESISTANCE: 10,000 MEGOHM, MINIMUM.
ENVIRONMENTAL TESTS: CAPACITORS SHALL BE CAPABLE OF WITHSTANDING MOISTURE RESISTANCE TESTS PER SPEC MIL-C-81.
CENTER SHAFT SHALL HAVE SCREWDRIVER SLOT PARALLEL TO SLOT IN CERAMIC, ±20° AND SHALL BE SOLDERED TO ROTOR.

(A₂) TEMPERATURE COEFFICIENT AND CAPACITANCE DRIFT PER MIL-C-81.

COLLINS NO.	QTY	NEXT ASSY	USED ON
558 0450 004	1	SM-D-249099	
558 0449 004	1	SM-D-249098	
558 0448 004	1	SM-D-249097	
558 0447 004	1	SM-D-249096	
558 0446 004	1	SM-D-249095	
558 0445 004	1	SM-D-249094	
558 0444 004	1	SM-D-249093	
558 0443 004	1	SM-D-249092	50-DL-248725

DRAWN *F.B.B.* CHECKED *Wm* APPROVED
UNLESS OTHERWISE SPECIFIED:
DECIMAL DIMENSIONS INCLUDING HOLE SIZES MAY VARY ±.005
FRACTIONAL DIMENSIONS INCLUDING HOLE SIZES MAY VARY ±1/64
MACHIN'G ANGLES MAY VARY ±.1°
SHEAR ANGLES MAY VARY ±.25°
BROKEN ANGLES MAY VARY ±.1°
ECCENTRICITY BETWEEN ANY DIAMETERS ON THE SAME CENTERLINE SHALL NOT EXCEED .010 TOTAL INDICATOR READING.
ALL DIMENSIONS ARE FINISH DIMENSIONS INCLUDING APPLIED FINISH AND ARE GIVEN IN INCHES.

COLLINS PART NO.	REV.	ISS.	PART NO.	DESCRIPTION	QTY	UNIT
LIST OF MATERIAL						
						COLLINS PART NO. 559-0412-003
				14216-PH-5193	CAPACITOR-VARIABLE	
				SIGNAL CORPS	DEPARTMENT OF THE ARMY SIGNAL CORPS ENGINEERING LABORATORIES	
				REVIEWED <i>PME</i>	FORT MONMOUTH NEW JERSEY	
				APPROVED <i>HLV</i>	SM-C-283230	
				<i>PME</i>		
				DATE 7 FEB '56	SCALE 2/1	