

FOR INFORMATION ONLY, CONTRACTOR MAY AT HIS OPTION DEVIATE FROM THESE PROCESS DETAILS

TABLE I WIRE ROUTING TABLE

Table with columns: WIRE NO, ITEM NO, BREAKOUT NO, OTHER END, WIRE COLOR. Contains multiple columns of wire routing data.

CONNECTOR WIRING TABLES

Table B1: Connector wiring table with columns: TERM, NO, COLOR.

Table B19: Connector wiring table with columns: TERM, NO, COLOR.

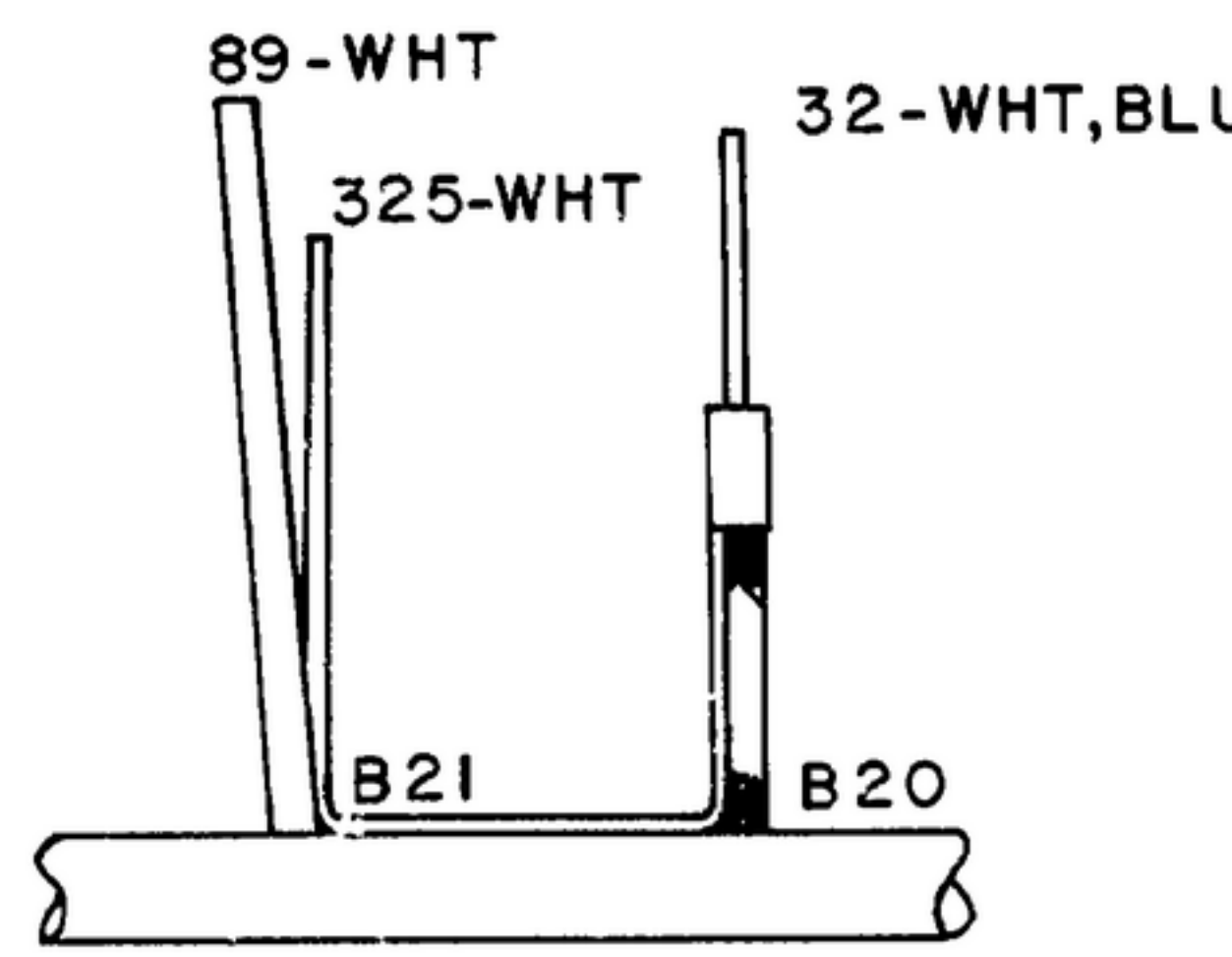
Table B29: Connector wiring table with columns: TERM, NO, COLOR.

Table B31: Connector wiring table with columns: TERM, NO, COLOR.

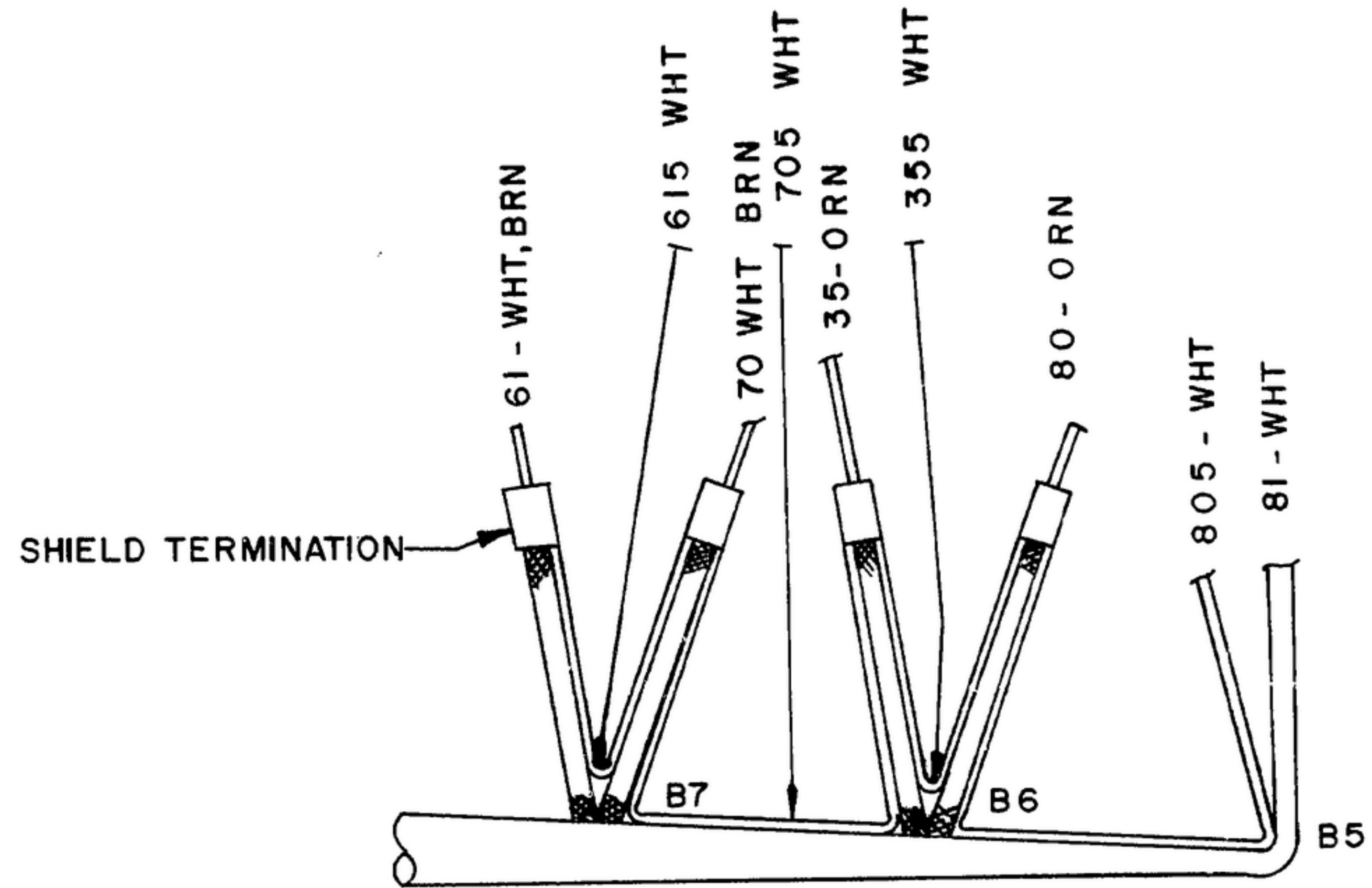
Table B2: Connector wiring table with columns: TERM, NO, COLOR.

Table B4: Connector wiring table with columns: TERM, NO, COLOR.

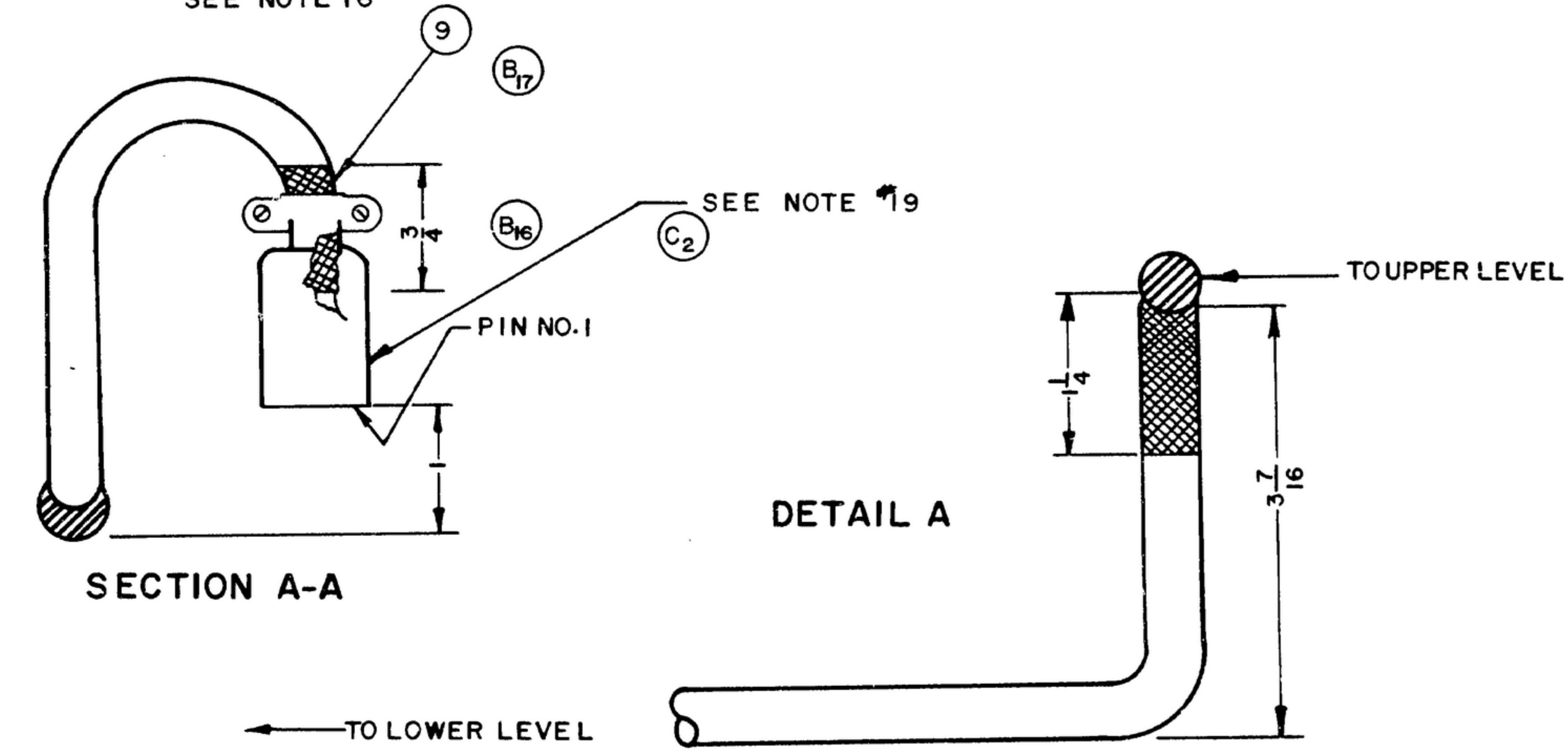
Table B28: Connector wiring table with columns: TERM, NO, COLOR.



DETAIL C NOT TO SCALE SEE NOTE 16



DETAIL B NOT TO SCALE SEE NOTE 16



SECTION A-A

DETAIL A

Table with columns: SVN, PR 10042-22, SYM, DESCRIPTION, DATE, APPROVAL. Contains revision history.

SEE NOTE 8

SEE NOTE 14

SEE NOTE 2

SEE NOTE 19

Table with columns: COLLINS PART NO., RECD, PART NO., DESCRIPTION, MAT'L. Includes LIST OF MATERIAL and application information.

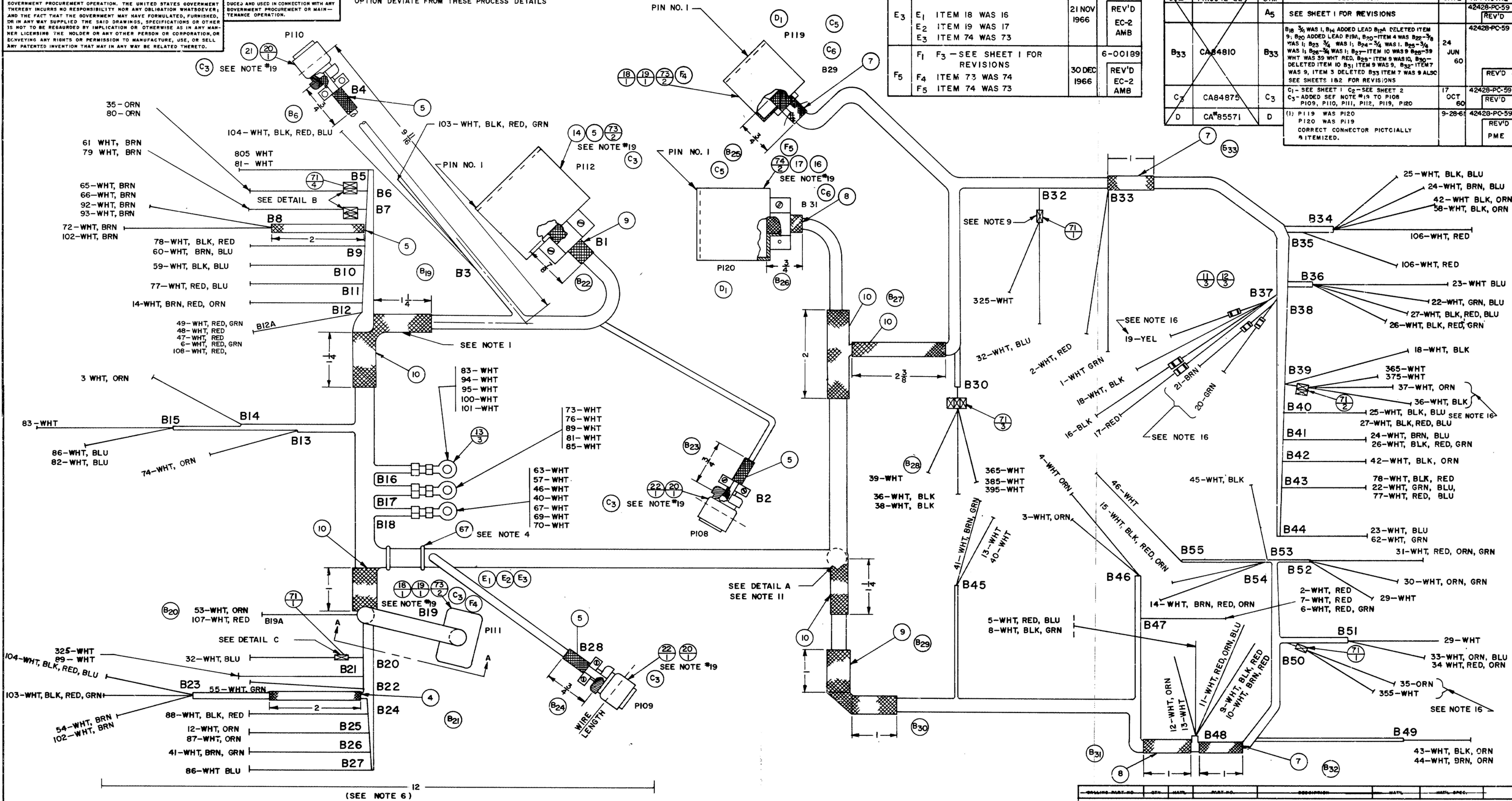
NOTICE - WHEN GOVERNMENT DRAWINGS, SPECIFICATIONS, OR OTHER DATA USED FOR ANY PURPOSE OTHER THAN IN CONNECTION WITH A DEFINITELY RELATED GOVERNMENT PROCUREMENT OPERATION, THE UNITED STATES GOVERNMENT THEREBY INCURS NO RESPONSIBILITY NOR ANY OBLIGATION WHATSOEVER, AND THE FACT THAT THE GOVERNMENT MAY HAVE FORMULATED, FURNISHED, OR IN ANY WAY SUPPLIED THE SAID DRAWINGS, SPECIFICATIONS OR OTHER DATA IS NOT TO BE REGARDED BY IMPLICATION OR OTHERWISE AS IN ANY MANNER LICENSING THE HOLDER OR ANY OTHER PERSON OR CORPORATION, OR CONVEYING ANY RIGHTS OR PERMISSION TO MANUFACTURE, USE, OR SELL ANY PATENTED INVENTION THAT MAY IN ANY WAY BE RELATED THERETO.

THIS DOCUMENT HAS BEEN PURCHASED BY THE GOVERNMENT AND MAY BE REPRODUCED AND USED IN CONNECTION WITH ANY GOVERNMENT PROCUREMENT OR MAINTENANCE OPERATION.

* FOR INFORMATION ONLY CONTRACTOR MAY AT HIS OPTION DEVIATE FROM THESE PROCESS DETAILS

E3	E1 ITEM 18 WAS 16 E2 ITEM 19 WAS 17 E3 ITEM 74 WAS 73	21 NOV 1966	REV'D EC-2 AMB
F5	F1 F3 - SEE SHEET 1 FOR REVISIONS F4 ITEM 73 WAS 74 F5 ITEM 74 WAS 73	30 DEC 1966	REV'D EC-2 AMB

SWE APPROVAL		REVISIONS			
SYM	PRIO042-22	SYM	DESCRIPTION	DATE	APPROVAL
		A5	SEE SHEET 1 FOR REVISIONS		42428-PC-59 REV'D
B33	CA84810	B33	B18 3/4 WAS 1; B19 ADDED LEAD B19A DELETED ITEM 9; B20 ADDED LEAD B19A, B20-ITEM 4 WAS B20-7/8 WAS 1; B23 3/4 WAS 1; B24-3/4 WAS 1; B25-3/4 WAS 1; B26-3/4 WAS 1; B27-ITEM 10 WAS 9; B28-3/4 WHT WAS 39 WHT RED; B29-ITEM 9 WAS 10; B30-DELETED ITEM 10 B31 ITEM 9 WAS 9; B32-ITEM 7 WAS 9; ITEM 3 DELETED B33 ITEM 7 WAS 9 ALSO SEE SHEETS 1&2 FOR REVISIONS	24 JUN 60	42428-PC-59 REV'D
C3	CA84875	C3	C1-SEE SHEET 1 C2-SEE SHEET 2 C3-ADDED SEE NOTE #19 TO P108 P109, P110, P111, P112, P119, P120	17 OCT 60	42428-PC-59 REV'D
D	CA85571	D	(1) P119 WAS P120 P120 WAS P119 CORRECT CONNECTOR PICTorially ITEMIZED.	9-28-61	42428-PC-59 REV'D PME



DRAWN	CHECKED	APPROVED	14214-PH-51-93
			SIGNAL CORPS
			REVIEWED PME
			APPROVED HLT
			PME
			DATE 12 MAR 56
			SCALE 1/1

558-0495-005	SM-L-249141	SC-DL-48775
CALLING NO. 074	NEXT ASSY	USED ON

LIST OF MATERIAL	CALLING PART NO. 558-0495-004
DEPARTMENT OF THE ARMY SIGNAL CORPS ENGINEERING LABORATORIES FORT MONMOUTH NEW JERSEY	
SM-D-249103 SHEET 3	

WHEN REFERRING TO THIS DRAWING STATE DRAWING NO, APPLICABLE ISSUE SYMBOL IF ANY, AND DATE