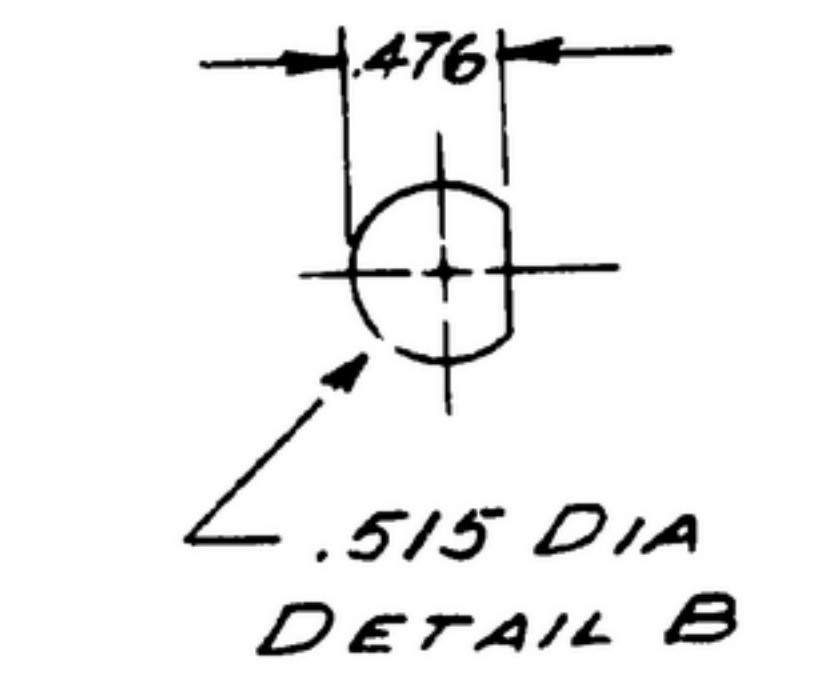
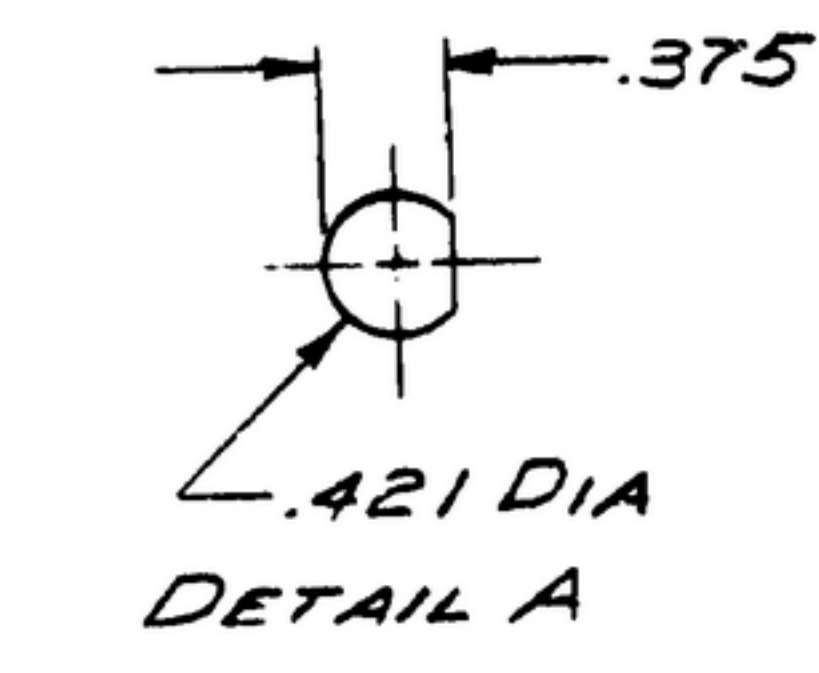
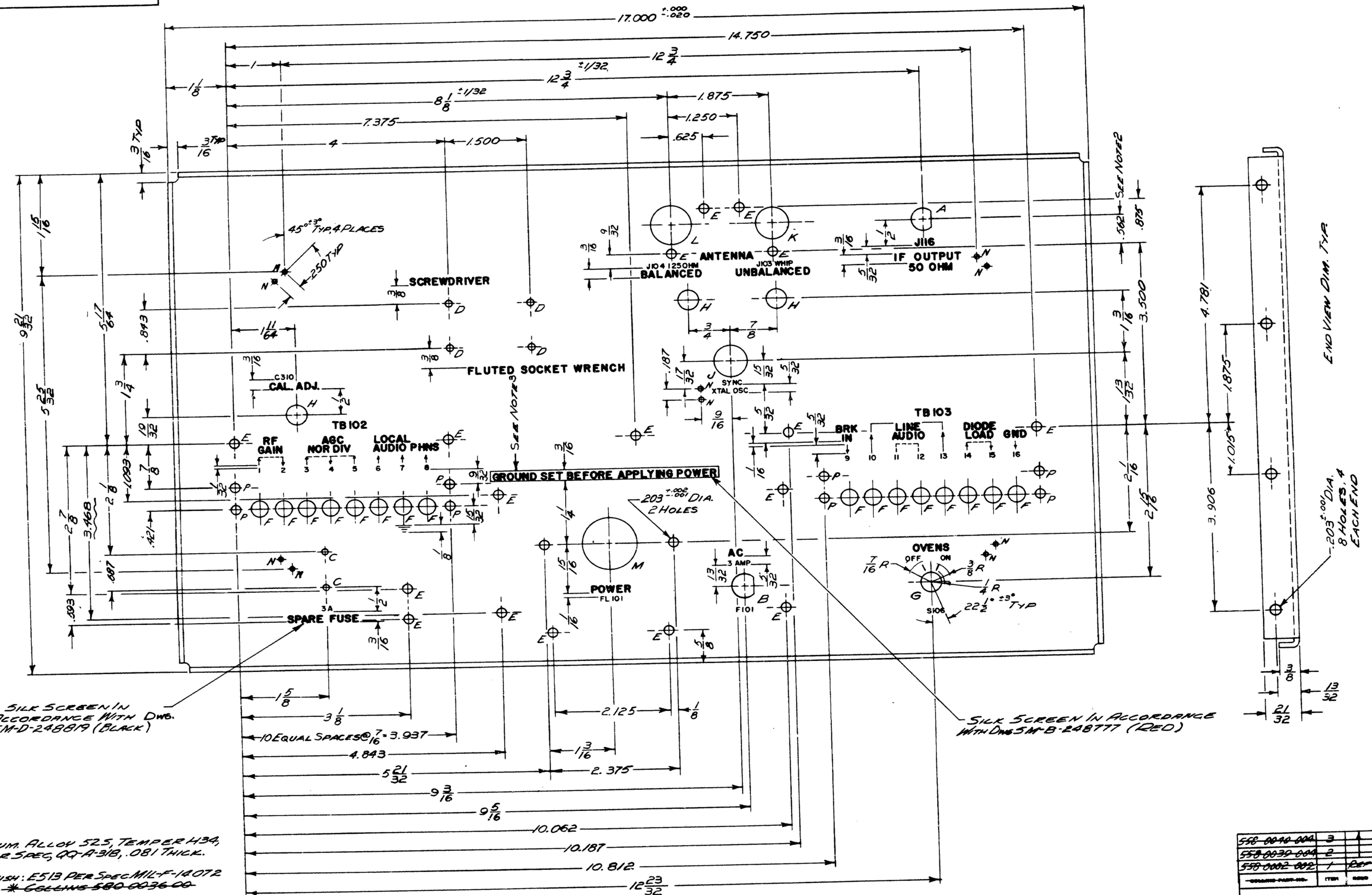


REVISIONS			
BYN	DESCRIPTION	DATE	APPROVAL
A1	(1) "E" HOLES WERE 25 REQD, "P" HOLES ADDED.	9 JUL 1964	EJD JM P.D.3.

NOTICE: WHEN GOVERNMENT SPECIFICATIONS, OR OTHER DATA ARE USED IN ANY PORTION OF THIS DRAWING, THE UNITED STATES GOVERNMENT ASSUMES NO LIABILITY FOR ANY INADEQUACIES, ERRORS, OR OMISSIONS, OR FOR ANY DAMAGE TO PERSONS OR PROPERTY, OR FOR ANY CONSEQUENCES ARISING FROM THE USE OF SUCH DATA IN ANY MANNER. THE USER OF SUCH DATA SHALL BE RESPONSIBLE FOR OBTAINING NECESSARY PERMISSIONS FROM THE ORIGINAL SOURCE OF SUCH DATA.

THIS DOCUMENT HAS BEEN PREPARED BY THE PERSONNEL OF THE SIGNAL CORPS ENGINEERING LABORATORIES, FORT MONMOUTH, NEW JERSEY, UNDER CONTRACT WITH THE SIGNAL CORPS ENGINEERING LABORATORIES, FORT MONMOUTH, NEW JERSEY.

FOR INFORMATION ONLY. CONTRACTOR MAY AT HIS OPTION DEVIATE FROM THESE PROCESS DETAILS.



(A1)

HOLE	DESCRIPTION	REQD
A	SEE DETAIL A	1
B	SEE DETAIL B	1
C	.099 ± .003 DIA	2
D	.140 DIA	4
E	.171 DIA	17
F	5/16 DIA	16
G	.359 DIA	1
H	3/8 DIA	3
J	.625 DIA	1
L	.781 DIA	1
M	1 DIA	1
N	.109 DIA	10
P	.215 DIA	8

SILK SCREEN IN ACCORDANCE WITH DWG. SM-D-248819 (BLACK)

SILK SCREEN IN ACCORDANCE WITH DWG. SM-B-248777 (RED)

ALUM. ALLOY 525, TEMPER H34, PER SPEC. QQ-A-318, .081 THICK.
FINISH: E513 PER SPEC. MIL-F-14072
* COLLINS 580 0036 00

NOTES:
1. ALL INSIDE BEND RADII 5/64 MAX, CORNER RELIEF RADII 1/8.
2. TOLLRANCE APPLIES TO "X" & "Z" HOLES ONLY, "A" HOLE MAY VARY ± 1/32.
3. SILK SCREENING TO BE BLACK AND/OR RED LOCATED AS SHOWN. MARKINGS SHALL MEET TEST REQUIREMENTS OF SPEC. MIL-N-13231.
* 4. SILK SCREENING IN ACCORDANCE WITH COLLINS SPEC. 580 0096 00. USING TOOLS MADE FROM DRAWINGS 558 0002 002 (RED), 558 0039 004 & 558 0040 004 (BLACK)

COLLINS PART NO.	QTY	REQD	PART NO.	DESCRIPTION	MATL.	MATL. SPEC.
558 0040 004	3		SM-D-248820	SILK SCREEN - REAR PANEL		
558 0039 004	2		SM-D-248819	SILK SCREEN - REAR PANEL		
558 0002 002	1		SM-B-248777	SILK SCREEN - REAR PANEL		

LIST OF MATERIAL - COLLINS PART NO. 558 0009 004

DRAWN ECS	CHECKED Rm	APPROVED	COLLINS PART NO. MCM-PN-51-93	DEPARTMENT OF THE ARMY SIGNAL CORPS ENGINEERING LABORATORIES FORT MONMOUTH NEW JERSEY
UNLESS OTHERWISE SPECIFIED: DECIMAL DIMENSIONS INCLUDING HOLE SIZES MAY VARY ± .005 FRACTIONAL DIMENSIONS INCLUDING HOLE SIZES MAY VARY ± 1/64 MACHINED ANGLES MAY VARY ± 1° SWEARED ANGLES MAY VARY ± .5° BROKEN ANGLES MAY VARY ± 1° CONCENTRICITY BETWEEN ANY DIAMETERS ON THE SAME CENTERLINE SHALL NOT EXCEED .010 TOTAL INDICATOR READING. ALL DIMENSIONS ARE FROM DIMENSIONS INCLUDING APPLIED FINISH AND ARE GIVEN IN INCHES.			REVIEWED PME	SM-D-249137
DATE: 5 MAR 56			SCALE: 1/1	SHEET 10 OF 25 SHEETS

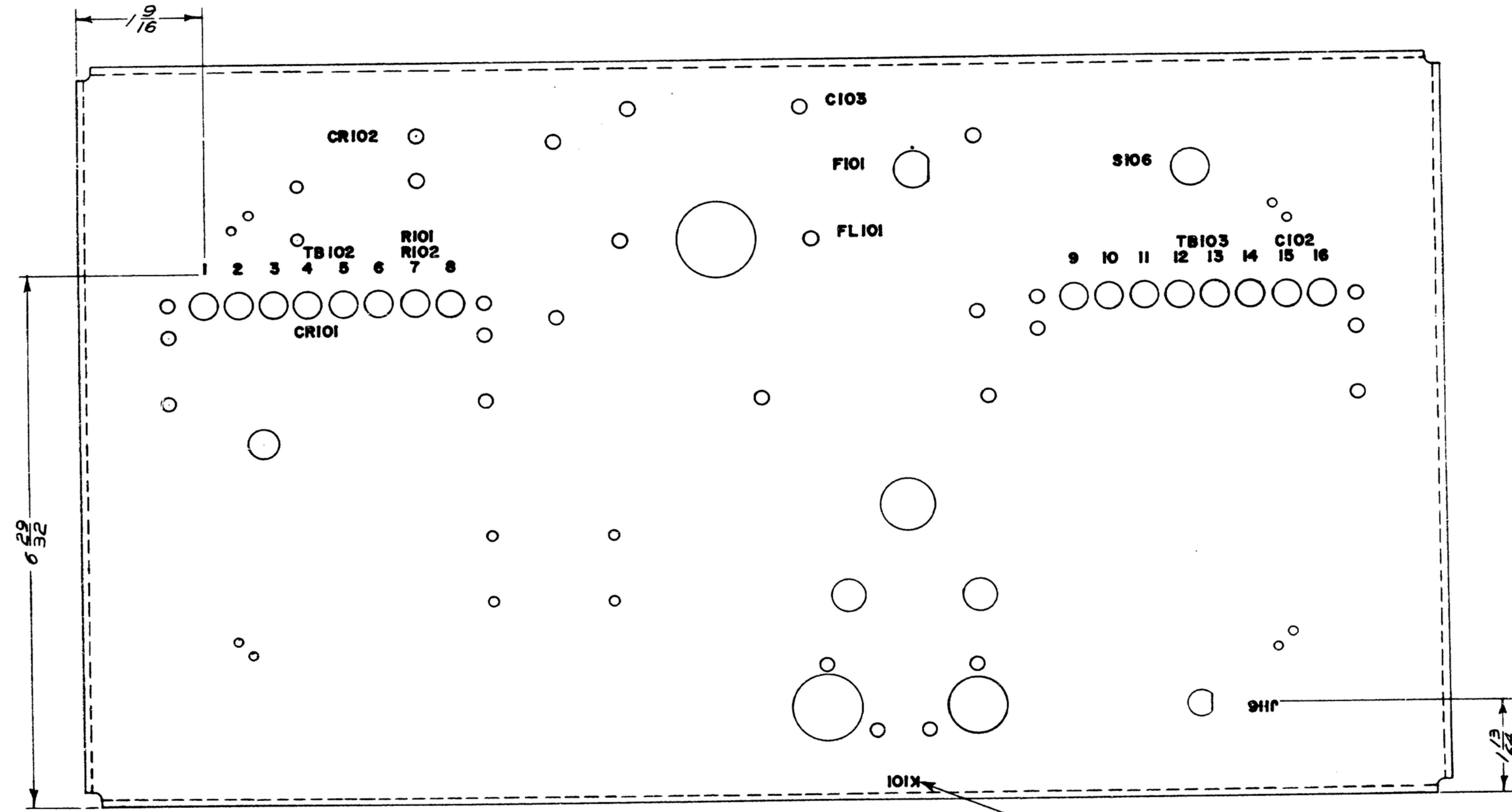
WHEN REFERRING TO THIS DRAWING STATE DRAWING NO., APPLICABLE ISSUE SYMBOL, IF ANY, AND DATE

NOTES: THIS DRAWING SHOWS DIMENSIONS, SPECIFICATIONS, OR OTHER DATA AND DOES NOT PROVIDE OTHER DATA OR INFORMATION WITH A COMPLETELY ACCURATE REPRODUCTION OF THE ORIGINAL DRAWING. THE USER MUST VERIFY THE ACCURACY OF THE INFORMATION AND THE FACT THAT THE INFORMATION MAY HAVE BEEN FORMULATED, PROVIDED, OR IN ANY WAY DERIVED BY THE DRAWING ENGINEER, OR ANY OTHER PERSON, DOES NOT CONSTITUTE A WARRANTY OR GUARANTEE OF ANY KIND, EITHER AS TO THE ACCURACY OF THE INFORMATION OR AS TO THE RESULTS OF ANY USE THEREOF. THE USER SHALL BE RESPONSIBLE FOR THE PROPER USE OF THE INFORMATION AND FOR THE RESULTS OF ANY USE THEREOF.

THIS DRAWING WAS REPRODUCED BY THE GOVERNMENT AND MAY BE REPRODUCED AND USED IN CONNECTION WITH ANY GOVERNMENT PROCUREMENT OR CONTRACTING OPERATION.

*FOR INFORMATION ONLY. CONTRACTOR MAY AT HIS OPTION DEVIATE FROM THESE PROCESS DETAILS.

REVISIONS		
SYM	DESCRIPTION	DATE APPROVAL
<i>A1</i>		<i>9 JUL 1964 EJB JM E.D.B.</i>



SILK SCREEN IN ACCORDANCE WITH DWG SM-D-248820 (BLACK)

COLLINE PART NO.	QTY	UNIT	REVISION	DATE	APPROVAL
LIST OF MATERIAL					
COLLINE PART NO. <i>5107916-003</i>					

DRAWN <i>ECS</i>		CHECKED <i>DL</i>		APPROVED	
UNLESS OTHERWISE SPECIFIED: DECIMAL DIMENSIONS INCLUDING HOLE SIZES MAY VARY ±.005 FRACTIONAL DIMENSIONS INCLUDING HOLE SIZES MAY VARY ±1/64 MACHINED ANGLES MAY VARY ±.1° BEVELLED ANGLES MAY VARY ±.25° BROKEN ANGLES MAY VARY ±.1° ECCENTRICITY BETWEEN ANY DIAMETERS ON THE SAME CENTERLINE SHALL NOT EXCEED 1/10 TOTAL INDICATOR READING. ALL DIMENSIONS ARE FINISH DIMENSIONS INCLUDING APPLIED FINISH AND ARE GIVEN IN INCHES.					
COLLINE NO. <i>5107916-003</i>		NEXT ASSY. <i>SM-D-249137</i>		USED ON <i>DL-248715</i>	
APPLICATION					
COLLINE RADIO CO. 1421A-PH-51-93 SIGNAL CORPS				DEPARTMENT OF THE ARMY SIGNAL CORPS ENGINEERING LABORATORIES FORT MONMOUTH NEW JERSEY	
REVIEWED <i>PME</i> APPROVED <i>HL Y</i> <i>PME</i>				<i>PANEL-REAR</i>	
DATE <i>15 MAR 56</i> SCALE <i>1/1</i>					
				<i>SM-D-249137</i> SHEET	