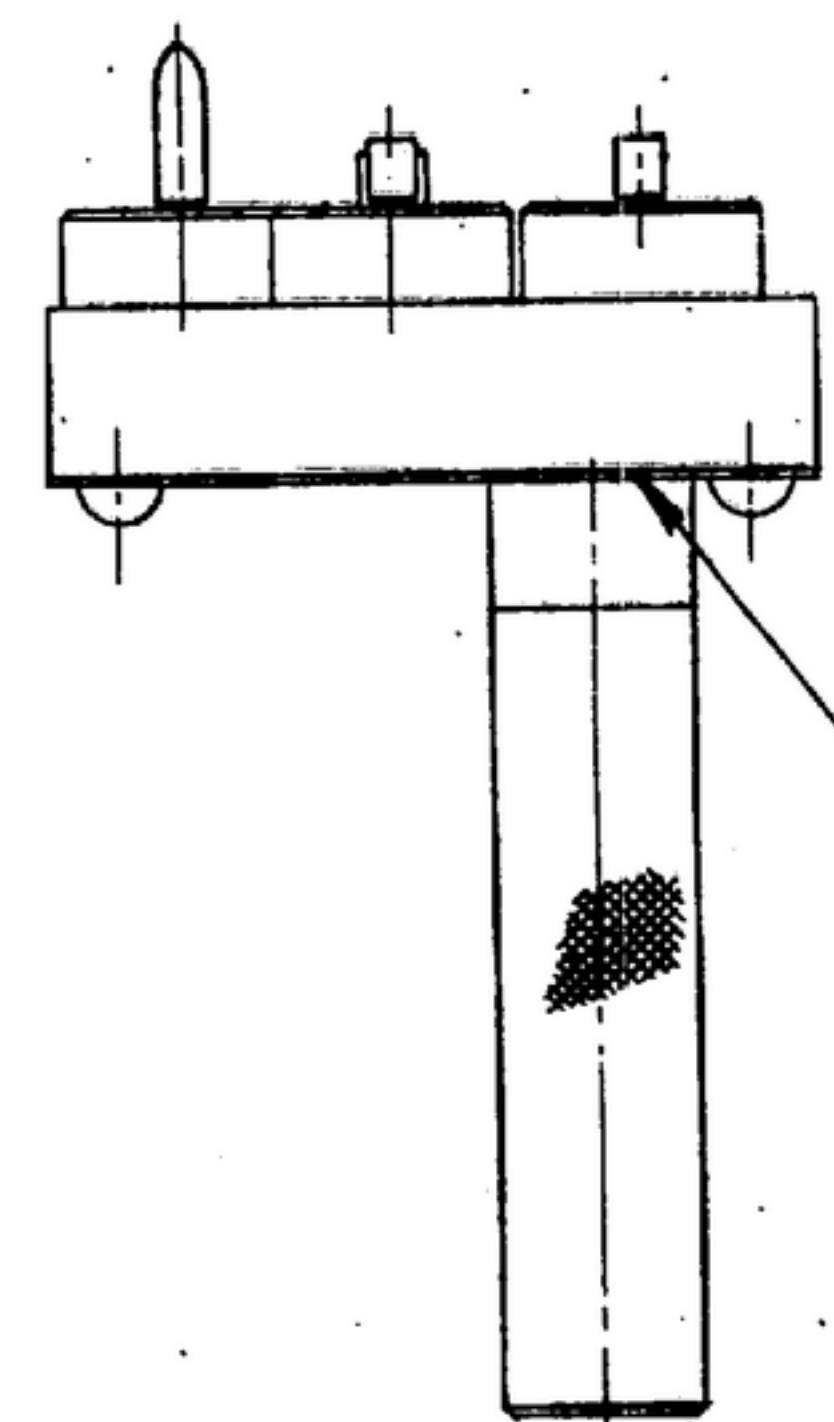
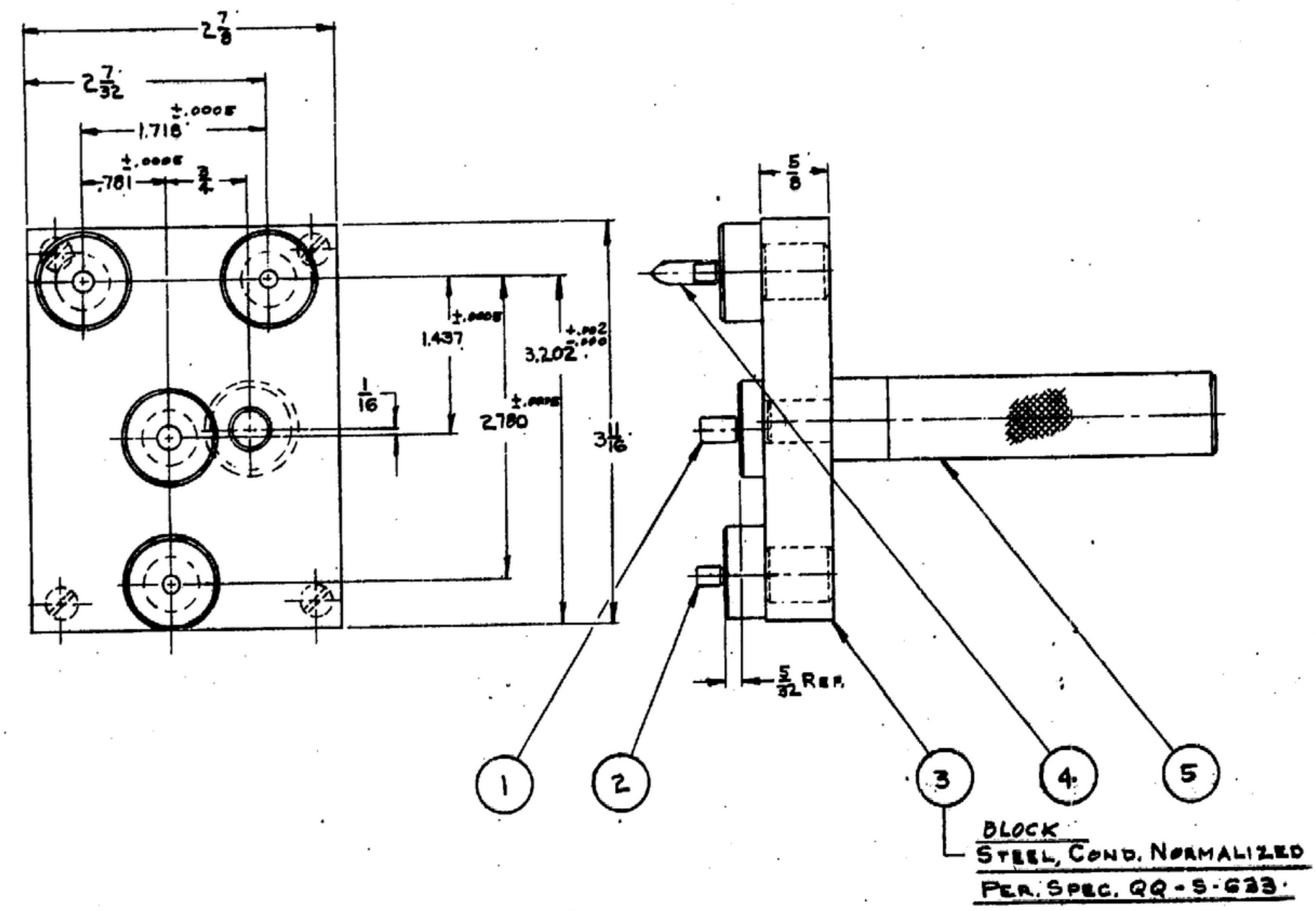
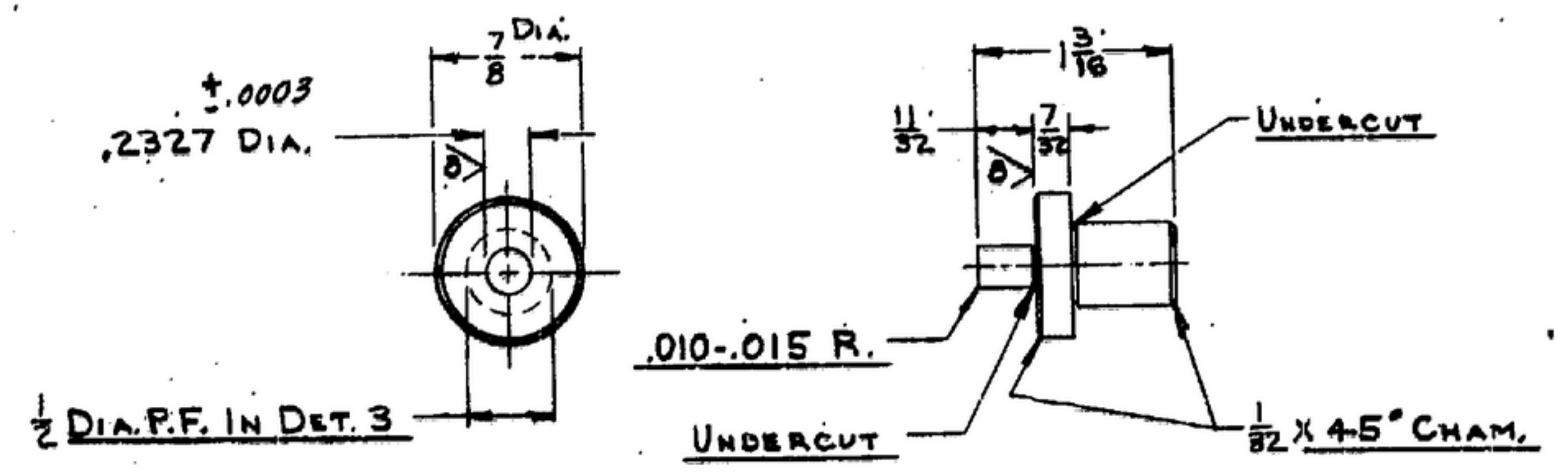


UNLESS OTHERWISE SPECIFIED, DIMENSIONS ARE IN INCHES. DIMENSIONS IN FRACTIONS SHALL BE CONSIDERED AS DECIMALS UNLESS OTHERWISE SPECIFIED. DIMENSIONS IN DECIMALS SHALL BE CONSIDERED AS FRACTIONS UNLESS OTHERWISE SPECIFIED. DIMENSIONS IN ANGLES SHALL BE CONSIDERED AS DECIMALS UNLESS OTHERWISE SPECIFIED. DIMENSIONS IN ANGLES SHALL BE CONSIDERED AS DECIMALS UNLESS OTHERWISE SPECIFIED.

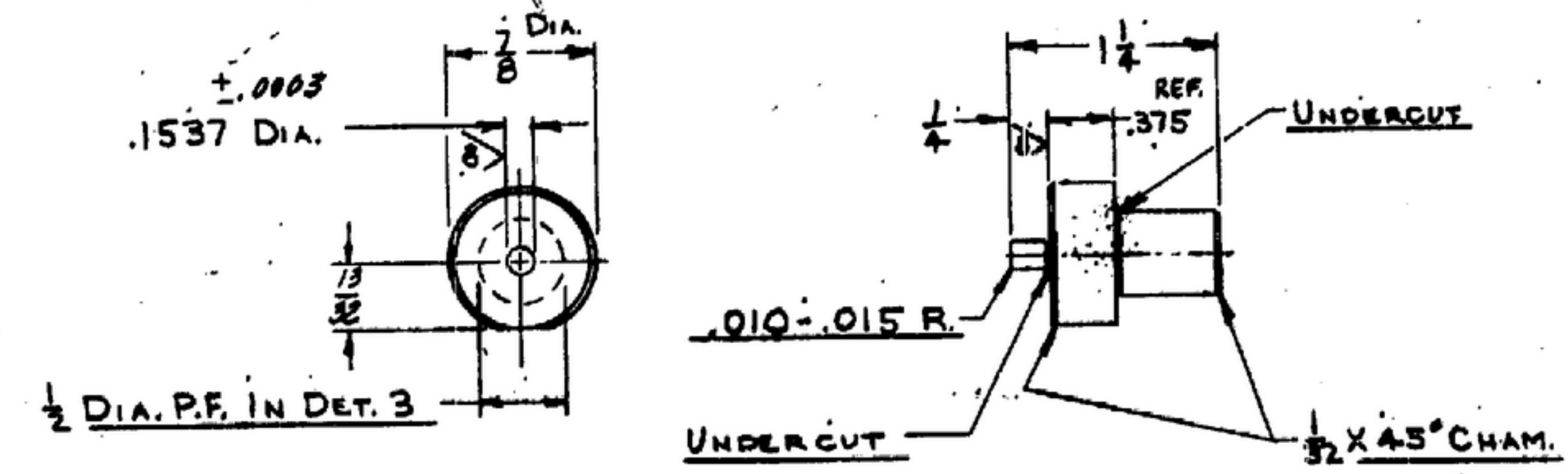
THIS DRAWING HAS BEEN REPRODUCED IN THE REVISIONS AND MAY BE REPRODUCED AND USED IN CONNECTION WITH ANY OTHER DRAWING WITHOUT THE WRITTEN PERMISSION OF THE SIGNAL CORPS ENGINEERING LABORATORIES.



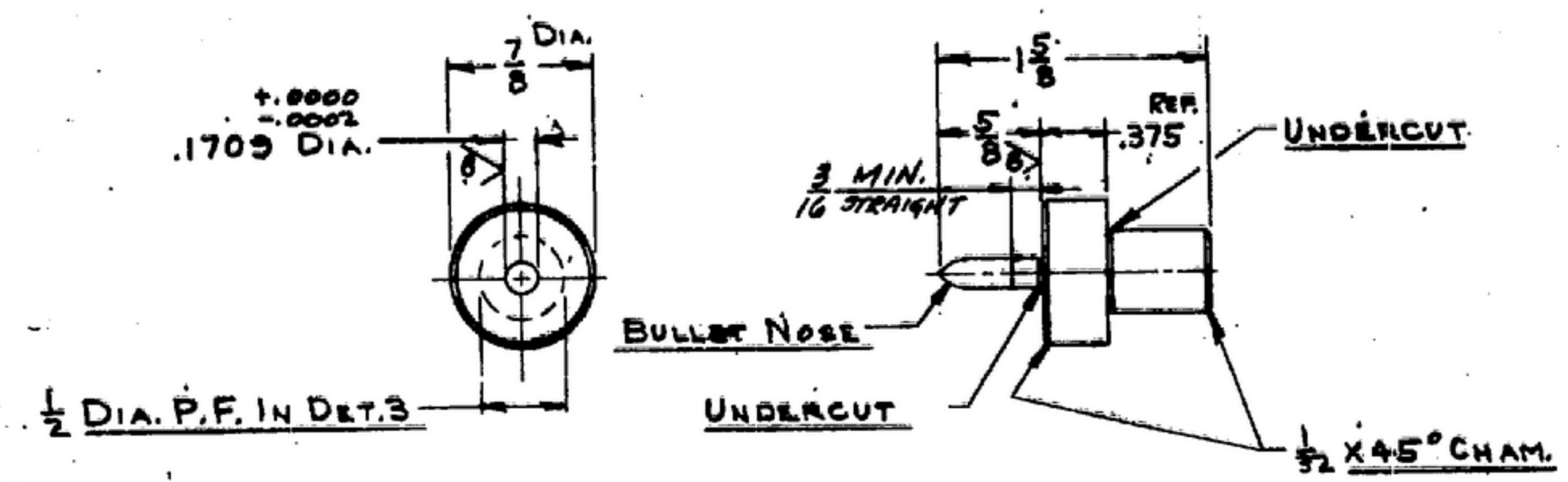
ENGRAVE:
 R-390A/URR
 RECEIVER
 R.F. SUB-CHASSIS
 CHECK LOC. OF 3 MTG
 HOLES & BUSH. FOR GEAR
 SHAFT OF XTOL, OSC.
 SIG. C. INSP.
 5731Z
 (MFR'S NAME OR SYMBOL)



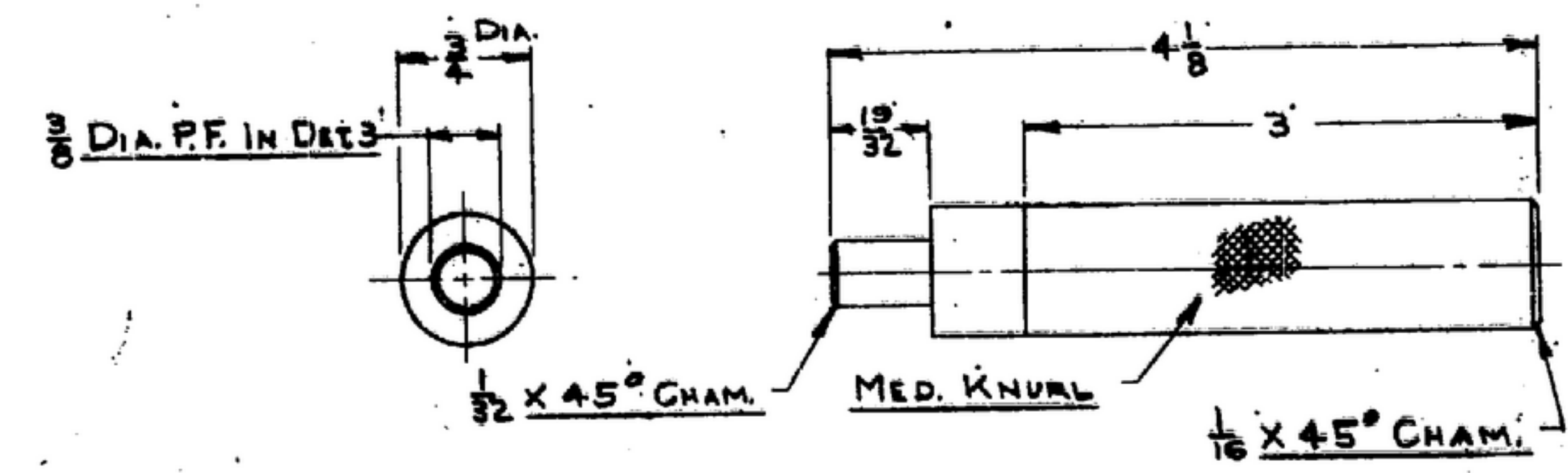
PIN
 1 1 REQ. - TOOL STEEL - CLASS FS-A2
 PER SPEC. QQ-S-00778 Rock 'C'-62 MIN.



PIN
 2 2 REQ. - TOOL STEEL - CLASS FS-A2
 PER SPEC. QQ-S-00778 Rock 'C'-62 MIN.



PIN
 4 1 REQ. - TOOL STEEL - CLASS FS-A2
 PER SPEC. QQ-S-00778 Rock 'C'-62 MIN.



HANDLE
 5 1 REQ. - STEEL, COND. AS-COLD FINISHED
 PER SPEC. QQ-S-633

NOTE:
 1. THIS GAGE WILL CHECK SM-D-24907

2. A PROTECTIVE FINISH PER SPEC. MIL-G-10914 (ORR) SHALL BE APPLIED TO NON-FUNCTIONING, NON-GAGING & NON-LOCATING SURFACES TO PREVENT CORROSION. BLACK OR GRAY COLORS ARE PREFERRED.

QTY	PART NO.	DESCRIPTION	MATL.	MATL SPEC.	NOTES
5	1	HANDLE 3/8 DIA X 1 1/8			
4	1	PIN 7/8 DIA X 1 1/8			
3	1	BLOCK 2 7/8 X 2 7/8 X 3/16	STEEL		
2	2	PIN 7/8 DIA X 1 1/4			
1	1	SM-D-57312-1 PIN 7/8 DIA X 1 1/16			

NOTE:
 ALL DIAS ON DETS 1, 2 & 4 TO BE CONCENTRIC WITHIN .0002 T.I.R.

UNLESS OTHERWISE SPECIFIED	DIMENSIONS ARE IN INCHES
TOLERANCES ON FRACTIONS DECIMALS ANGLES	± 1/32
SG-GL-57592	
NEXT ASSY USED ON	
APPLICATION	

ORDER #	08719-PH-55-93	SIGNAL CORPS	REVIEWED	APPROVED	DATE	SCALE	LIST OF MATERIAL	DEPARTMENT OF THE ARMY SIGNAL CORPS ENGINEERING LABORATORIES
			PME	M.H. PME	13-10-55	FULL	PIN GAGE TO CHECK LOCATION OF 3 MOUNTING HOLES & BUSH FOR GEAR SHAFT OF XTOL, OSC, ON R.F. SUB CHASSIS.	PORT MONMOUTH NEW JERSEY SM-D-57312

WHEN REFERRING TO THIS DRAWING STATE DRAWING NO., APPLICABLE ISSUE & DATE.