

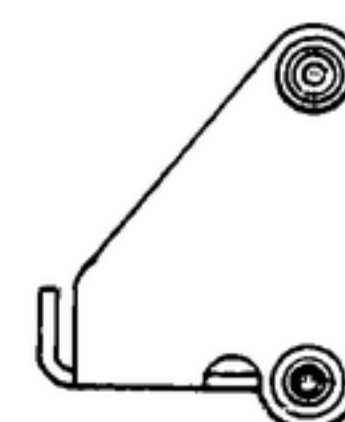
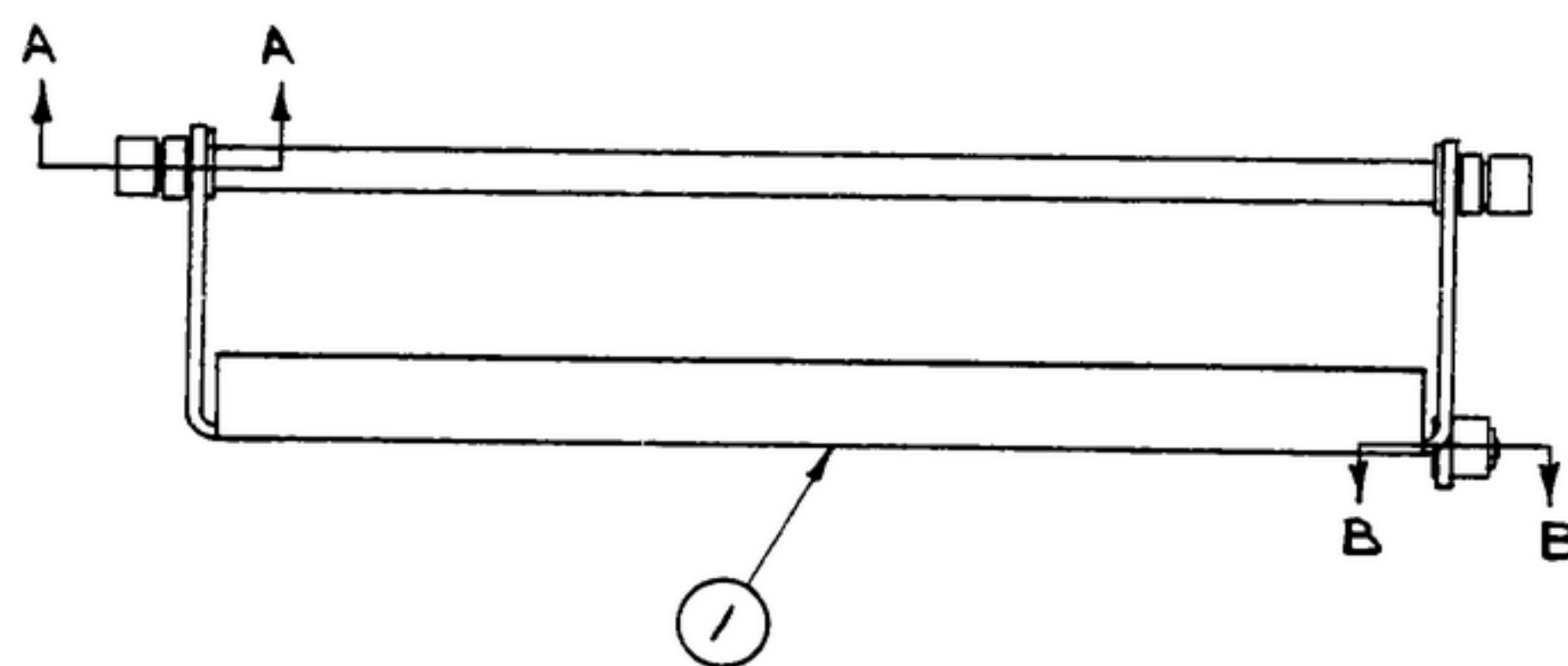
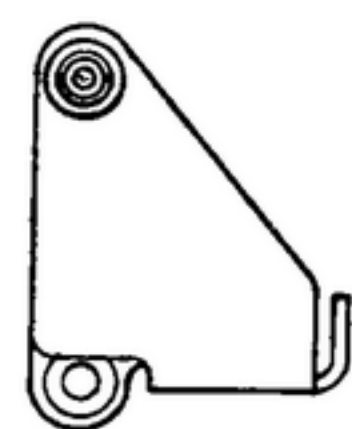
EXCEPT WHERE SHOWN OTHERWISE, DIMENSIONS ARE UNLESS OTHERWISE SPECIFIED IN INCHES AND FRACTIONS. DIMENSIONS ARE UNLESS OTHERWISE SPECIFIED IN INCHES AND FRACTIONS. DIMENSIONS ARE UNLESS OTHERWISE SPECIFIED IN INCHES AND FRACTIONS. DIMENSIONS ARE UNLESS OTHERWISE SPECIFIED IN INCHES AND FRACTIONS.

"THIS DOCUMENT HAS BEEN PURCHASED BY THE GOVERNMENT AND MAY BE REPRODUCED AND USED IN CONNECTION WITH ANY GOVERNMENT PROCUREMENT OR MAINTENANCE OPERATION."

NOTE:

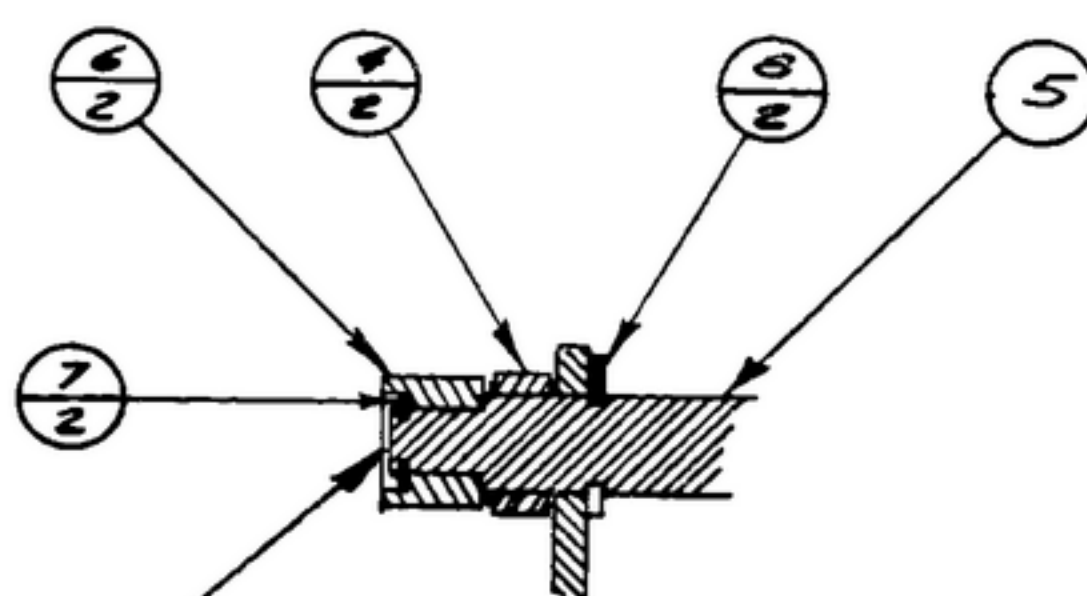
\*FOR INFORMATION ONLY, CONTRACTOR MAY AT HIS OPTION DEVIATE FROM THESE PROCESS DETAILS

REVISIONS			
SYM	DESCRIPTION	DATE	APPROVAL

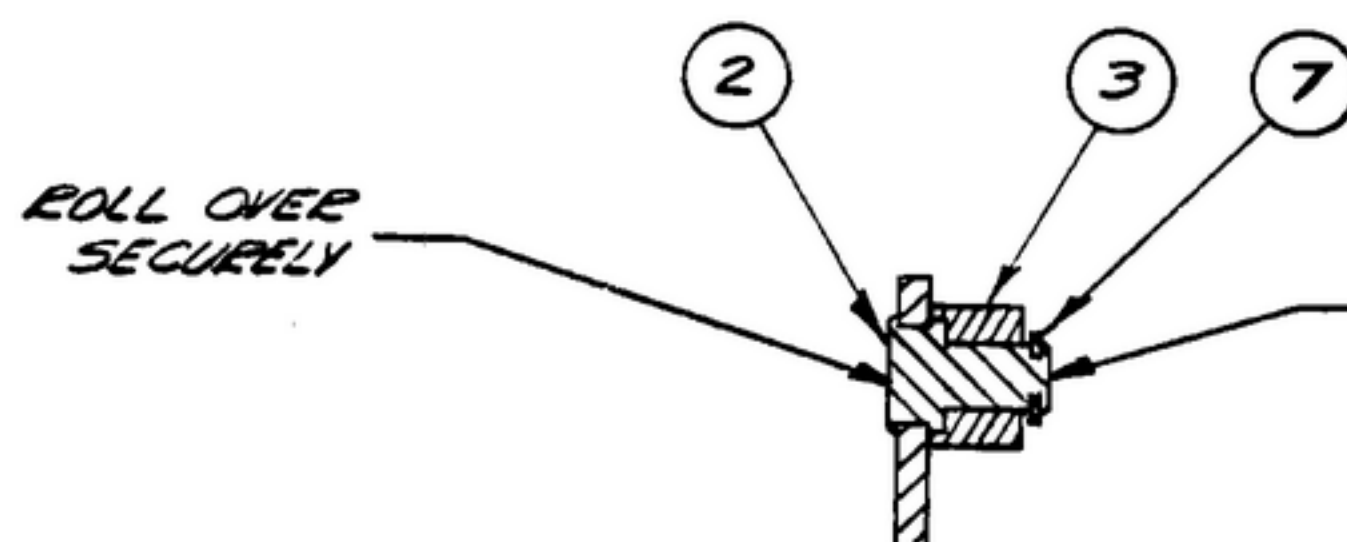


NOTES:

1. ROLLERS MUST ROTATE FREELY AFTER STAKING.
2. ROLLER BORE TO BE LUBRICATED WITH LUBRICANT (9) PER SPEC MIL-L-7870 BEFORE ASSEMBLY.
3. IN ALL SPLIT BALLOONS TOP FIGURE IS MATERIAL LIST ITEM INDICATOR & BOTTOM FIGURE IS QUANTITY.



SECTION A-A  
TYPICAL BOTH ENDS OF SHAFT  
SCALE: 2/1



SECTION B-B  
SCALE: 2/1

STAKE AFTER ASSEMBLY  
SEE NOTE 1

ROLL OVER  
SECURELY

STAKE AFTER  
ASSEMBLY  
SEE NOTE 1

ITEM	SWE PART NO.	REQD	PART NO.	DESCRIPTION	MATL	MATL SPEC	NOTE
9	MS111255-6	AS REQ'D		LUBRICANT			2
8		2	MS-16633-4017	RING, RETAINING			
7		3	SM-B-170882	WASHER			
6	574210	2	SM-B-178739	ROLLER			
5		1	SM-B-340611-3	SHAFT			
4		2	SM-B-340611-1	BEARING			
3		1	SM-B-343609	RETAINER			
2		1	SM-B-343608	PIN			
1		1	SM-C-249055	RACK - LOW			

LIST OF MATERIAL				DEPARTMENT OF THE ARMY SIGNAL CORPS ENGINEERING LABORATORIES FORT MONMOUTH NEW JERSEY			
NEXT ASSY		USED ON		NEXT ASSY		USED ON	
*SWE. APPLICATION				APPLICATION			
UNLESS OTHERWISE SPECIFIED DIMENSIONS ARE IN INCHES TOLERANCES ON FRACTIONS DECIMALS ANGLES				STEWART-WARNER ELECTRONICS 12429-PC-53 SIGNAL CORPS			
Drawn By: <i>L. H. H. H.</i>				REVIEWED <i>PME</i>			
Checked By: <i>B. J. H. H.</i>				APPROVED <i>PME</i>			
Cable Drafts: <i>S. H. H. H.</i>				DATE 1 SEP 59			
Eng. Approval: <i>L. H. H. H.</i>				SCALE 1/1			
				<b>RACK ASS'Y-LOW</b>			
				<b>SM-C-343628</b>			

WHEN REFERRING TO THIS DRAWING STATE DRAWING NO., APPLICABLE ISSUE SYMBOL, IF ANY, AND DATE.