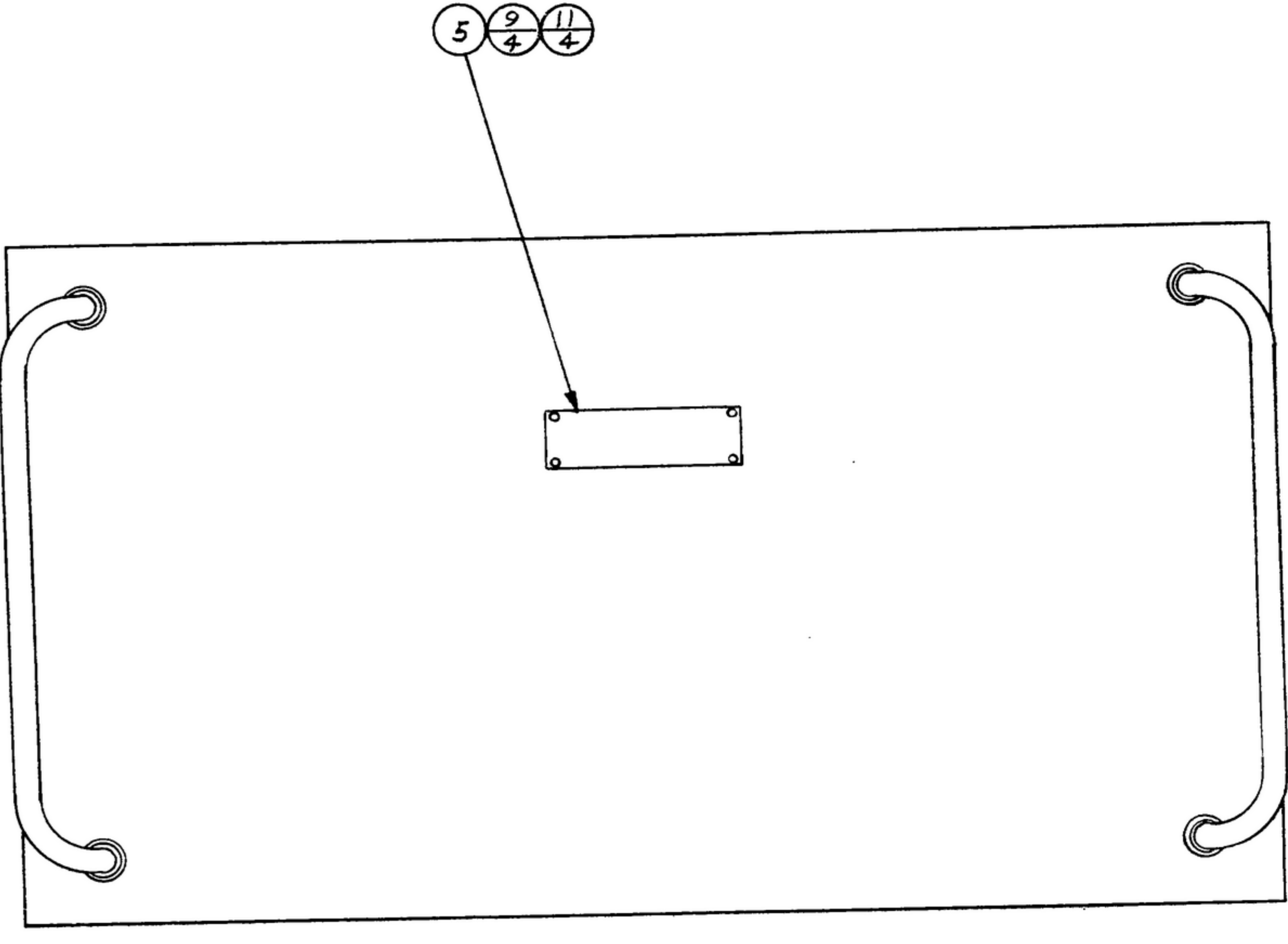


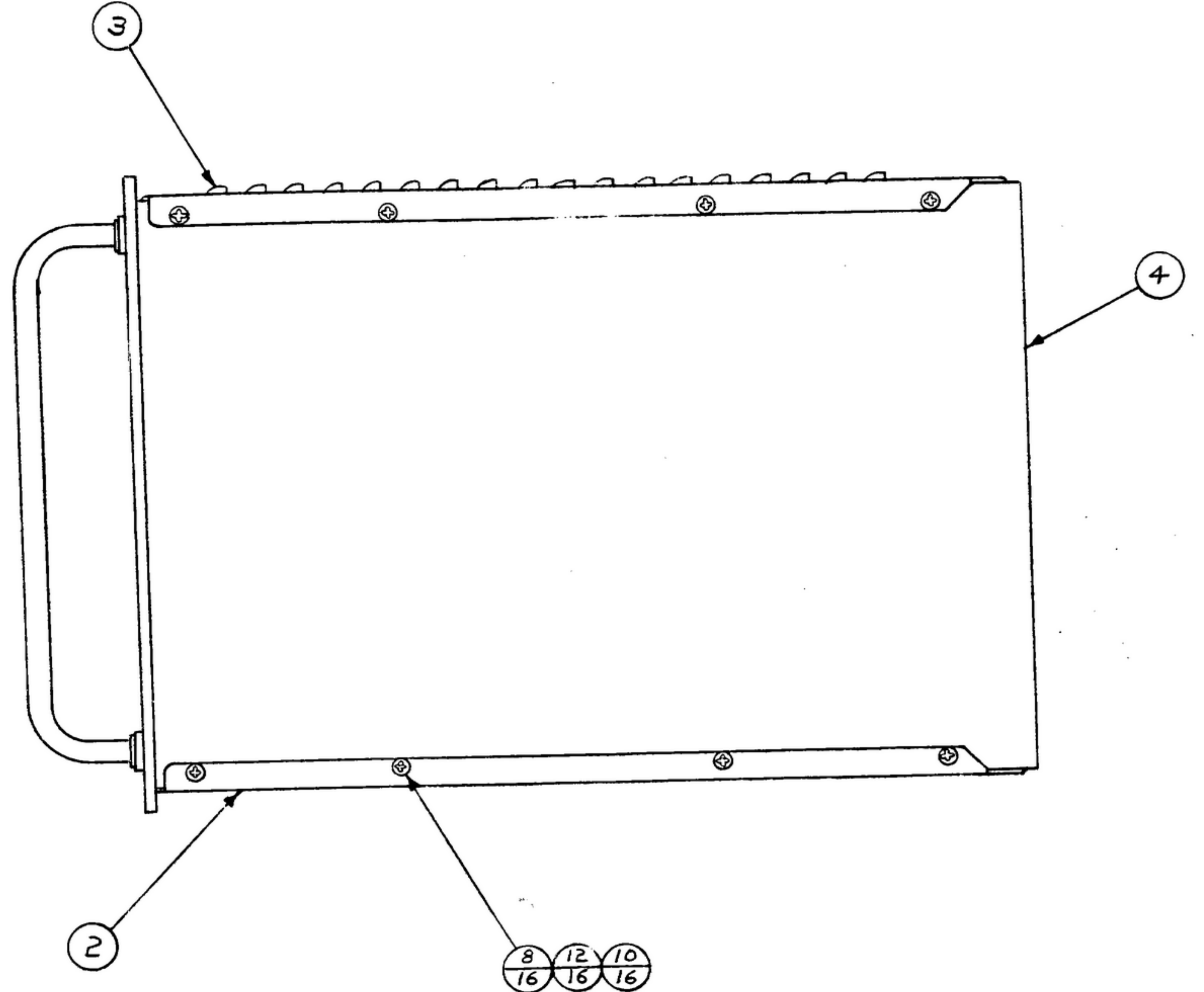
NOTICE: THIS DOCUMENT CONTAINS SPECIFICATIONS, OR OTHER DATA FOR WHICH THE GOVERNMENT HAS A SPECIAL INTEREST. IT IS HEREBY STATED THAT THE CONTRACTOR HAS AGREED TO HOLD THE GOVERNMENT HARMLESS FROM ANY AND ALL CLAIMS, DAMAGES, LOSSES, AND EXPENSES, INCLUDING REASONABLE ATTORNEY'S FEES, THAT MAY BE ASSERTED AGAINST OR INCURRED BY THE GOVERNMENT OR ANY OF ITS OFFICERS, EMPLOYEES, OR AGENTS, OR ANY OTHER PERSONS, IN CONNECTION WITH THE PERFORMANCE OF THE CONTRACT OR THE USE OF ANY PATENTED OR UNPATENTED INFORMATION THAT MAY BE OR MAY BE RELATED TO THIS DRAWING.

NOTE: *FOR INFORMATION ONLY. CONTRACTOR MAY AT HIS OPTION DEVIATE FROM THESE PROCESS DETAILS

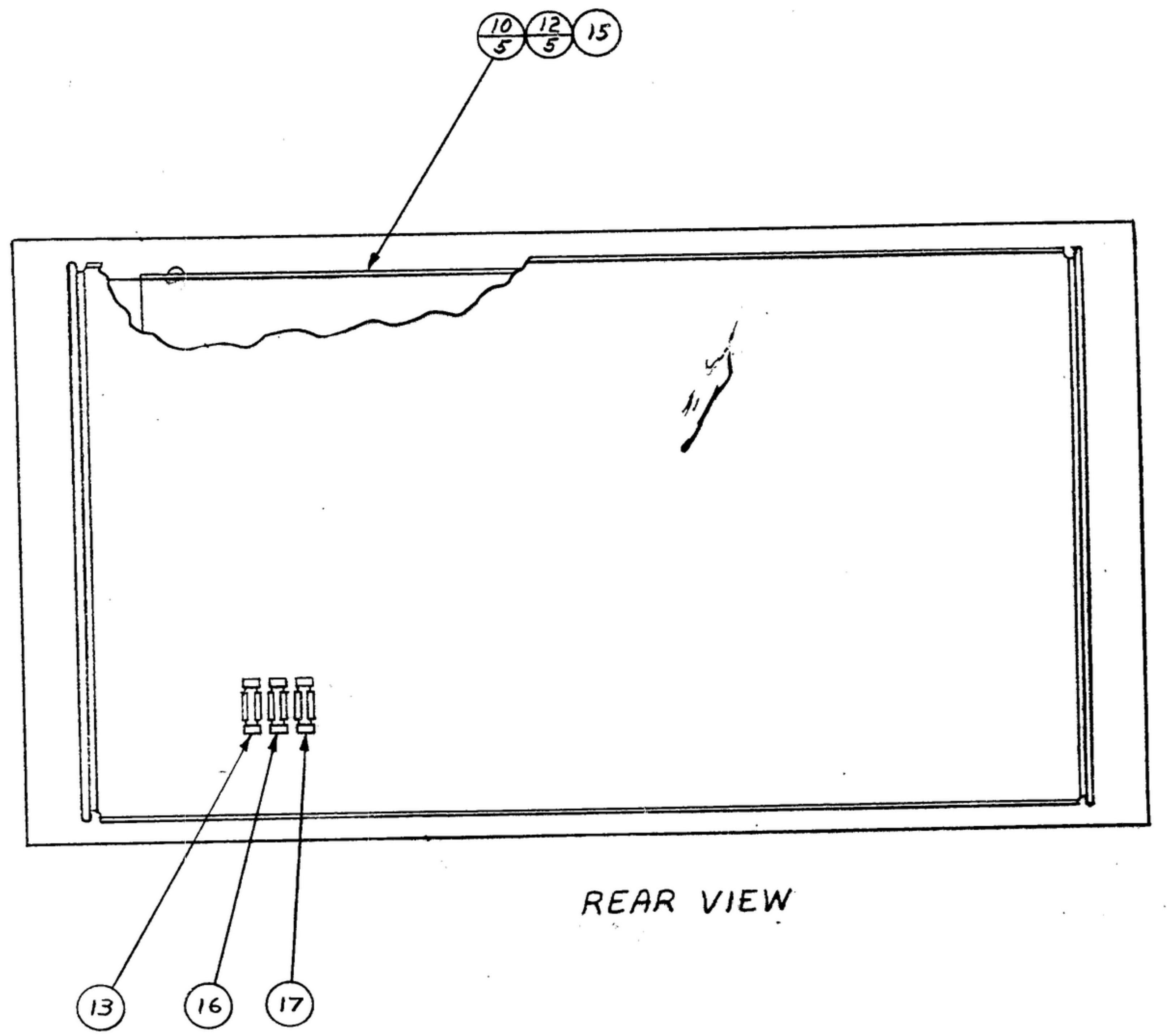
REVISIONS			
SYM	DESCRIPTION	DATE	APPROVAL
A ₂	(1) DELETED WRENCH ASS'Y, ITEM 1; (2) DELETED SCREW DRIVER ITEM 6.	25 MAR 1965	EBVD PME
B	(1) ITEM 13 WAS MS90078-12, F02G3R00A.	14 MAR 66	JC JMRP



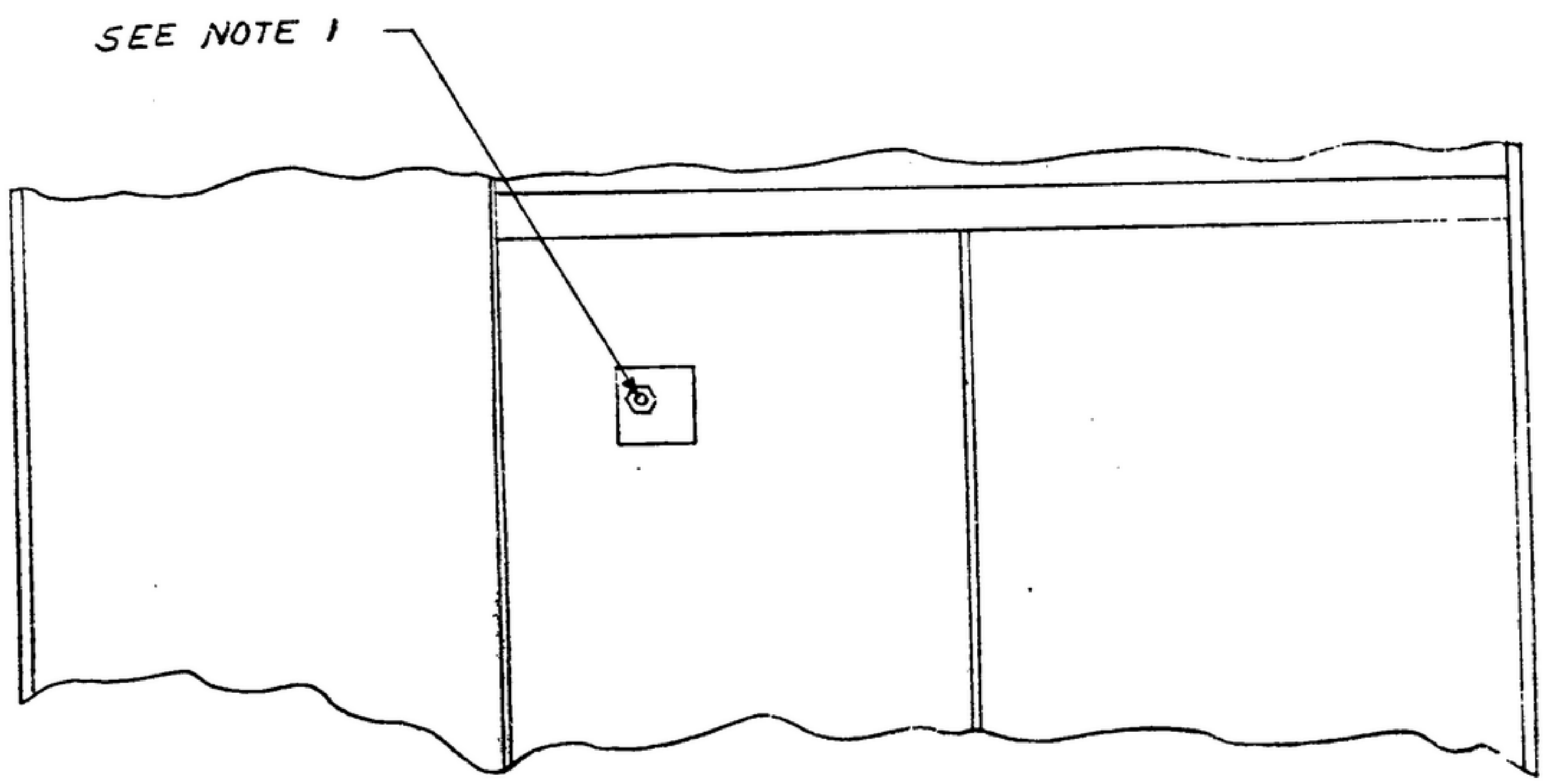
FRONT VIEW



SIDE VIEW



REAR VIEW



SEE NOTE 1

- NOTES:
- LIQUID STAKE VFO OUTPUT ADJUSTMENT AFTER GOVERNMENT INSPECTION, WITH VARNISH #7526(7) AS SUPPLIED BY GENERAL ELECTRIC CORP., SCHENECTADY, N.Y., OR EQUAL.
 - WASHER-FLAT NO 6 .147 I.D., .312 O.D., .032 THICK TYPE 302 AS SUPPLIED BY CENTRAL SCREW CO., CHICAGO, ILL., OR EQUAL.
 - IN ALL SPLIT BALLOONS TOP FIGURE IS MATERIAL LIST ITEM INDICATOR & BOTTOM FIGURE IS QUANTITY.
 - FOR COMPLETE SCHEMATIC DIAGRAM SEE SM-J-249190.
 - FOR ORDER NO. 42428-PC-59-A1-51 USE NAMEPLATE S.W.E. 33P205105 FOR ORDER NO. 20139-PC-60-A1-51 USE NAMEPLATE S.W.E. 33P205500

(B1)

S.W.E. PART NO.	ITEM	REQD	PART NO.	DESCRIPTION	MATL	MATL SPEC	NOTES
	17	1	MS-90078-4	FUSE F02GR125A			
	16	1	MS-90078-20	FUSE F02GR250B			
	15	1	SM-D-249143	COVER-RF			
	14		SM-J-249190	SCHEMATIC DIAGRAM			4
	13	1	MS 90078-271	FUSE F02D3R00B			
	12	21	MS 35338-79	WASHER		FF-W-84	
	11	4	MS35338-77	WASHER		FF-W-84	
	10	21	MS35216-23	SCREW		FF-6-92	
	9	4	MS35216-2	SCREW		FF-6-92	
	8	16	SM-D-33622-1	WASHER	CRES		2
	7	AS REQD		VARNISH			1
	6	1	SM-B-249198	SCREW DRIVER			
	5	1	SM-B-283245	NAMEPLATE			
	4	1	SM-D-343619	RECEIVER ASS'Y.			
	3	1	SM-D-249132	COVER-TOP			
	2	1	SM-D-249131	COVER-BOTTOM			
	1	1	SM-B-249114	WRENCH ASS'Y.			

(A2)

(A1)

UNLESS OTHERWISE SPECIFIED		STEWART-WARNER-ELECTRONICS-42428-PC-59		RECEIVER, RADIO R-390A/URR ASS'Y.		DEPARTMENT OF THE ARMY SIGNAL CORPS ENGINEERING LABORATORIES	
DIMENSIONS ARE IN INCHES		DRAWN BY C. Szolowski		REVIEWED PME		PORT MONMOUTH NEW JERSEY	
TOLERANCES ON FRACTIONS DECIMALS ANGLES		CHECKED BY J. Szolowski		APPROVED PME		SM-D-343622	
± — ± — ± —		CHIEF DRAFTS		DATE 23 OCT 59		SCALE 1/2	
APPLICATION		ENG APPROVAL				WHEN REFERRING TO THIS DRAWING STATE DRAWING NO., APPLICABLE ISSUE SYMBOL, IF ANY, AND DATE.	