

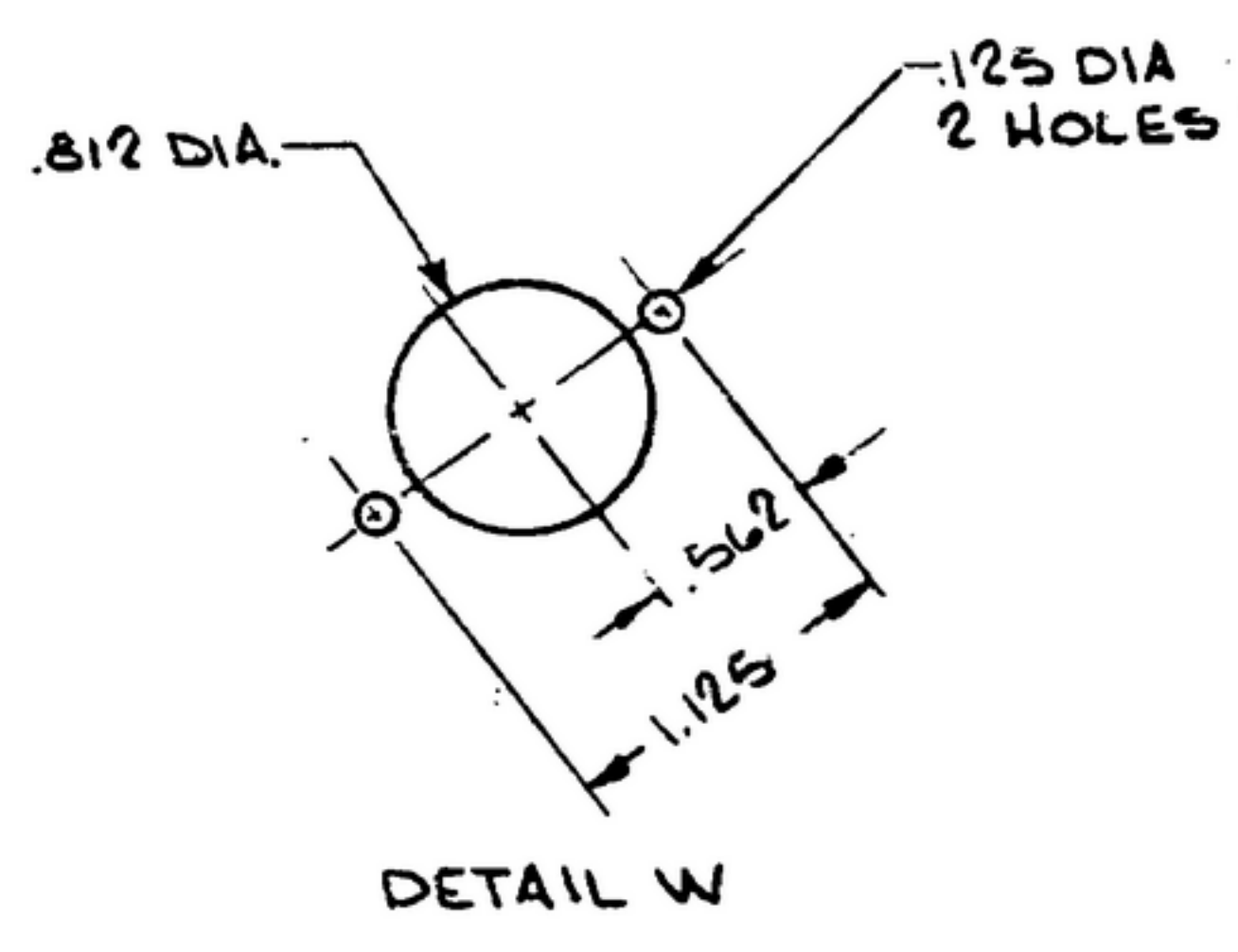
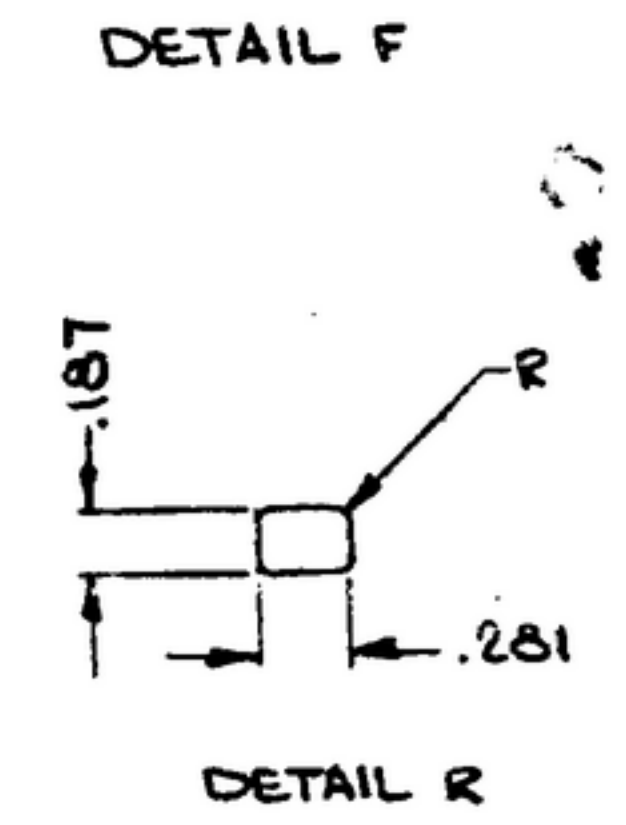
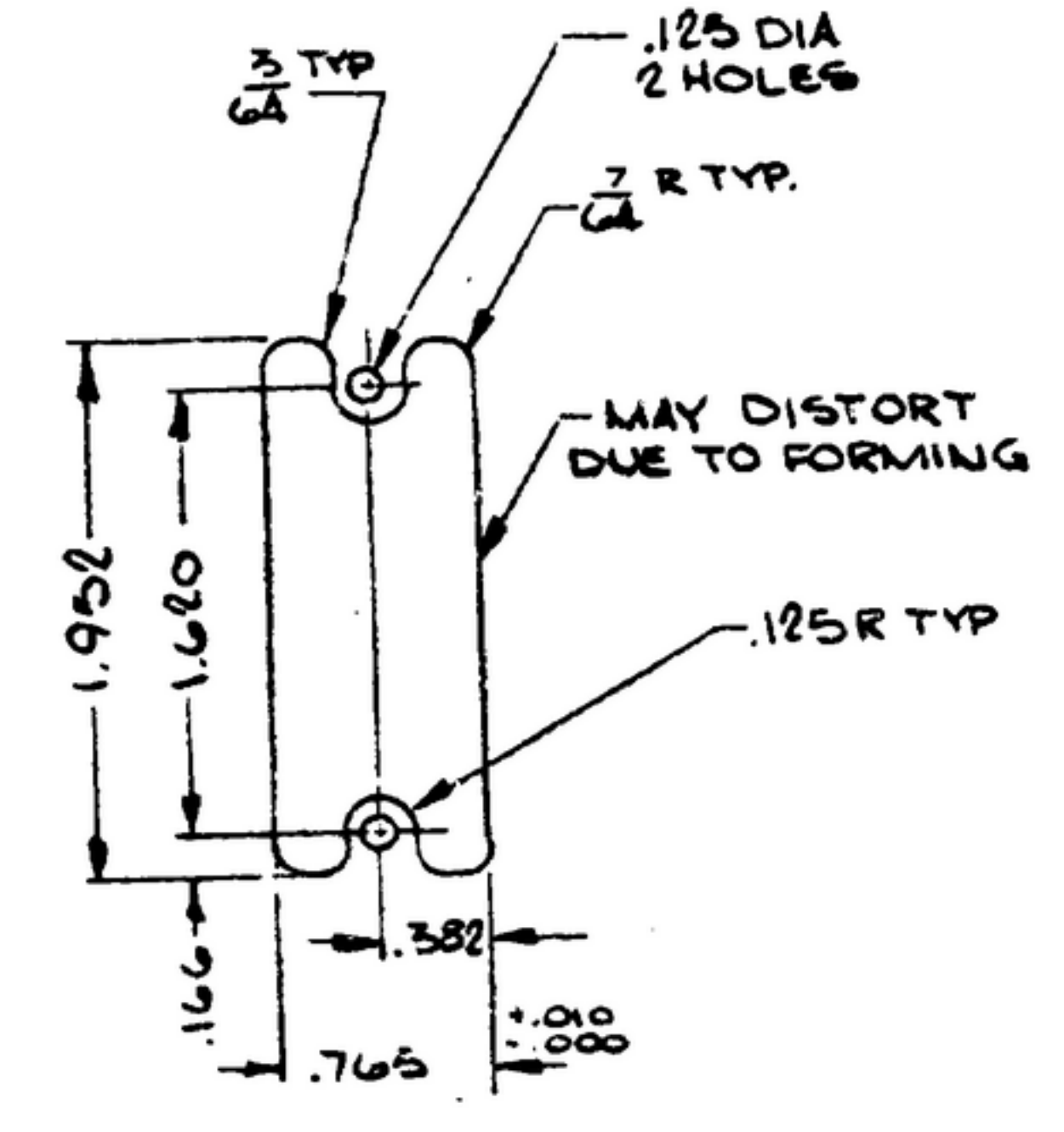
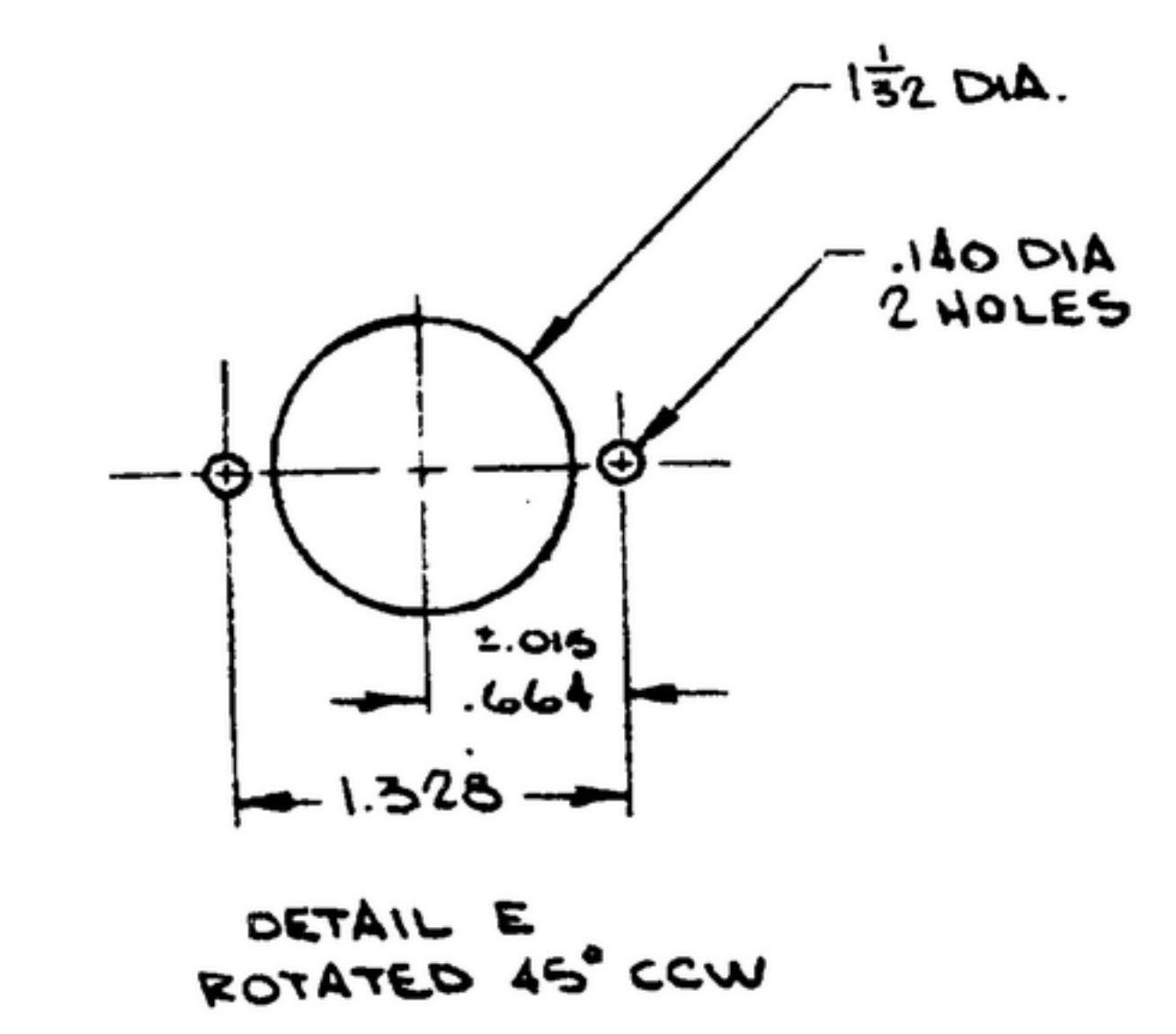
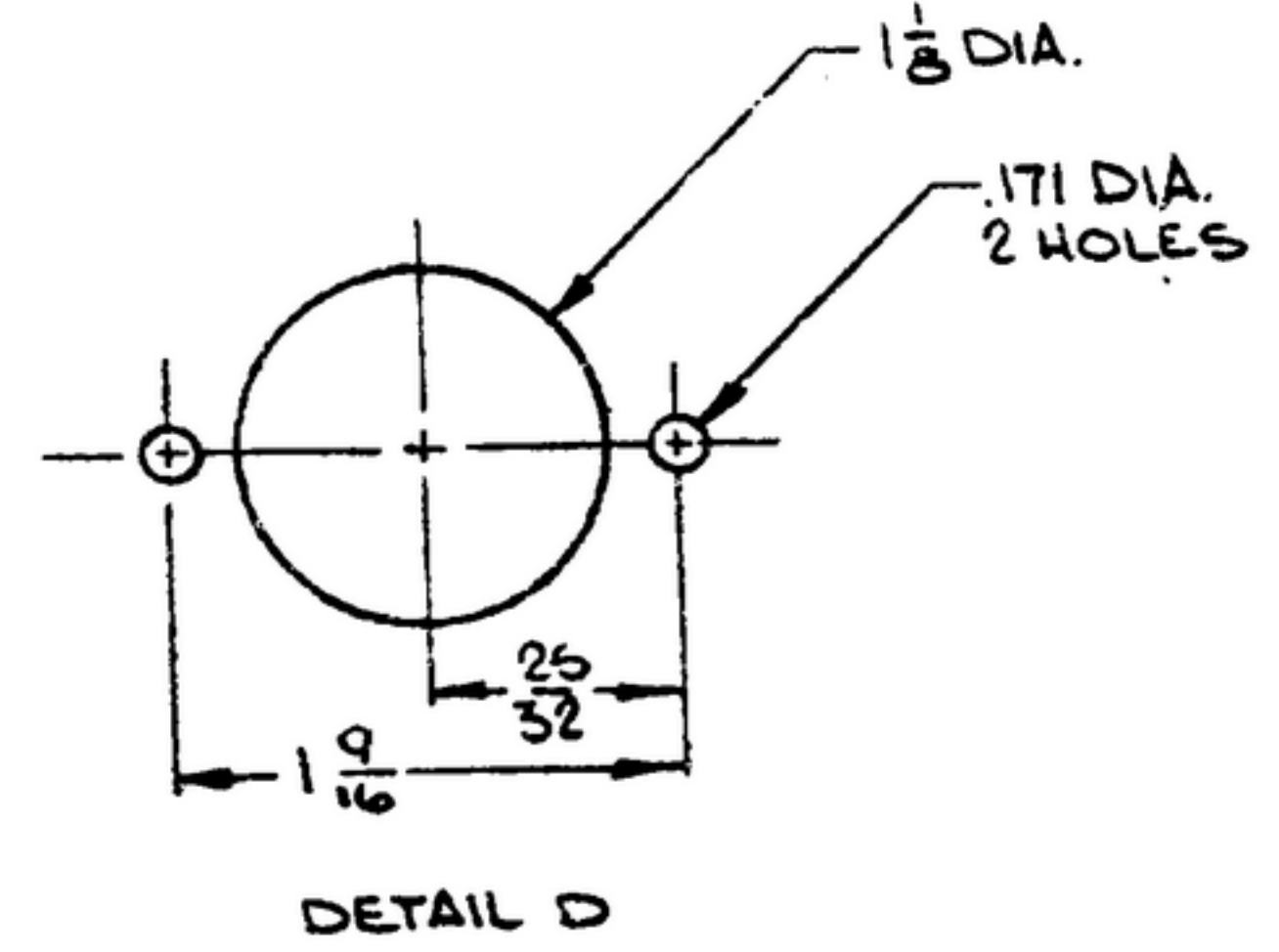
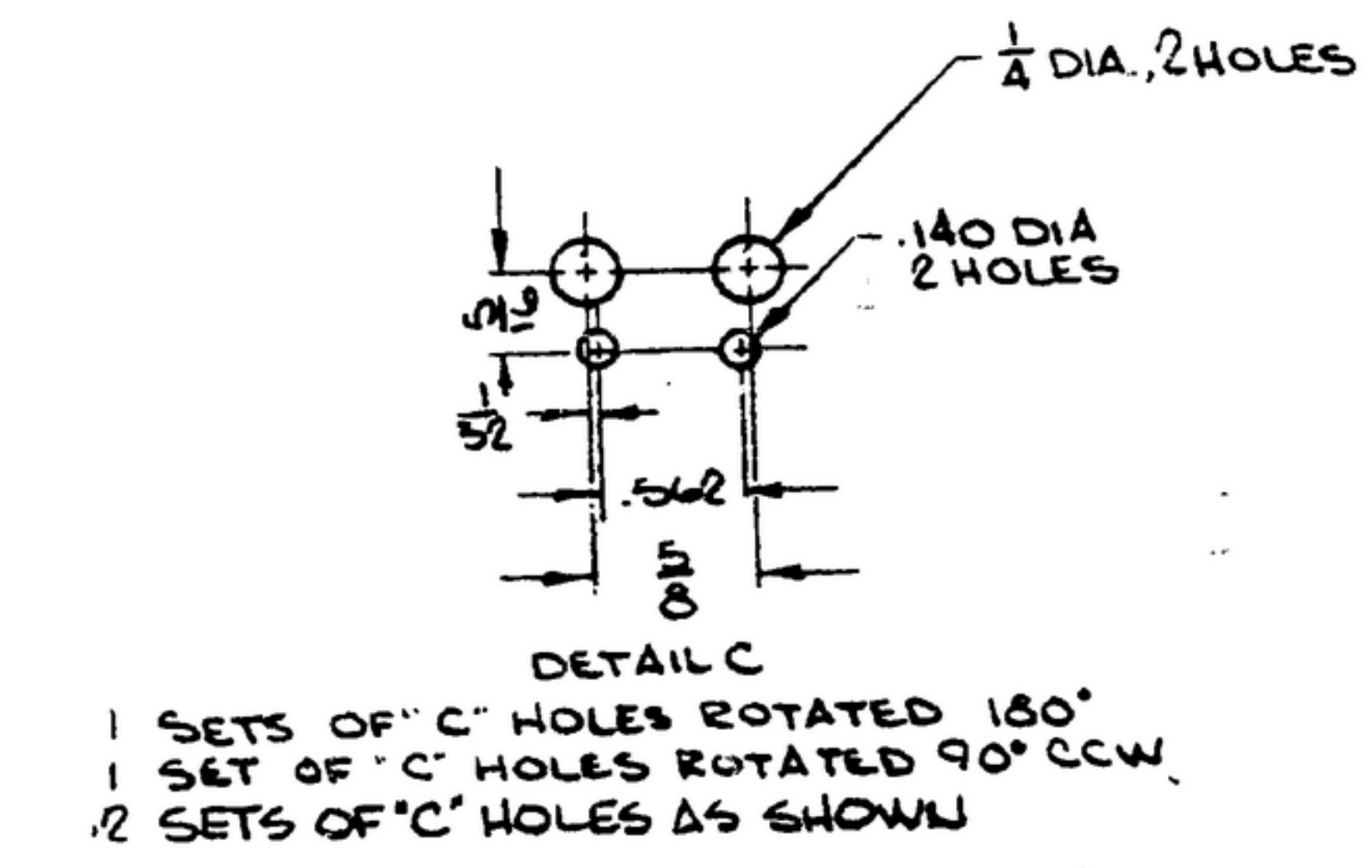
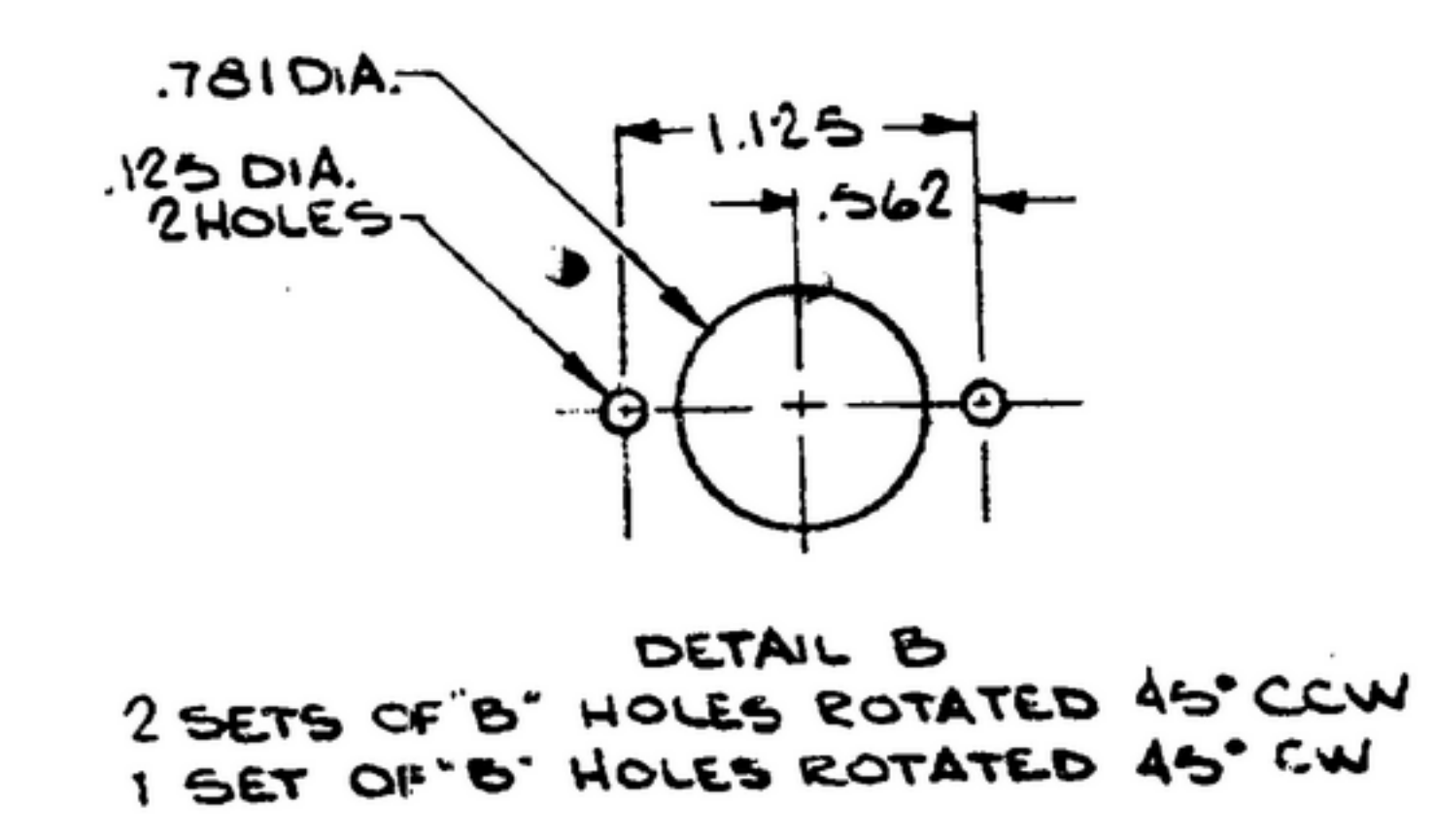
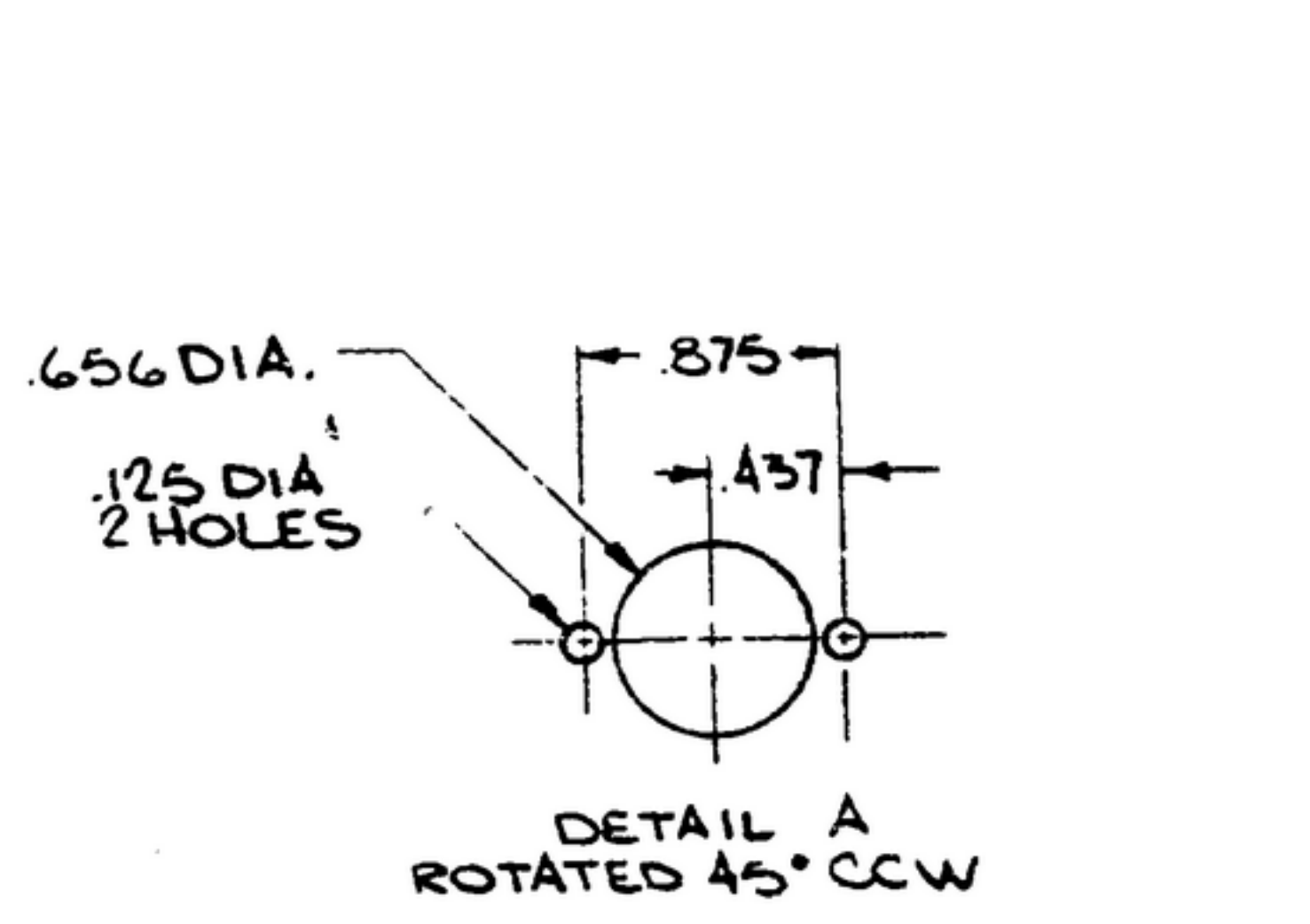




NOTICE - WHEN GOVERNMENT DRAWINGS, SPECIFICATIONS, OR OTHER DATA ARE USED FOR ANY PURPOSE OTHER THAN IN CONNECTION WITH A DEFINITELY RELATED GOVERNMENT PROCUREMENT OPERATION, THE UNITED STATES GOVERNMENT THEREBY INCURS NO RESPONSIBILITY NOR ANY OBLIGATION WHATSOEVER, AND THE FACT THAT THE GOVERNMENT MAY HAVE FORMULATED, FURNISHED, OR IN ANY WAY SUPPLIED THE SAID DRAWINGS, SPECIFICATIONS OR OTHER DATA IS NOT TO BE REGARDED BY IMPLICATION OR OTHERWISE AS IN ANY MANNER LICENSING THE HOLDER OR ANY OTHER PERSON OR CORPORATION, OR CONVEYING ANY RIGHTS OR PERMISSION TO MANUFACTURE, USE, OR SELL ANY PATENTED INVENTION THAT MAY IN ANY WAY BE RELATED THERETO.

THIS DOCUMENT HAS BEEN PURCHASED BY THE GOVERNMENT AND MAY BE REPRODUCED AND USED IN CONNECTION WITH ANY GOVERNMENT PROCUREMENT OR MAINTENANCE OPERATION.

NOTE: DATA MARKED BY AN ASTERISK (\*) ARE FOR INFORMATION ONLY. CONTRACTOR MAY, AT HIS OPTION, DEVIATE FROM THESE DETAILS



HOLE	DESCRIPTION	REQD
A	SEE DETAIL A	6
B	SEE DETAIL B	4
C	SEE DETAIL C	4
D	SEE DETAIL D	1
E	SEE DETAIL E	1
F	SEE DETAIL F	1
G	.156 DIA.	7
J	.203 ±.001 DIA	12
L	.187 DIA.	1
N	.265 DIA.	4
R	SEE DETAIL R	2
S	.140 DIA.	9
T	.218 DIA.	1
V	1/4 DIA.	7
W	SEE DETAIL W	4

