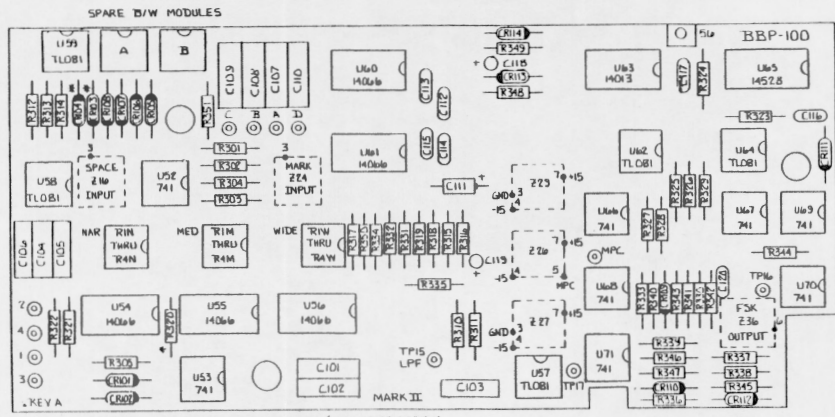
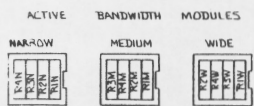


REV	DESCRIPTION	DATE	APPROVED
A	UPDATE TO MARK II	8 8 80	762



CONSULT PRINT 75195 FOR RESISTOR VALUES OF THE SELECTABLE BANDWIDTH MODULES REGARDING THE VARIOUS BAUD RATES.



ITEM	QTY	PART NO.	REF DES	DESCRIPTION	TEC MANUFACTURER
36	6	CA-08PF-11	E16, 24, 26, 27, 29, 36	HEADER, 8 PIN	CIRC. ASSY.
35	5	CA-08P-II		BANDWIDTH MODULES	CIRC. ASSY.
34	8	u741	U52, 53, 66, 71	INTEGRATED CIRCUIT	TEX. INST.
33	1	14528	U65		MOTOROLA
32	5	TLO81	U57-59, 62, 64		TEX. INST.
31	5	14066	U54-56, 60, 61		MOTOROLA
30	1	14083	U63	INTEGRATED CIRCUIT	MOTOROLA
29					
28					
27	5	METAL FILM	R312, 313, 325, 326, 331	RESISTOR, 20K, 1%	DALE
26	2	CARB COAT	R317, 350		3M, 1/4W, 5%
25	2	CARB FILM	R357, 358	150K	
24	3		R323, 324, 351*	100K	
23	6		R35, 36, 318, 319, 343, 347	47K	
22	1		R332	4.7K	
21	17		R305, 311, 314, 320*, 321, 322, 327-330, 335, 336, 339, 340, 342, 344, 351	20K	
20	8		R301-304, 333, 341, 345, 346	10K	
19	1		R324	1K	
18	3	CARB FILM	R310, 348, 349	RESISTOR 470Ω, 5%, 1/4W	R-DHM
17					
16					
15					
14	10	INSIAB	KR01, 102, 105-112	DIODE, SIGNAL, SIL.	IRC
13	2	IN755A	CR113, 114	DIODE, ZENER, 7.5V	ITT
12					
11					
10	3	MYLAR	C101, 103, 104	CAPACITOR, 4700μF	PLESSEY
9	1	MICA	C106	2400μF	C.D.
8	1		C105	2000μF	C.D.
7	1		C102	390μF	C.D.
6	2	TANTALUM	C118, 119	10μF/6V	ITT-TAP
5	1	TANTALUM	C111	1.0μF	SPRAGUE
4	4	MYLAR	C107-110	0.1μF	PLESSEY
3	7	CER DISC	C112-117, 120	CAPACITOR, 0.01μF	DIELECTRON
2					
1	1	75195	BBP-100	BOARD	DOVETRON

MPC-1000T BANDWIDTH MODULES

LOCATION	BAUD RATE	WPM	RESISTANCE
NARROW	50.0	67	750K
MEDIUM	75.0	100	510K
WIDE	150	200	240K
A	75.45	60	R20K
B	110	100	ASCII 330K

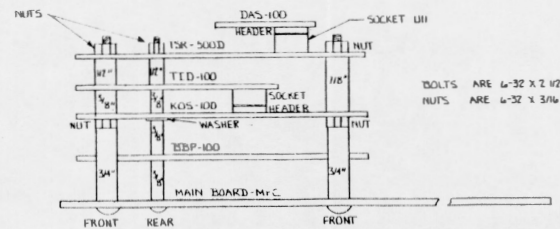
NOTE: IN MPC-1000T TEMPEST UNITS ONLY, CONNECT BBP-56 TO BLUE WIRE INSTALLED IN E56 ON MAINBOARD.

STANDARD BANDWIDTH MODULES

LOCATION	BAUD RATE	WPM	RESISTANCE
NARROW	45.45	60	R20K
MEDIUM	50.0	67	750K
WIDE	75.0	100	510K
A	56.98	75	680K
B	110	100	ASCII 330K

NOTE: THE INVERTED FSK OUTPUT OF U71 AT BBP-56 IS NOT USED. U71 MAY BE CONSIDERED AS A SPARE OP-AMP AND THE INVERTED FSK OUTPUT MAY BE UTILIZED FOR OTHER APPLICATIONS.

MECHANICAL INSTALLATION OF BBP-100 IN KDS-EQUIPPED MPC-1000T



NOTE: TOP COVER OF DAS-100 IS NOT INSTALLED. SEE NOTE 2 ON PRINT 75174.

MARK II

THIS DOCUMENT CONTAINS PROPRIETARY AND CONFIDENTIAL INFORMATION, WHICH SHALL NOT BE REPRODUCED OR TRANSFERRED TO OTHERS OR TO OTHER DOCUMENTS, IN WHOLE OR IN PART, OR USED FOR MANUFACTURING OR ANY OTHER PURPOSE WITHOUT PRIOR WRITTEN PERMISSION FROM DOVETRON, INC.

APPROVED	DATE	ASSEMBLY - BBP-100
D	5-17-79	BINARY BIT PROCESSOR
SCALE	2:1	SIZE
		D
		75192
		A
DO NOT SCALE DRAWING		