

LIMITER BALANCE

GAIN ADJUST

DETECTOR LEVEL

RIBBON CABLE CONNECTIONS TO
MORSE INPUT, MORSE OUTPUT,
BELL TONE BOARD, AND CW
DETECT INDICATOR

BUS
CONNECTOR

POWER
CONNECTOR

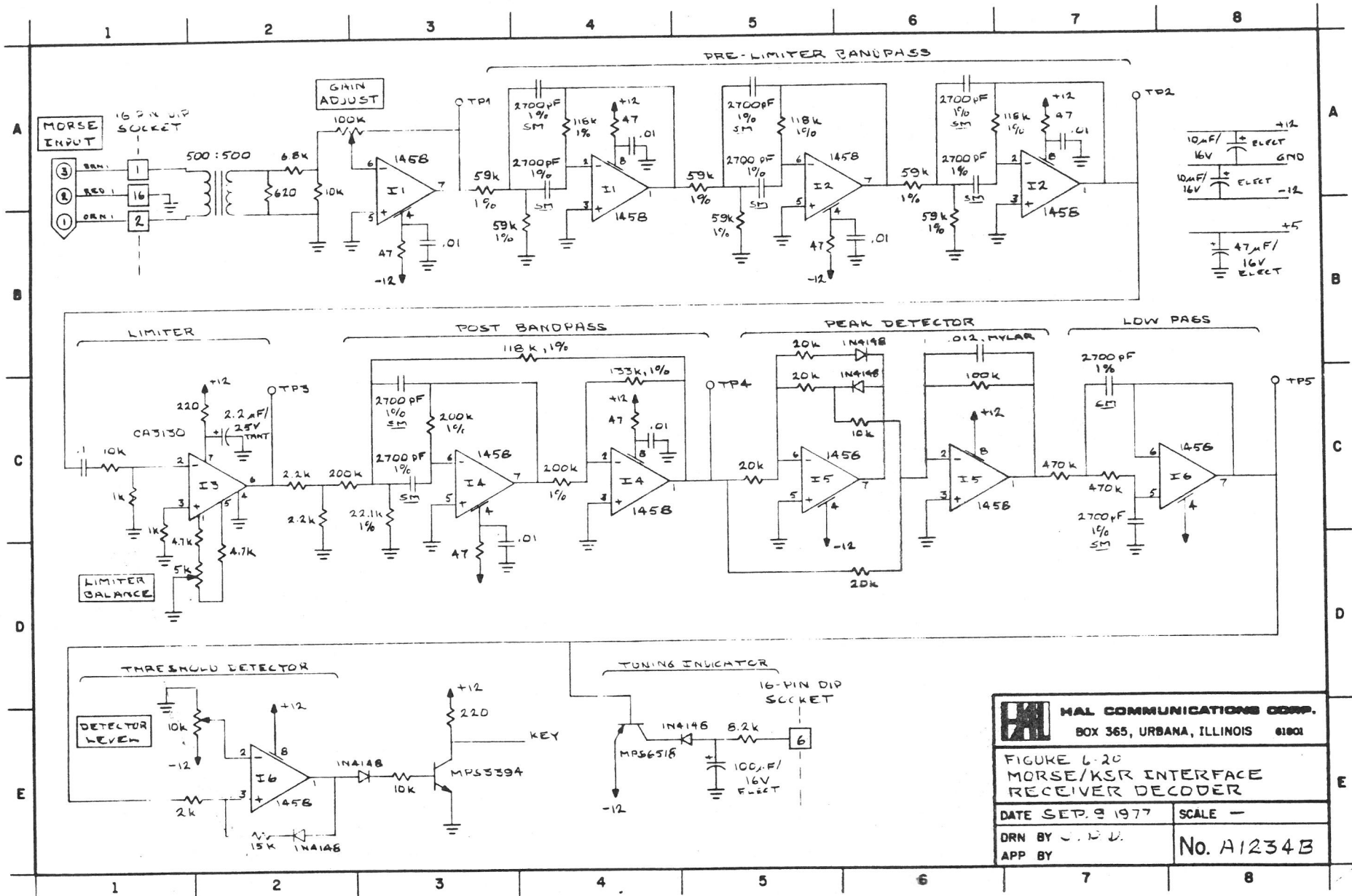
HAL COMMUNICATIONS CORP.
BOX 365, URBANA, ILLINOIS 61801

FIGURE 6-19
MORSE/KSR INTERFACE
BOARD PARTS PLACEMENT

DATE SEP. 14, 1977 SCALE FULL

DRN BY J.P.D. APP BY No. B1168A

REV. A, JAN. 20, 1978
ECC RE MODIFICATION
SER. NO. > 435



HAL COMMUNICATIONS CORP.
 BOX 365, URBANA, ILLINOIS 61801

FIGURE 6-20
 MORSE/KSR INTERFACE
 RECEIVER DECODER

DATE SEP. 9 1977 SCALE -

DRN BY J. D. V. APP BY No. A1234B

8