

USAF: FD4606-90-D-0941

J1: MS27499E14F35SB (P.13)
(DATA)

J2: MS27499E14F35AA (P.13)
(AUDIO)

J3: MS27499E12F98P (P.13)
(CAL PUB)

J4: JTP02RE-10-35A (P.14)
(Remote) (MS27508E10F35P)

Bendix® Subminiature Cylindrical Connectors

JTP - MS27508
JT - MS27499

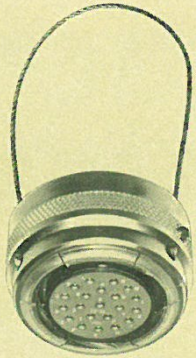
G.W. Henry

12-090-6



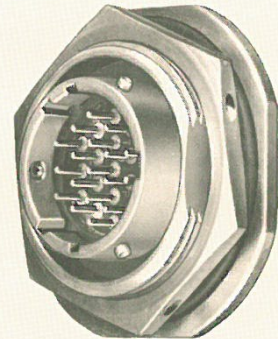
MIL-C-38999 Series I•II

JT/LJT specials



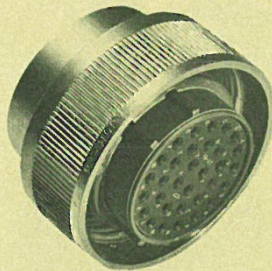
FAIL-SAFE

This connector has been designed for those special applications needing a quick disconnect. Many of the JT features have been designed into the "fail-safe." Including: five key polarization, three point bayonet lock coupling, standard insert arrangements and mating interchangeability with JT receptacles. By designing six segments into the ramp sleeve it was possible to assure complete separation regardless of coupling orientation. If bayonet pins on receptacle shell have not been completely coupled into position, the segments (upon lanyard pull) will release the entire receptacle without damage. The fail-safe is also available in an LJT configuration.



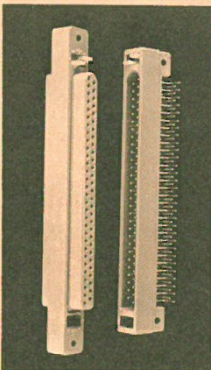
FILTER

The FJT filter connector utilizes a miniature ferrite filter device around each contact of an electrical receptacle, eliminating the need for conventional bulky filtering methods. This combination filter connector package reduces weight, space, cost, and adds reliability for providing EMC.



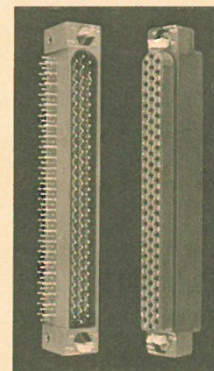
AJ

Specially designed connectors for underwater and other fluid immersion applications are available in all Bendix® JT/LJT insert arrangements. Aquacon AJ (immersion JT) or AL (immersion LJT) Series connectors offer 1500PSI capability, visual mating indication to assure proper sealing and mating, and design flexibility at low cost. Corrosion resistant materials and environment proof molded cable terminations provide a connector well suited to immersed usage. AJ and AL Series Aquacon connectors represent the utmost in general purpose immersion connectors.



MINIATURE RECTANGULAR

10-285416 and 10-285418 miniature rectangular connector uses size 22D crimp contacts and is available in either a 39 or 59 contact arrangement. Both contact arrangements have a 2 row pattern. The receptacle is designed for printed circuit board mounting. This connector has a potential of 256 polarization positions and uses standard JT application tools. 10-285392 and 10-285393 environmental printed circuit board rectangular connector utilizes size 20 crimp contacts and is available in either a 40 or 76 contact arrangement. This connector has a potential of 36 polarization positions and uses standard JT application tools. Insert and shell are one piece unitized construction molded from a dielectric material of high temperature glass fiber filled epoxy.

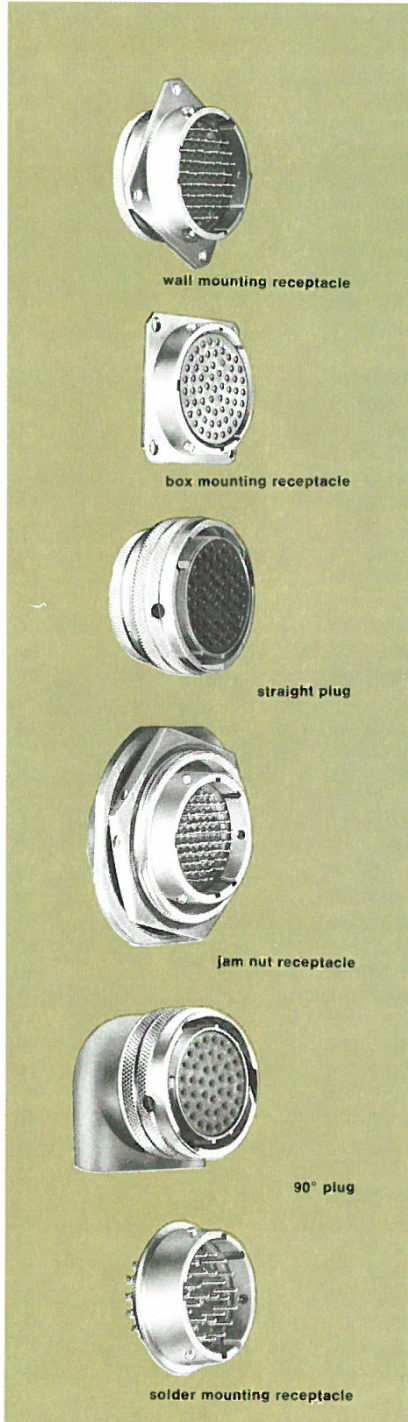


ENVIRONMENTAL RECTANGULAR

<i>Description</i>	<i>Page</i>	<i>MS Number</i>	<i>Page</i>
JT/LJT — The miniature cylindrical for every application.....	2	MS20026	40
JT/LJT — Specifications	3	MS20027	41
JT/LJT — Insert availability and identification; alternate positions.....	4	MS20028	42
JT/LJT — Insert availability and identification; alternate positions (continued)	5	MS20029	43
JT/LJT — Insert availability and identification (continued).....	6	MS20047	48
JT/LJT — Insert arrangements	7	MS20048	47
JT/LJT — Insert arrangements	8	MS27334	20
JT/LJT — Insert arrangements	9	MS27335	21
JT — Crimp, JT00R (MS27472), Wall mounting receptacle.....	10	MS27336	22
JT — Crimp, JTPQ00R (MS27497), Wall mounting receptacle, Back panel mounting.....	11	MS27337	24
JT — Crimp, JT01R, Line receptacle.....	12	MS27342	32
JT — Crimp, JT02R, (MS27499), Box mounting receptacle.....	13	MS27352	30
JT — Crimp, JTP02R (MS27508), Box mounting receptacle, Back panel mounting.....	14	MS27353	31
JT — Crimp, JT06R (MS27473), Straight plug.....	15	MS27466	34
JT — Crimp, JTG06R, (MS27484), Straight plug, with grounding fingers.....	16	MS27467	38
JT — Crimp, JT07R, (MS27474), Jam nut receptacle.....	17	MS27468	39
JT — Crimp, JTL07R, Jam nut receptacle, Pygmy mounting dimensions.....	18	MS27469	44
JT — Crimp, JT08R, (MS27500), 90° plug.....	19	MS27470	45
JT — Solder, JT00 (MS27334), Wall mounting receptacle.....	20	MS27471	46
JT — Solder, JT02 (MS27335), Box mounting receptacle.....	21	MS27472	10
JT — Solder, JT06 (MS27336), Straight plug	22	MS27473	15
JT — Solder, JTG06A, Straight plug, with grounding fingers.....	23	MS27474	17
JT — Solder, JT07 (MS27337), Jam nut receptacle.....	24	MS27475	26
JT — Solder, JT08, 90° plug.....	25	MS27476	27
JT — Hermetic, JT00, (MS27475), Wall mounting receptacle.....	26	MS27477	28
JT — Hermetic, JT02, (MS27476), Box mounting receptacle.....	27	MS27478	29
JT — Hermetic, JT07, (MS27477), Jam nut receptacle.....	28	MS27479	10
JT — Hermetic, JTI, (MS27478), Solder mounting receptacle.....	29	MS27480	15
JT — Accessories, Plug protection cap	30	MS27481	17
JT — Accessories, Receptacle protection cap.....	31	MS27482	26
JT — Accessories, Cable clamp (solder type).....	32	MS27483	28
JT — Accessories, Cable clamp (crimp type).....	33	MS27484	16
LJT — Crimp, LJTP00R (MS27466), Wall mounting receptacle.....	34	MS27488	50
LJT — Crimp, LJTPQ00R, (MS27656), Wall mounting receptacle, Back panel mounting.....	35	MS27490	50
LJT — Crimp, LJTO1R, Line receptacle.....	36	MS27491	50
LJT — Crimp, LJTO2R, (MS27496), Box mounting receptacle.....	37	MS27492	50
LJT — Crimp, LJTP02R (MS27505), Box mounting receptacle, Back panel mounting.....	37	MS27493	50
LJT — Crimp, LJTO6R, (MS27467), Straight plug.....	38	MS27494	50
LJT — Crimp, LJTO7R, (MS27468), Jam nut receptacle	39	MS27496	37
LJT — Solder, LJTO0, (MS20026), Wall mounting receptacle.....	40	MS27497	11
LJT — Solder, LJTO1, (MS20027), Line receptacle	41	MS27499	13
LJT — Solder, LJTO6, (MS20028), Straight plug.....	42	MS27500	19
LJT — Solder, LJTO7, (MS20029), Jam nut receptacle.....	43	MS27501	47
LJT — Hermetic, LJTO0, (MS27469), Wall mounting receptacle.....	44	MS27502	48
LJT — Hermetic, LJTO7, (MS27470), Jam nut receptacle.....	45	MS27503	29
LJT — Hermetic, LJTI, (MS27471), Solder mounting receptacle.....	46	MS27504	13
LJT — Accessories, Plug protection cap	47	MS27505	37
LJT — Accessories, Receptacle protection cap.....	48	MS27506-2	33
LJT — Accessories, Cable clamp	49	MS27508	14
JT/LJT — Contacts, Sealing plugs, Plastic dust caps.....	50	MS27509	51
JT/LJT — Application Tools	51	MS27510	30
JT/LJT — How to Order.....	52	MS27511	31
		MS27534	51
		MS27656	35

JT/LJT

the miniature cylindrical
for every application



wall mounting receptacle

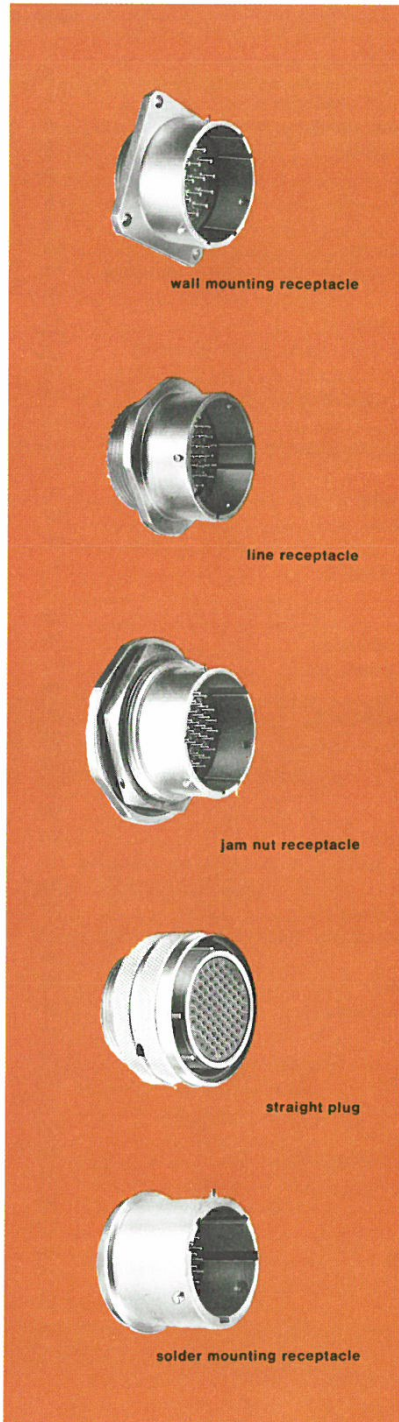
box mounting receptacle

straight plug

jam nut receptacle

90° plug

solder mounting receptacle



wall mounting receptacle

line receptacle

jam nut receptacle

straight plug

solder mounting receptacle

Bendix® LJT Series and JT Series connectors are qualified to MIL-C-38999, Series I and II respectively. These connectors were developed to meet the needs of the aerospace industries, and provided the impetus for development of the MIL-C-38999 specifications.

The Bendix® Connector JT series is unique because of its thin, space saving design. This connector series is available in a complete selection of shell styles, sizes, contact arrangements and crimp or solder contact option. In addition to its weight and space saving features, the JT offers excellent electrical capabilities. Rigid dimensional tolerance requirements make the JT highly reliable.

For those applications where a "Scoop Proof" feature is required, we have available the LJT series of connectors. All of the design features of the JT are included in the LJT, the basic difference being the JT is a shorter, lighter connector.

Where proof of high reliability and lot control is required, MS approved equivalents to most of the proprietary JT and LJT connectors are covered in this catalog section.

COMPONENTS

Shell components are impact extruded or machined bar stock aluminum. Standard plating on shell components is cadmium over nickel. Many finishes are optional, see "Specifications," (page 3). Hermetic seal receptacles are available in carbon steel or stainless steel shells. Dependable 5 key/keyway polarization with bayonet lock coupling is incorporated to aid and assure positive mating.

Insert material is epoxy compound reinforced with glass fibers. With excellent electrical characteristics, this exceptional material provides durable protection for molded in solder type contacts. Contrasting letter or number designations are used on insert faces.

Fluorinated silicone interfacial seal wafer is featured on the mating face of "crimp type pin" inserts. This assures complete electrical isolation of pins when connector halves are mated. In addition a main joint gasket is installed in the receptacles for moisture sealing between connector halves. Both features are also available for hermetic receptacles.

CONTACTS

Standard contact plating is 50 micro inches minimum gold (100 micro inches optional) and contacts are available in sizes 12, 16, 20, 22, 22M and 22D. All socket contacts are probe proof. Crimp type contacts (rear removable) are featured in JT-R connectors. High density insert patterns are available.

OPTIONAL FEATURES

High temperature capability of 392°F is available only in JTS or LJTS crimp type connectors. High temperature qualities are accomplished by included gold plated contacts, high temperature shell plating, stainless steel coupling nut spring, and epoxy inserts/fluorinated silicone grommet combination. Standard temperature capability for both solder and crimp is 302°F.

The JTN or LJTN type connectors are available for N_2O_4 resistance provided they are mated and un-grommated rear faces are suitably protected.

For complete listing and definition of connector types, shell styles, and service classes, see How to Order, Page 52.

JT/LJT specifications

Contact Rating

Contact Size	Test Current		Maximum Millivolt Drop Crimp	Maximum Millivolt Drop Solder	
	Standard	Hermetic		Standard	Hermetic
	22M	3		2	30
22D	5		40		
22	5	3	40	20	85
20	7.5	5	35	20	60
16	13	10	25	20	85
12	23	17	25		85

Contact Size	CRIMP WELL DATA		SOLDER WELL DATA	
	Well Diameter	Nominal Well Depth	Well Diameter	Nominal Well Depth
22M	.029 ±.001	.141	.029 +.004 -.000	.094
22D	.0345 ±.0010	.141		
22	.0365 ±.0010	.141	.036 +.004 -.000	.094
20	.047 ±.001	.209	.044 +.004 -.000	.125
16	.067 ±.001	.209	.078 +.004 -.002	.141
12	.100 ±.002	.209		

Service Rating*

Service Rating	Suggested Operating Voltage (Sea Level)		Test Voltage (Sea Level)	Test Voltage 50,000 Ft.	Test Voltage 70,000 Ft.	Test Voltage 110,000 Ft.
	AC (RMS)	DC				
M	400	550	1300 VRMS	550 VRMS	350 VRMS	200 VRMS
I	600	850	1800 VRMS	600 VRMS	400 VRMS	200 VRMS
II	900	1250	2300 VRMS	800 VRMS	500 VRMS	200 VRMS

*Please note that the establishment of electrical safety factors is left entirely in the designer's hands, since he is in the best position to know what peak voltages, switching surges, transients, etc., can be expected in a particular circuit.

Finish Data

Aluminum Shell Components Non-Hermetic				
Finish	Suffix		Indicated Finish Standard for JT Types Listed Below	Standard for LJT Types Listed Below
	Military	Proprietary		
Cadmium Plated Nickel Base	MS (A)		JT/JTG/JTL/JTP	LJT/LJTP
Bright Cadmium		(001)		
Olive Drab Cadmium Plate		(003)		
Grey Anodize		(004)		
Anodic Coating (Alumilite) <i>no</i>	MS (C)	(005)	JTS/JTPS/JTLS	LJTSP/LJTS
Bright Nickel		(009)		
Chromate Treated (Iridite 14-2)		(011)	JTN/JTPN/JTLN	LJTN/LJTPN
Olive Drab Cadmium Plate Nickel Base	MS (B)	(014)		
Electroless Nickel	MS (F)	(023)		

Hermetic Connectors				
Material/Finish	Suffix		Indicated Finish Standard for JT Types Listed Below	Indicated Finish Standard for LJT Types Listed Below
	Military	Proprietary		
Carbon Steel Shell Tin Plated Shell and Contacts	MS (D)		JT()H/JT()Y JTL()H/JTL()Y	LJT()Y/LJT()H
Carbon Steel Shell Gold Plated Shell and Contacts		*(101)		
Stainless Steel Shell	MS (E)	(150)	JTS()Y JTLS()Y	LJTS()Y

*Suffix (101) may be used for non hermetic types from standard finish column; contacts only will be 100 millionths inch minimum gold plate. These finishes are available on other JT and LJT connectors. Contact the factory for additional variations.

JT/LJT

insert availability
and identification;
alternate positions

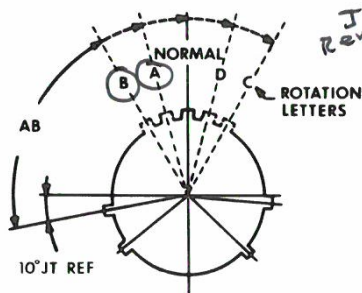
J1 (Data)
J2 (Audio)

JT MASTER KEY/KEYWAY ROTATION

Shell Size	AB ANGLE OF ROTATION (Degrees)				
	Normal	A	B	C	D
8	100°	82°	—	—	118°
10	100°	86°	72°	128°	114°
12	100°	80°	68°	132°	120°
14	100°	79°	66°	134°	121°
16	100°	82°	70°	130°	118°
18	100°	82°	70°	130°	118°
20	100°	82°	70°	130°	118°
22	100°	85°	74°	126°	115°
24	100°	85°	74°	126°	115°

A plug with a given rotation letter will mate with a receptacle with the same rotation letter. The AB angle for a given connector is the same whether it contains pins or sockets. Inserts are not rotated in conjunction with the master key/keyway.

AB angles shown are viewed from the front face of the connector, a receptacle is shown below. The angles for the plug are exactly the same except the direction of rotation is opposite of that shown for the receptacle.



RELATIVE POSSIBLE POSITION OF ROTATED MASTER KEYWAY. (front face of receptacle shown)

J3 AC PWR

JT	LJT	Solder	Crimp	Hermetics		Service Rating	Total Con-tacts	Contact Size									
				Class H	Class Y*			22D	22M	22	20	16	12	8†† (Coax)			
8-2		P				M	2										
8-3		X	N/A	P		M	3										
8-6	9-3	X		P	P	M	6		6								
8-6	9-6	X	X	P	P	M	6		6								
8-7	9-7	X				M	7		7								
8-22	9-22	X				I	2										
8-35			X	P	P	M	6	6									
8-35	9-35		X	P	P	M	6	6									
8-44			X	P	P	M	4			4							
8-44	9-44		X			M	4			4							
8-97		X				M	4		2								
8-98		S	X	P	P	I	3										
8-98	9-98	X	X	P	P	I	3										
11-2			2	P**		I	2										2
10-4			3			I	4										
10-4	11-4	X	2			I	4										4
10-5		X	X	P	P	I	5										5
10-5	11-5	X	P			I	5										5
10-6		S				I	6										6
10-13		X	X	P	P	M	13		13								
10-13	11-13	X	X	P	P	M	13		13								
10-35			X	P	P	M	13		13								
10-35	11-35		X	P	P	M	13		13								
10-98		X	X	P	P	I	6										6
10-98	11-98	X	X	P	P	I	6										6
10-99			X	P	P	I	7										7
10-99	11-99		P			I	7										7
12-3		X	X	P	P	II	3										3
12-3	13-3		P			I	4										4
12-4		X	X	P	P	I	4										4
12-4	13-4	X	X	P	P	I	4										4
12-8		X	X	P	P	I	8										8
12-8	13-8	X	X	P	P	I	8										8
12-22			X	P	P	M	22		22								
12-22	13-22	X	X	P	P	M	22		22								
12-35			X	P	P	M	22	22									
12-35	13-35		X	P	P	M	22	22									
12-98		X	X	P	P	I	10										10
12-98	13-98	X	X	P	P	I	10										10
14-4			2			I	4										4
14-4	15-4		3			I	4										4
14-5		X	X	P	P	II	5										5
14-5	15-5	X	X	P	P	II	5										5
14-15		X	X	P	P	I	15										15
14-15	15-15	X	X	P	P	I	15										15
14-18		X	X	P	P	I	18										18
14-18	15-18	X	X	P	P	I	18										18
14-19		X	3			I	19										19
14-19	15-19		2			I	19										19

(P) Pin inserts only (check factory for socket availability)
 (S) Socket inserts only (check factory for pin availability)
 (2) Not tooled for RP or O2RE
 (3) Pin insert only, not tooled for RP or O2RE (check factory for availability)
 *Y is same as H with interfacial seal
 **Tooled with special terminal only (check factory for availability of standard terminal)
 ††Coax contacts only

JT/LJT

insert availability
and identification;
alternate positions (continued)

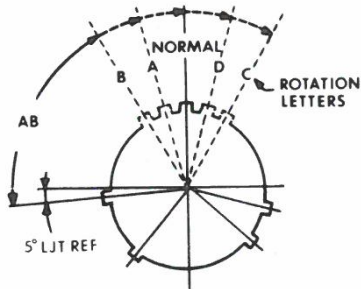
*J1, J2
Data, Audio*

LJT MASTER KEY/KEYWAY ROTATION

AB ANGLE OF ROTATION (Degrees)					
Shell Size	Normal	A	B	C	D
9	95°	77°	—	—	113°
11	95°	81°	67°	123°	109°
13	95°	75°	63°	127°	115°
15	95°	74°	61°	129°	116°
17	95°	77°	65°	125°	113°
19	95°	77°	65°	125°	113°
21	95°	77°	65°	125°	113°
23	95°	80°	69°	121°	110°
25	95°	80°	69°	121°	110°

A plug with a given rotation letter will mate with a receptacle with the same rotation letter. The AB angle for a given connector is the same whether it contains pins or sockets. Inserts are not rotated in conjunction with the master key/keyway.

AB angles shown are viewed from the front face of the connector, a receptacle is shown below. The angles for the plug are exactly the same except the direction of rotation is opposite of that shown for the receptacle.



RELATIVE POSSIBLE POSITION OF ROTATED MASTER KEYWAY. (front face of receptacle shown)

JT	LJT	Solder	Crimp	Hermetics		Service Rating	Total Contacts	Contact Size								
				Class H	Class Y*			22D	22M	22	20	16	12	8†† (Coax)		
14-35			X		P	P	(M)	37	(37)							
	15-35		X		P	P										
14-37		X	X		P	P	M	37		37						
	15-37	X	X		P	P										
14-68			2				I	8					8			
	15-68		3													
14-97			2	P	P		I	12				8	4			
	15-97	X	2	P	P											
16-6			X	P	P		I	6							6	
	17-6		X	P	P											
16-8		X	X	P	P		II	8						8		
	17-8	X	X	P	P											
16-13			2				I	13						13		
	17-13		3													
16-26		X	X	P	P		I	26					26			
	17-26	X	X	P	P											
16-35			X	P	P		M	55	55							
	17-35	X	X	P	P											
16-42			X	P	P		M	42			42					
	17-42		P													
16-55		X	X	P	P		M	55		55						
	17-55	X	X													
16-99		X	X	P	P		I	23				21	2			
	17-99	X	X													
18-11		X	X	P	P		II	11					11			
	19-11	X	X	P	P											
18-28		X	X	P	P		I	28				26	2			
	19-28	X	P													
18-30		X	X	P	P		I	30				29	1			
	19-30	X	P													
18-32		X	X	P	P		I	32				32				
	19-32	X	X	P	P											
18-35			X	P	P		M	66	66							
	19-35		X	P	P											
18-53		X	X				M	53			53					
	19-53		P													
18-66		X	X	P	P		M	66		66						
	19-66		X	P	P											
	19-67	X	3				M	67		67						
18-68			2				I	18					18			
	19-68		3													
18-96			2				I	9							9	
20-1			X	P	P		M	79		79						
	21-1		X													
20-2			X				M	65			65					
	21-2		P													
20-11			2				I	11							11	
	21-11		2													
20-16		X	X	P	P		II	16					16			
	21-16	X	X	P	P											
	21-24	X					I	24					24			
	21-25	X					I	25					25			

(P) Pin inserts only (check factory for socket availability)
 (S) Socket inserts only (check factory for pin availability)
 (2) Not tooled for RP or O2RE
 (3) Pin insert only, not tooled for RP or O2RE (check factory for availability)
 *Y is same as H with interfacial seal
 ††Coax contacts only

JT/LJT

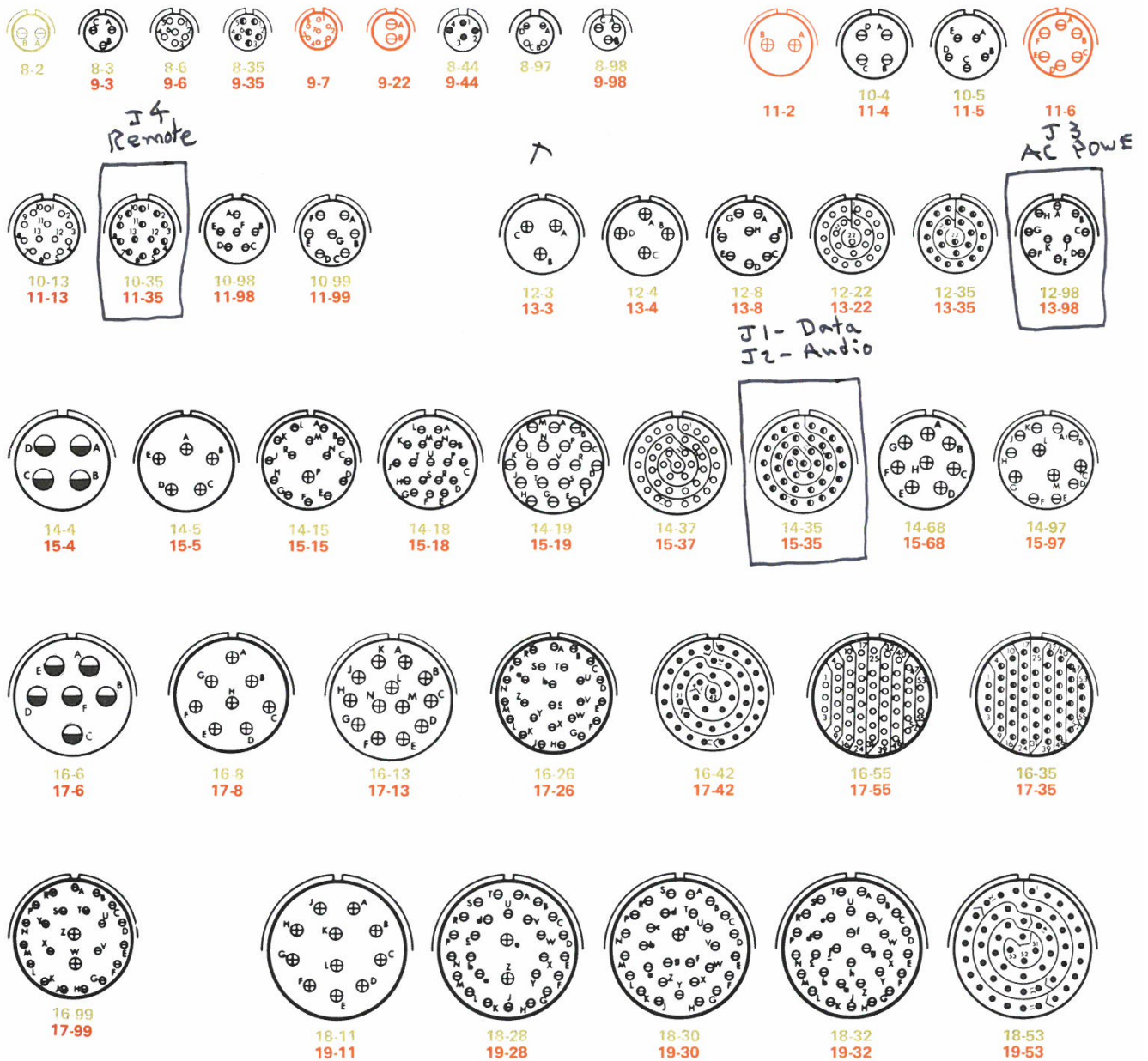
insert availability and identification (continued)

JT	LJT	Solder	Crimp	Hermetics		Service Rating	Total Con-tacts	Contact Size						
				Class H	Class Y*			22D	22M	22	20	16	12	8†† (Coax)
	21-27	X				I	27				27			
20-35			X			M	79	79						
	21-35		X											
20-39		X	X	P	P	I	39				37	2		
	21-39	X	X											
20-41		X	X	P	P	I	41				41			
	21-41	X	X											
	21-75		2			M	4							4†
22-1			X											
	23-1		X			M	100		100					
22-2		X	X	P	P									
	23-2	X	X	P	P	M	85			85				
22-14			2											
	23-14		3			I	14						14	
22-21		X	X	P	P									
	23-21	X	X	P	P	II	21				21			
22-32		X	X	F										
	23-32	X	P			I	32				32			
	23-34	X				I	34				34			
22-35			X											
	23-35		X			M	100	100						
	23-36	X				I	36				36			
22-53			P											
	23-53	X	X	P	P	I	53				53			
22-55		X	X	P	P									
	23-55		3			I	55				55			
	23-97	X				II	16					16		
	23-99	X				II	11					11		
24-1			X	P										
	25-1		X			M	128		128					
24-2			X											
	25-2		X	P	P	M	100			100				
24-4			X	P	P									
	25-4		X			I	56				48	8		
24-19			3											
	25-19		2			I	19						19	
24-24			X	P	P									
	25-24		X			I	24				12	12		
24-29			X	P	P									
	25-29	X	X			I	29				29			
24-35			X											
	25-35		X			M	128	128						
24-37			2											
	25-37		3			I	37				37			
24-43			3											
	25-43	X	2	P	P	I	43				23	20		
	25-46		2			I	46				40	4		2†
24-61		X	X	P	P									
	25-61	X	X	P	P	I	61				61			

(P) Pin inserts only (check factory for socket availability)
 (S) Socket inserts only (check factory for pin availability)
 (2) Not tooled for RP or O2RE
 (3) Pin insert only, not tooled for RP or O2RE (check factory for availability)
 *Y is same as H with interfacial seal
 †For RG180/U and RG195/U cables only (check factory for other cable applications)
 ††Coax contacts only

JT/LJT insert arrangements

black arrangements — JT or LJT
green arrangements — JT only
orange arrangements — LJT only



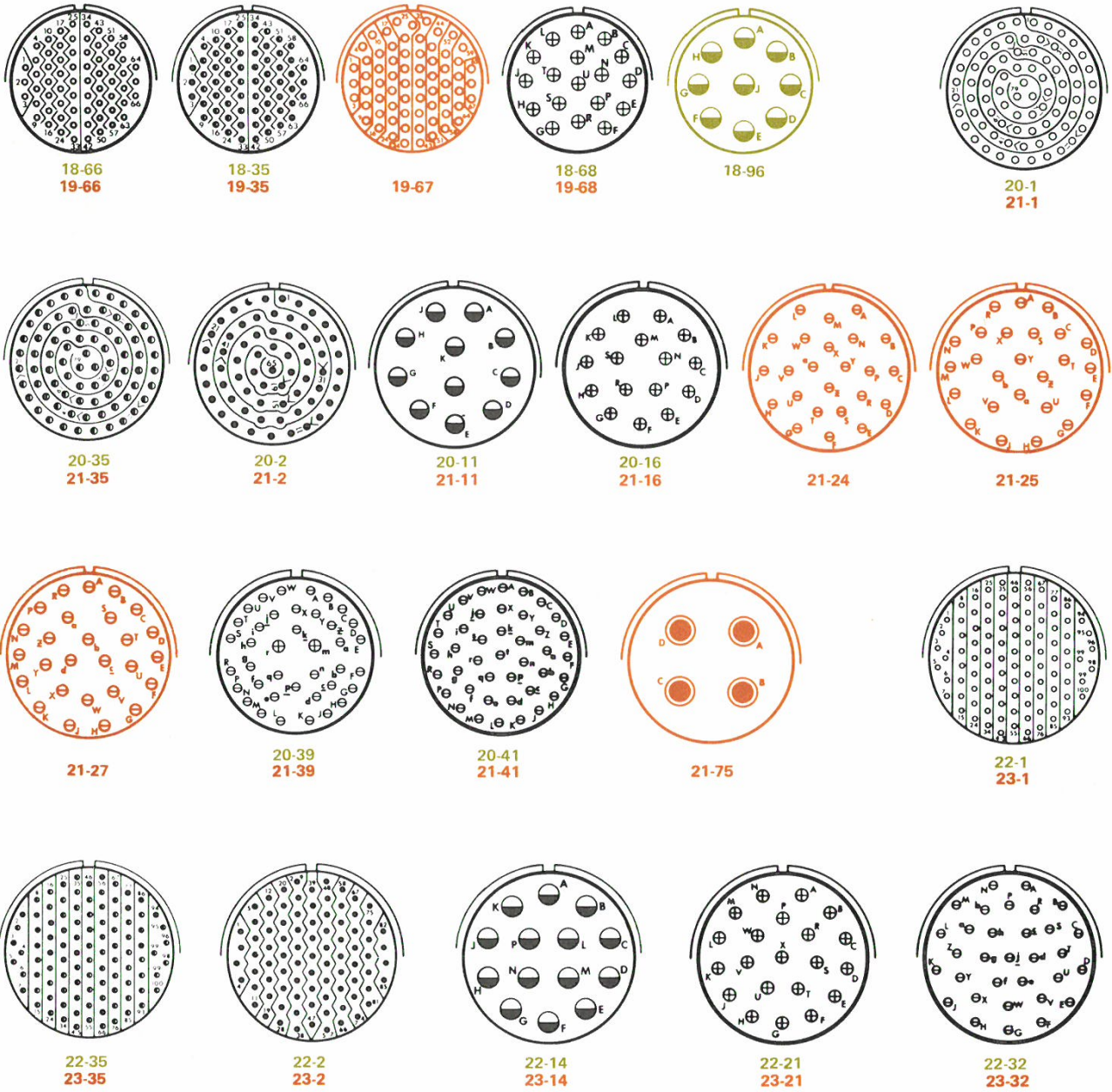
front face of pin inserts illustrated



JT/LJT

insert arrangements

black arrangements — JT or LJT
 green arrangements — JT only
 orange arrangements — LJT only

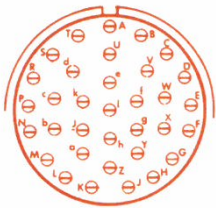


front face of pin inserts illustrated



JT/LJT insert arrangements

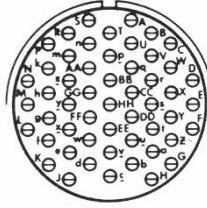
black arrangements — JT or LJT
 green arrangements — JT only
 orange arrangements — LJT only



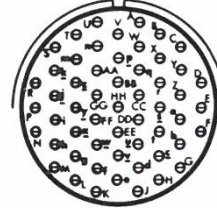
23-34



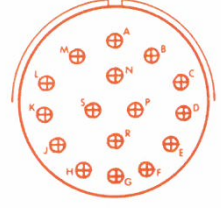
23-36



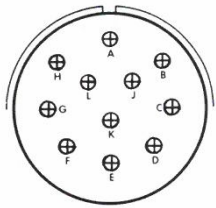
22-53
23-53



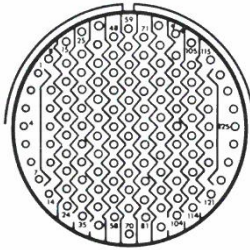
22-55
23-55



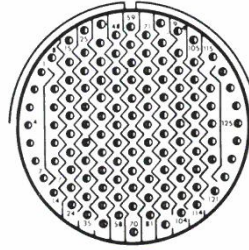
23-97



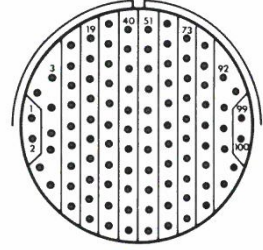
23-99



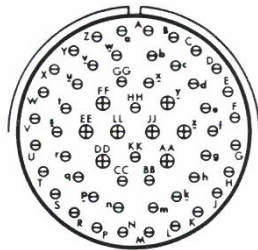
24-1
25-1



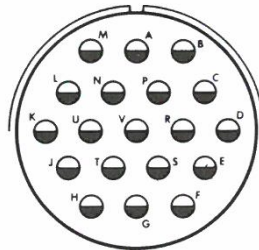
24-35
25-35



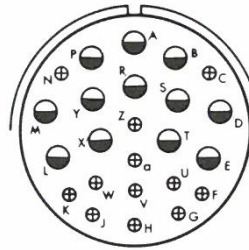
24-2
25-2



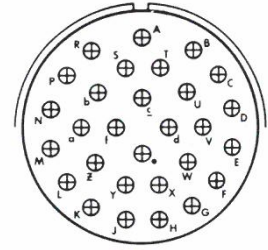
24-4
25-4



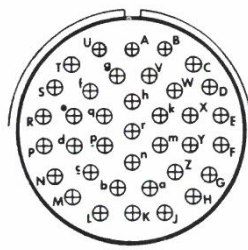
24-19
25-19



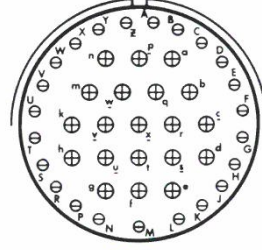
24-24
25-24



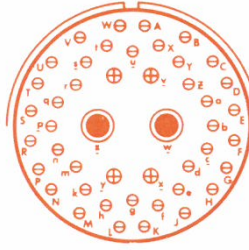
24-29
25-29



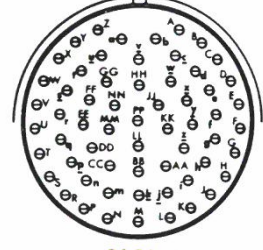
24-37
25-37



24-43
25-43



25-46

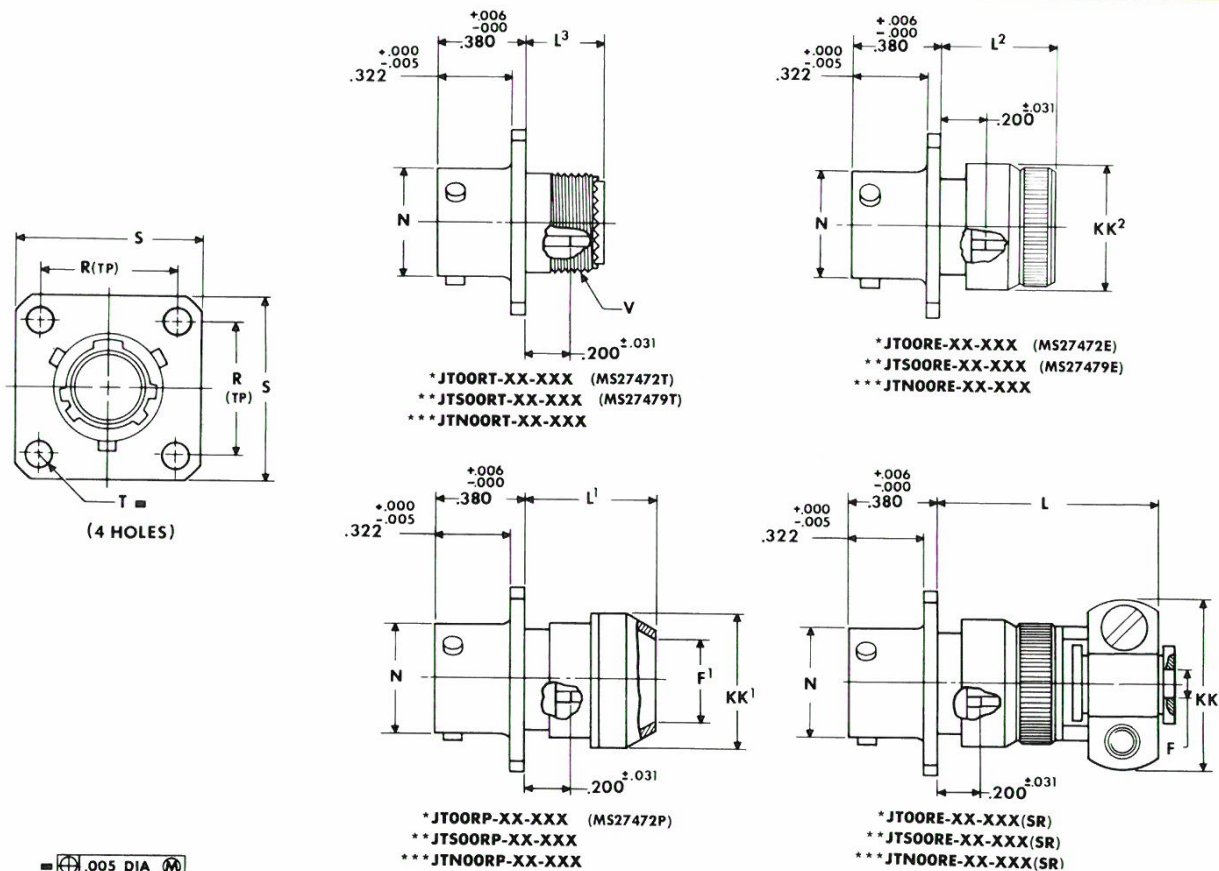


24-61
25-61

front face of pin inserts illustrated



JT – Crimp JT00R (MS27472) wall mounting receptacle

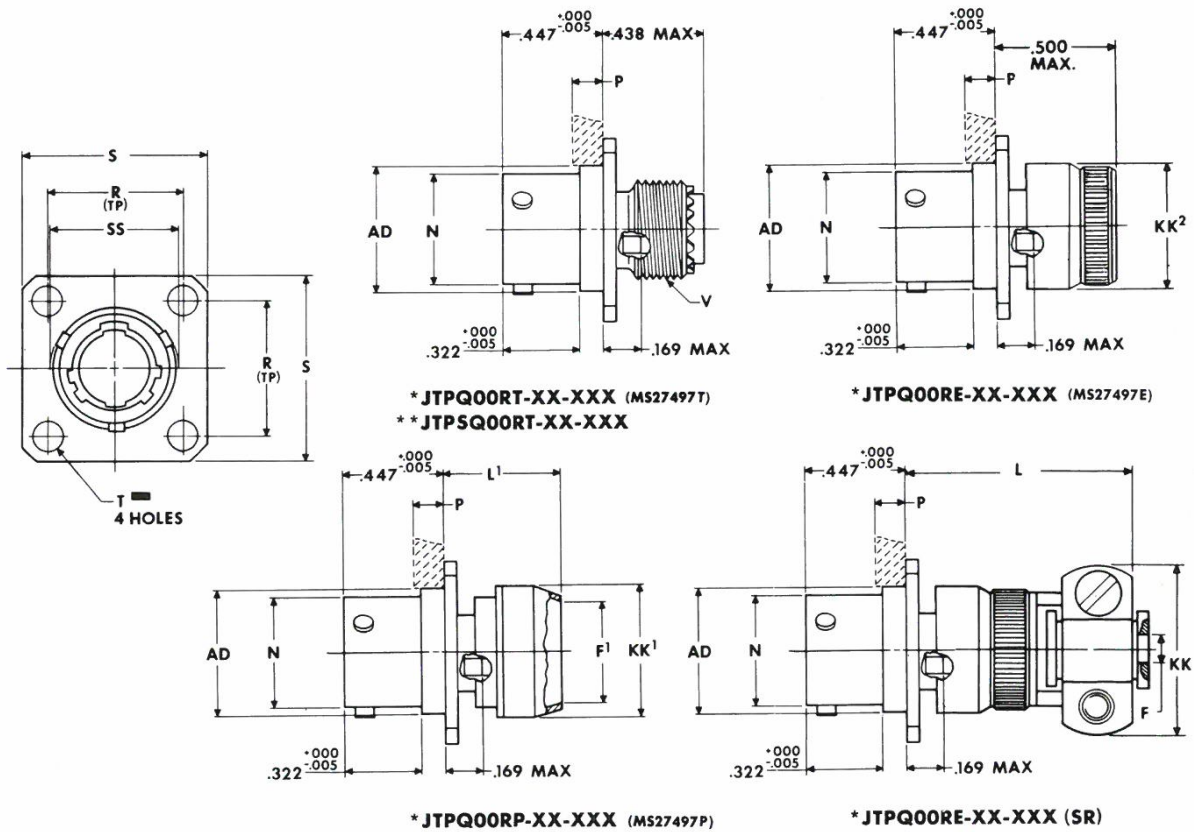


*To complete order number see page 52
 **High temperature version, to complete order number see page 52
 ***Clear iridite finish (gold color), N₂O₄ resistant, to complete order number see page 52

Shell Size	KK Max.	KK ¹ Dia. Max.	KK ² Dia. Max.	F Dia. +.010 - .025	F ¹ Dia.	L Max.	L ¹ Max.	L ² Max.	L ³ Max.	R (TP)	S ±.016	T ±.005	N +.001 - .005	V Thread Modified	
														Class 2A	Modified Major Dia.
8	.812	.625	.578	.125	.444	1.094	.609	.547	.500	.594	.812	.120	.473	.4375-28UNEF	.421- .417
10	.875	.750	.703	.188	.558	1.094	.609	.547	.500	.719	.938	.120	.590	.5625-24UNEF	.542- .538
12	1.000	.875	.828	.312	.683	1.094	.609	.547	.500	.812	1.031	.120	.750	.6875-24UNEF	.667- .663
14	1.125	1.000	.953	.375	.808	1.344	.609	.547	.500	.906	1.125	.120	.875	.8125-20UNEF	.791- .787
16	1.188	1.125	1.078	.500	.909	1.344	.609	.547	.500	.969	1.219	.120	1.000	.9375-20UNEF	.916- .912
18	1.438	1.250	1.203	.625	1.034	1.344	.609	.547	.500	1.062	1.312	.120	1.125	1.0625-18UNEF	1.034-1.030
20	1.438	1.375	1.328	.625	1.159	1.344	.609	.547	.500	1.156	1.438	.120	1.250	1.1875-18UNEF	1.158-1.154
22	1.625	1.500	1.453	.750	1.284	1.469	.609	.547	.500	1.250	1.562	.120	1.375	1.3125-18UNEF	1.283-1.279
24	1.719	1.625	1.578	.800	1.409	1.469	.688	.547	.500	1.375	1.688	.147	1.500	1.4375-18UNEF	1.408-1.404

All dimensions for reference only

JT – Crimp JTPQ00R (MS27497) wall mounting receptacle (back panel mounting)



⊕ .005 DIA Ⓜ

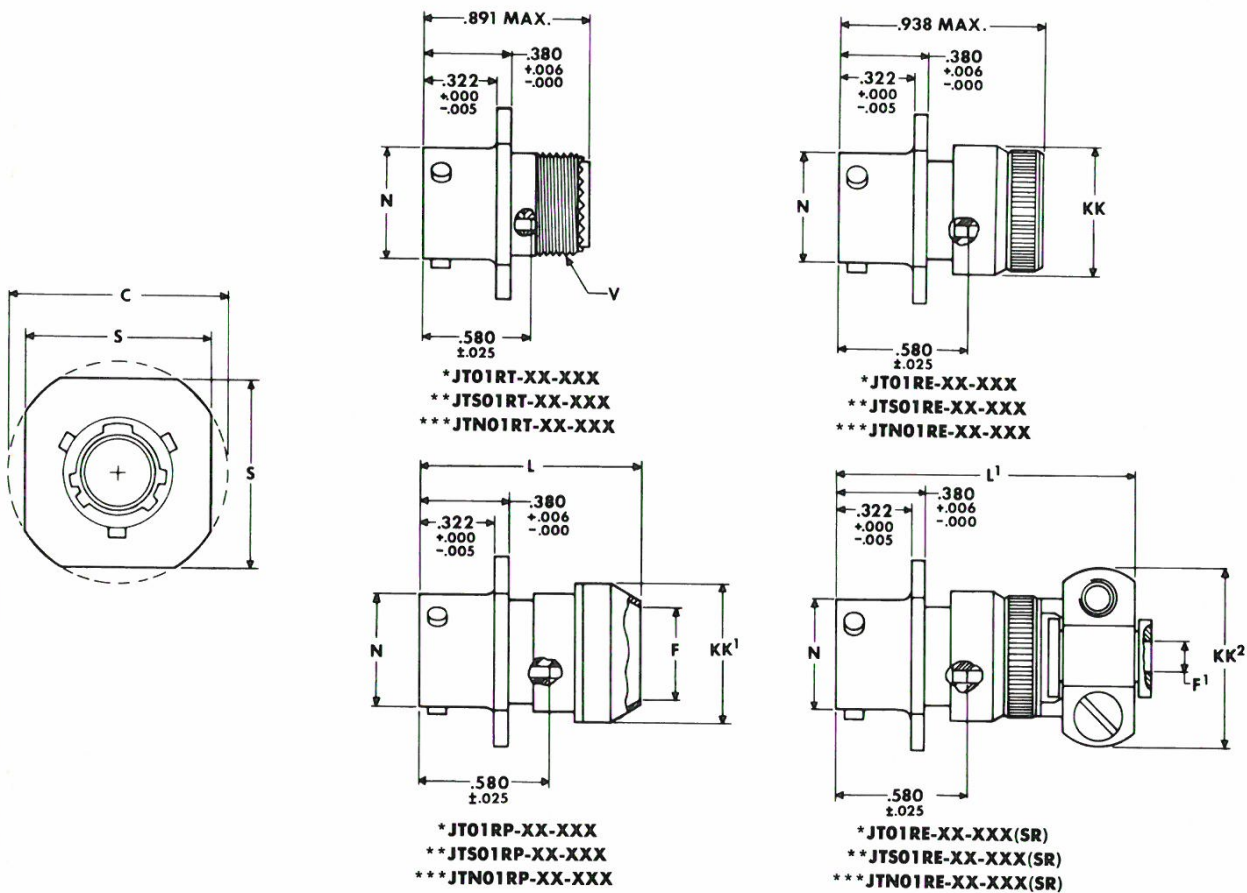
*To complete order number see page 52

**High temperature version, to complete order number see page 52

Shell Size	F Dia. +.010 -.025	F ¹ Dia. ±.010	L Max.	L ¹ Max.	N Dia. +.001 -.005	P Max. Panel Thickness	R (TP)	S ±.016	T Dia. ±.005	V Thread UNEF Class 2A (Plated)	AD Dia. ±.005	KK Max.	KK ¹ Dia. Max.	KK ² Dia. Max.	SS Dia. +.000 -.016
8	.125	.444	1.140	.468	.473	.142	.594	.812	.120	.4375-28	.516	.781	.625	.578	.563
10	.188	.558	1.140	.468	.590	.142	.719	.938	.120	.5625-24	.633	.844	.750	.703	.680
12	.312	.683	1.140	.468	.750	.142	.812	1.031	.120	.6875-24	.802	.969	.875	.828	.859
14	.375	.808	1.375	.468	.875	.142	.906	1.125	.120	.8125-20	.927	1.094	1.000	.953	.984
16	.500	.909	1.375	.468	1.000	.142	.969	1.219	.120	.9375-20	1.052	1.154	1.125	1.078	1.108
18	.625	1.034	1.375	.468	1.125	.142	1.062	1.312	.120	1.0625-18	1.177	1.406	1.250	1.203	1.233
20	.625	1.159	1.375	.468	1.250	.142	1.156	1.438	.120	1.1875-18	1.302	1.406	1.375	1.328	1.358
22	.750	1.284	1.516	.468	1.375	.142	1.250	1.562	.120	1.3125-18	1.427	1.594	1.500	1.453	1.483
24	.800	1.409	1.500	.540	1.500	.142	1.375	1.688	.147	1.4375-18	1.552	1.688	1.625	1.578	1.610

All dimensions for reference only.

JT – Crimp JT01R line receptacle

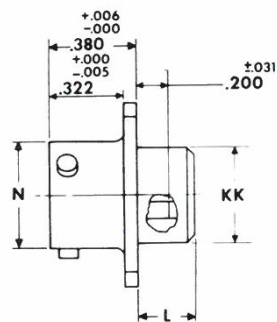
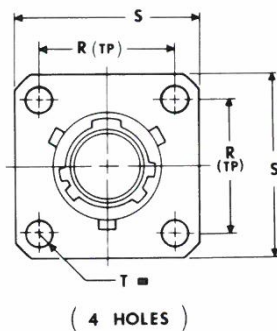


*To complete order number see page 52
 **High temperature version, to complete order number see page 52
 ***Clear iridite finish (gold color), N₂O₄ resistant, to complete order number see page 52

Shell Size	KK Dia. Max.	KK ¹ Dia. Max.	KK ² Dia. Max.	C Max.	F Dia. ±.010	F ¹ Dia. +.010 - .025	L Max.	L ¹ Max.	N Dia. +.001 - .005	S +.017 - .016	V Thread Modified	
											Class 2A (Plated)	Modified Major Dia.
8	.578	.625	.812	.965	.444	.125	1.031	1.562	.473	.812	.4375-28UNEF	.421- .417
10	.703	.750	.875	1.089	.558	.188	1.031	1.562	.590	.938	.5625-24UNEF	.542- .538
12	.828	.875	1.000	1.183	.683	.312	1.031	1.562	.750	1.031	.6875-24UNEF	.667- .663
14	.953	1.000	1.125	1.277	.808	.375	1.031	1.812	.875	1.125	.8125-20UNEF	.791- .787
16	1.078	1.125	1.188	1.371	.909	.500	1.031	1.812	1.000	1.219	.9375-20UNEF	.916- .912
18	1.203	1.250	1.438	1.465	1.034	.625	1.031	1.812	1.125	1.312	1.0625-18UNEF	1.034-1.030
20	1.328	1.375	1.438	1.589	1.159	.625	1.031	1.812	1.250	1.438	1.1875-18UNEF	1.158-1.154
22	1.453	1.500	1.625	1.715	1.284	.750	1.031	1.938	1.375	1.562	1.3125-18UNEF	1.283-1.279
24	1.578	1.625	1.719	1.838	1.409	.800	1.109	1.938	1.500	1.688	1.4375-18UNEF	1.408-1.404

All dimensions for reference only

JT – Crimp JT02R (MS27499) box mounting receptacle



- * JT02RE-XX-XXX (MS27499E)
- ** JT502RE-XX-XXX (MS27504E)
- *** JTN02RE-XX-XXX
- * JT02RP-XX-XXX
- ** JT502RP-XX-XXX
- *** JTN02RP-XX-XXX

⊕ .005 DIA (M)

- *To complete order number see page 52.
- **High temperature version, to complete order number see page 52.
- ***Clear iridite finish (gold color), N₂O₄ resistant, to complete order number see page 52.

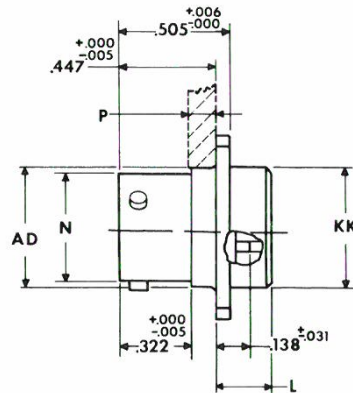
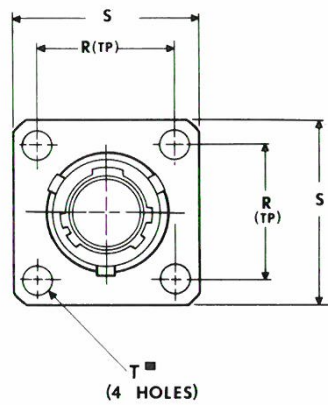
J3
J1, J2

Shell Size	L Max.	KK Max.	N +.001 -.005	S ±.016	R (TP)	T ±.005
8	.286	.438	.473	.812	.594	.120
10	.286	.563	.590	.938	.719	.120
12	.286	.688	.750	1.031	.812	.120
14	.286	.813	.875	1.125	.906	.120
16	.286	.938	1.000	1.219	.969	.120
18	.286	1.047	1.125	1.312	1.062	.120
20	.286	1.172	1.250	1.438	1.156	.120
22	.286	1.297	1.375	1.562	1.250	.120
24	.286	1.422	1.500	1.688	1.375	.147

All dimensions for reference only

NOTE: For applications requiring an environmental seal please refer to JT00R, see page 10.

JT – Crimp JTP02R (MS27508) box mounting receptacle (back panel mounting)



- * JTP02RE-XX-XXX (MS27508E)
- ** JTPN02RE-XX-XXX
- *** JTPS02RE-XX-XXX
- * JTP02RP-XX-XXX
- ** JTPN02RP-XX-XXX
- *** JTPS02RP-XX-XXX

⊕ .005 DIA Ⓜ

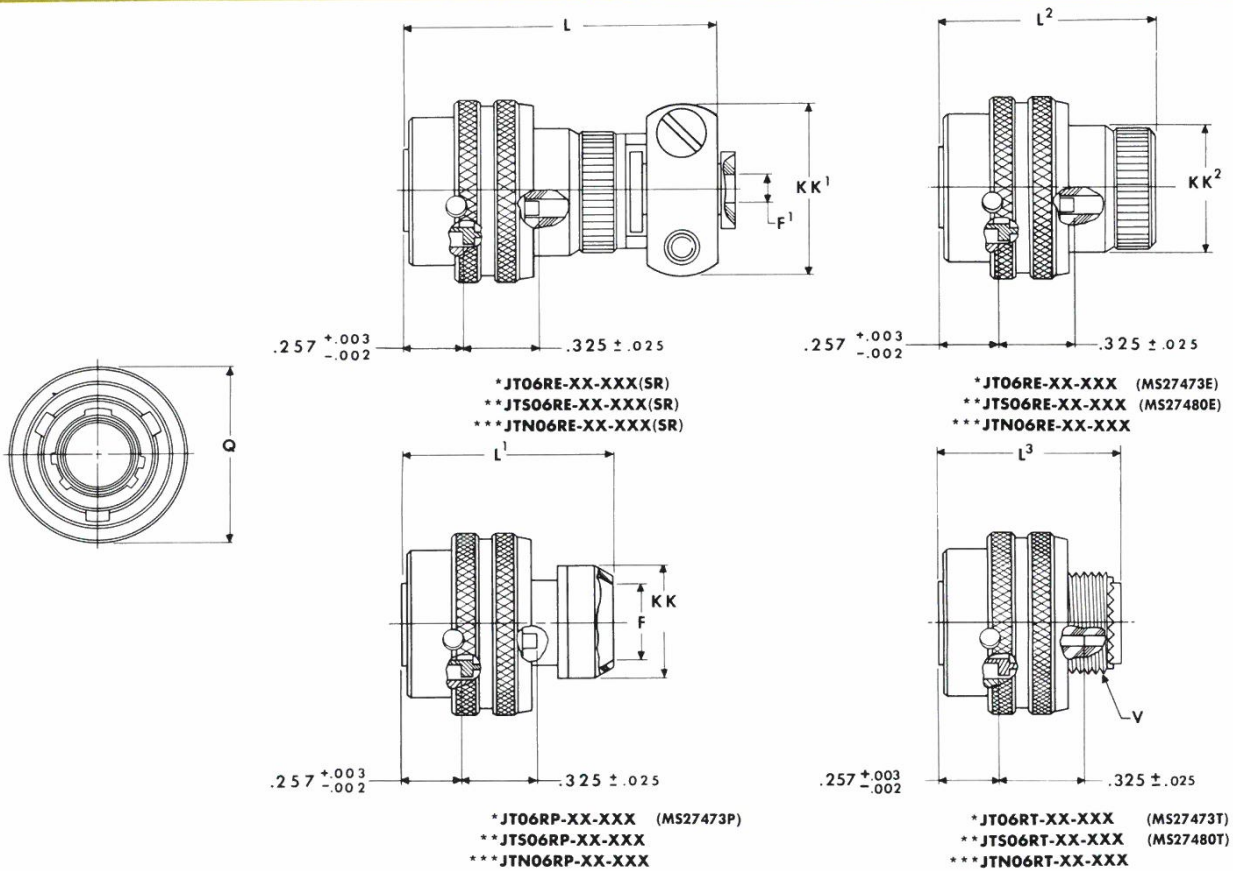
*To complete order number see page 52.
 **High temperature version, to complete order number see page 52.
 ***Clear iridite finish (gold color), N_2O_4 resistant, to complete order number see page 52.

J4

Shell Size	N Dia. $^{+.001}_{-.005}$	R (TP)	S $±.016$	L Max.	AD Dia. $±.005$	T Dia. $±.005$	P Max. Panel Thickness	KK Max.
8	.473	.594	.812	.225	.516	.120	.147	.531
10	.590	.719	.938	.225	.633	.120	.152	.656
12	.750	.812	1.031	.225	.802	.120	.152	.828
14	.875	.906	1.125	.225	.927	.120	.152	.953
16	1.000	.969	1.219	.225	1.052	.120	.152	1.078
18	1.125	1.062	1.312	.225	1.177	.120	.152	1.203
20	1.250	1.156	1.438	.225	1.302	.120	.179	1.328
22	1.375	1.250	1.562	.225	1.427	.120	.179	1.453
24	1.500	1.375	1.688	.225	1.552	.147	.169	1.578

All dimensions for reference only

JT – Crimp JT06R (MS27473) straight plug

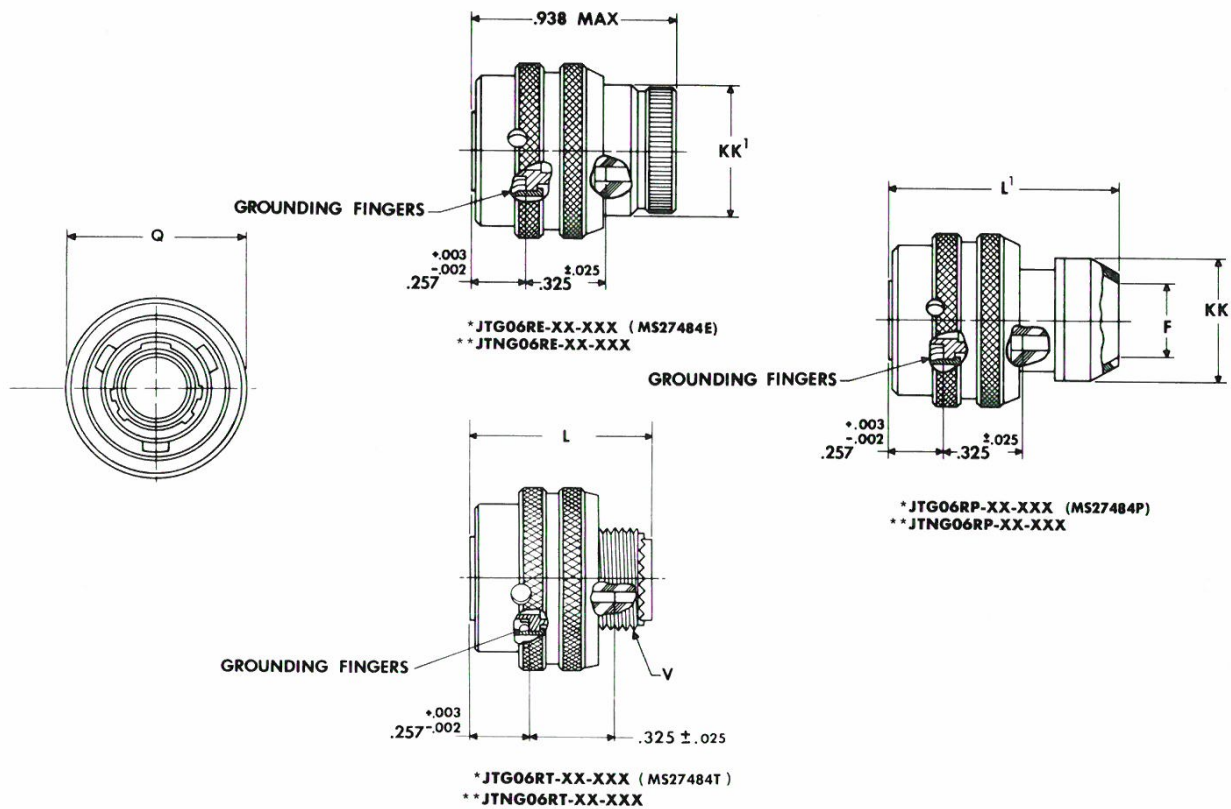


*To complete order number see page 52
 **High temperature version, to complete order number see page 52
 ***Clear iridite finish (gold color), N₂O₄ resistant, to complete order number see page 52

Shell Size	KK Dia. Max.	KK ¹ Max.	KK ² Max.	F Dia.	F ¹ Dia. +.010 - .025	L Max.	L ¹ Max.	L ² Max.	L ³ Max.	Q Dia. Max.	V Thread Modified	
											Class 2A	Modified Major Dia.
8	.625	.812	.578	.444	.125	1.562	1.000	.938	.891	.734	.4375-28UNEF	.421- .417
10	.750	.875	.703	.558	.188	1.562	1.000	.938	.891	.844	.5625-24UNEF	.542- .538
12	.875	1.000	.828	.683	.312	1.562	1.000	.938	.891	1.016	.6875-24UNEF	.667- .663
14	1.000	1.125	.953	.808	.375	1.812	1.000	.938	.891	1.141	.8125-20UNEF	.791- .787
16	1.125	1.188	1.078	.909	.500	1.812	1.000	.938	.891	1.265	.9375-20UNEF	.916- .912
18	1.250	1.438	1.203	1.034	.625	1.812	1.000	.938	.891	1.391	1.0625-18UNEF	1.034-1.030
20	1.375	1.438	1.328	1.159	.625	1.812	1.000	.938	.891	1.500	1.1875-18UNEF	1.158-1.154
22	1.500	1.625	1.453	1.284	.750	1.938	1.000	.938	.891	1.625	1.3125-18UNEF	1.283-1.279
24	1.625	1.719	1.578	1.409	.800	1.938	1.062	.938	.891	1.750	1.4375-18UNEF	1.408-1.404

All dimensions for reference only

JT – Crimp JTG06R (MS27484) straight plug (with grounding fingers)

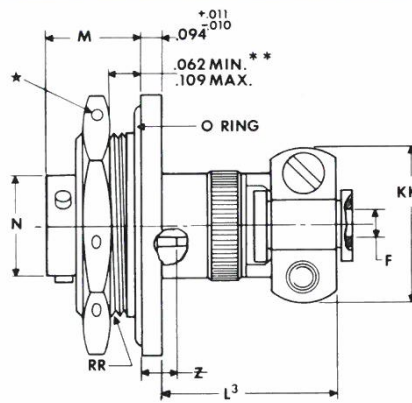
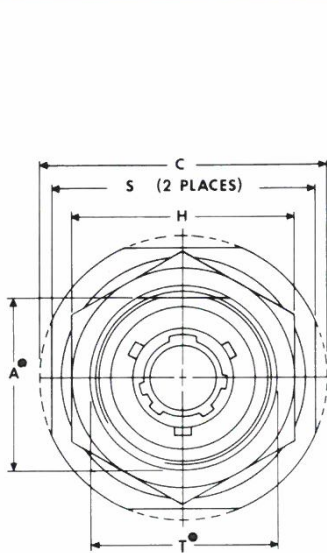


*To complete order number see page 52
**Clear finish (gold color), N₂O₄ resistant, to complete order number see page 52

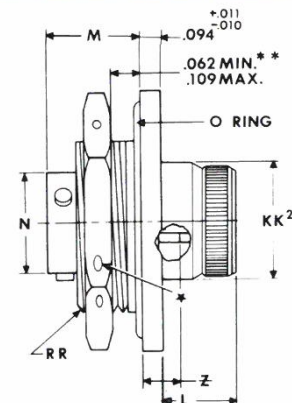
Shell Size	L Max.	L ¹ Max.	Q Dia. Max.	KK Dia. Max.	KK ¹ Max.	F Dia.	V Thread Modified	
							Class 2A	Modified Major Dia.
8	.891	1.000	.734	.625	.578	.444	.4375-28UNEF	.421-.417
10	.891	1.000	.844	.750	.703	.558	.5625-24UNEF	.542-.538
12	.891	1.000	1.016	.875	.828	.683	.6875-24UNEF	.667-.663
14	.891	1.000	1.141	1.000	.953	.808	.8125-20UNEF	.791-.787
16	.891	1.000	1.265	1.125	1.078	.909	.9375-20UNEF	.916-.912
18	.891	1.000	1.391	1.250	1.203	1.034	1.0625-18UNEF	1.034-1.030
20	.891	1.000	1.500	1.375	1.328	1.159	1.1875-18UNEF	1.158-1.154
22	.891	1.000	1.625	1.500	1.453	1.284	1.3125-18UNEF	1.283-1.279
24	.891	1.062	1.750	1.625	1.578	1.409	1.4375-18UNEF	1.408-1.404

All dimensions for reference only

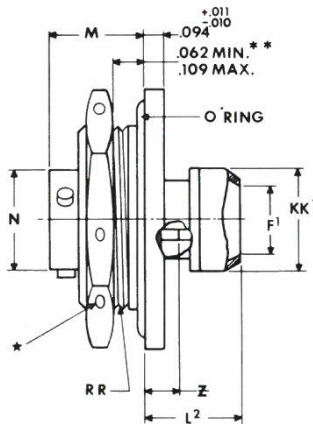
JT – Crimp JT07R (MS27474) jam nut receptacle



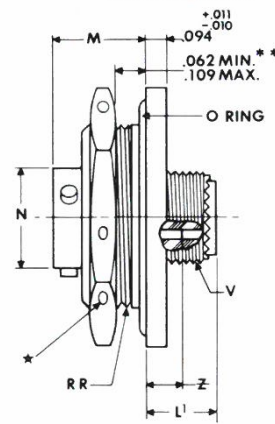
*JT07RE-XX-XXX (SR)
***JTS07RE-XX-XXX (SR)
****JTN07RE-XX-XXX (SR)



*JT07RE-XX-XXX (MS27474E)
***JTS07RE-XX-XXX (MS27481E)
****JTN07RE-XX-XXX



*JT07RP-XX-XXX (MS27474P)
***JTS07RP-XX-XXX
****JTN07RP-XX-XXX



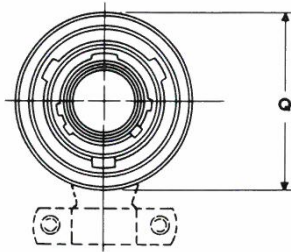
*JT07RT-XX-XXX (MS27474T)
***JTS07RT-XX-XXX (MS27481T)
****JTN07RT-XX-XXX

- *.059 dia. min. 3 lockwire holes.
- "D" shaped mtg. hole dimensions.
- *To complete order number see page 52
- **Panel thickness.
- ***High temperature version, to complete order number see page 52
- ****Clear iridite finish (gold color) N₂O₂ resistant, to complete order number see page 52

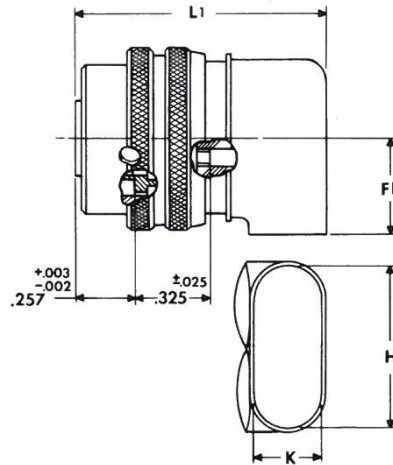
Sh. Sz.	A* +.000 -.010	KK Max.	KK1 Dia. Max.	KK2 Dia. Max.	L Max.	L1 Max.	L2 Max.	L3 Max.	F Dia. +.010 -.025	F1 Dia.	M ±.005	H Hex +.017 -.016	S ±.016	Z ±.031	RR Thread (Plated) Class 2A	V Thread Modified		C Max.	T* +.010 -.000	N +.001 -.005
																Class 2A	Modified Major Dia.			
8	.830	.812	.625	.578	.484	.453	.563	1.047	.125	.444	.438	1.062	1.250	.144	.8750-20UNEF	.4375-28UNEF	.421- .417	1.390	.884	.473
10	.955	.875	.750	.703	.484	.453	.563	1.047	.188	.558	.438	1.188	1.375	.144	1.0000-20UNEF	.5625-24UNEF	.542- .538	1.515	1.007	.590
12	1.084	1.000	.875	.828	.484	.453	.563	1.047	.312	.683	.438	1.312	1.500	.144	1.1250-18UNEF	.6875-24UNEF	.667- .663	1.640	1.134	.750
14	1.208	1.125	1.000	.953	.484	.453	.563	1.297	.375	.808	.438	1.438	1.625	.144	1.2500-18UNEF	.8125-20UNEF	.791- .787	1.765	1.259	.875
16	1.333	1.188	1.125	1.078	.484	.453	.563	1.297	.500	.909	.438	1.562	1.781	.144	1.3750-18UNEF	.9375-20UNEF	.916- .912	1.953	1.384	1.000
18	1.459	1.438	1.250	1.203	.484	.453	.563	1.297	.625	1.034	.438	1.688	1.890	.144	1.5000-18UNEF	1.0625-18UNEF	1.034-1.030	2.031	1.507	1.125
20	1.576	1.438	1.375	1.328	.453	.422	.531	1.266	.625	1.159	.464	1.812	2.016	.118	1.6250-18UNEF	1.1875-18UNEF	1.158-1.154	2.156	1.634	1.250
22	1.701	1.625	1.500	1.453	.453	.422	.531	1.391	.750	1.284	.464	2.000	2.140	.118	1.7500-18UNS	1.3125-18UNEF	1.283-1.279	2.280	1.759	1.375
24	1.826	1.719	1.625	1.578	.375	.422	.609	1.391	.800	1.409	.464	2.125	2.265	.118	1.8750-16UN	1.4375-18UNEF	1.408-1.404	2.405	1.884	1.500

All dimensions for reference only

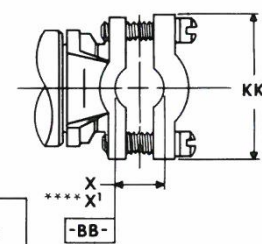
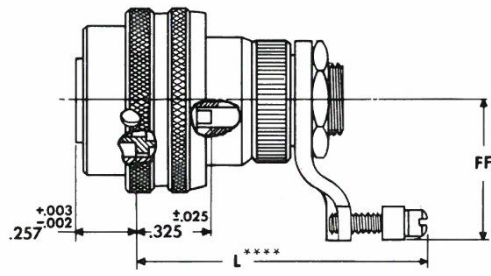
JT – Crimp JT08R (MS27500) 90° plug



* JT08RP-XX-XXX
** JTS08RP-XX-XXX
*** JTN08RP-XX-XXX



* JT08RE-XX-XXX (MS27500E)
** JTS08RE-XX-XXX
*** JTN08RE-XX-XXX
* JT08RE-XX-XXX(SR)
** JTS08RE-XX-XXX(SR)
*** JTN08RE-XX-XXX(SR)

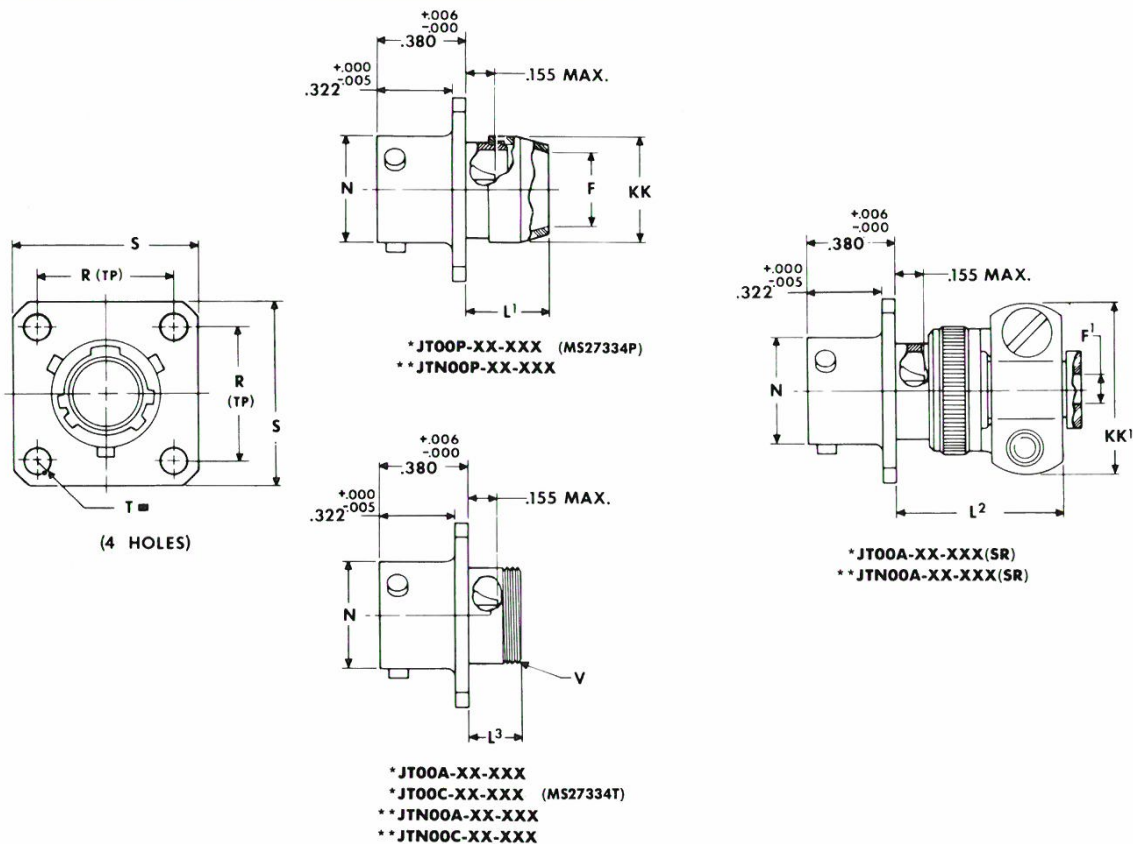


*To complete order number see page 52
**High temperature version, to complete order number see page 52
***Clear iridite finish (gold color) N₂O₄ resistant, to complete order number see page 52
****Dimensions L and X¹ are applicable when the end of the screw is flush with surface BB.

Shell Size	KK Max.	FF Max.	FF ¹ Max.	Q Dia. Max.	X Min. Cable	X ¹ Max. Cable	H	K	L Max.	L ¹ Max.
8	.755	.438	.984	.734	.082	.234	.547	.156	1.578	1.125
10	.755	.516	1.016	.844	.082	.234	.709	.188	1.578	1.156
12	.817	.594	1.078	1.016	.114	.328	.829	.281	1.656	1.250
14	.943	.656	1.203	1.141	.176	.457	1.000	.438	1.844	1.406
16	1.067	.719	1.265	1.265	.238	.634	1.021	.500	2.000	1.469
18	1.149	.781	1.328	1.391	.208	.614	1.145	.562	2.046	1.531
20	1.399	.844	1.359	1.500	.302	.608	1.270	.625	2.125	1.594
22	1.399	.906	1.421	1.625	.302	.823	1.395	.688	2.250	1.656
24	1.587	.969	1.703	1.750	.332	.853	1.520	.750	2.422	1.797

All dimensions for reference only

JT – Solder JT00 (MS27334) wall mounting receptacle



⊕ .005 DIA ⊗

*To complete order number see page 52.

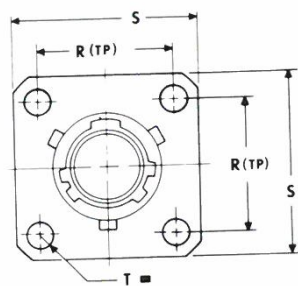
**Clear iridite finish (gold color), N₂O₄ resistant, to complete order number see page 52.

NOTE: For availability of back panel mounting types, check with our sales office nearest you.

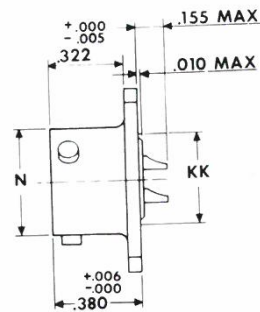
Shell Size	N +.001 -.005	F Dia. Min.	F ¹ +.010 -.025	S ±.016	R (TP)	T ±.005	KK Dia. Max.	KK ¹ Max.	V Thread Modified		L ¹ Max.	L ² Max.	L ³ Max.
									Size Class 2A	Modified Major Dia.			
8	.473	.312	.125	.812	.594	.120	.500	.812	.4375-28UNEF	.421- .417	.422	.734	.234
10	.590	.429	.188	.938	.719	.120	.625	.875	.5625-24UNEF	.542- .538	.422	.734	.234
12	.750	.543	.312	1.031	.812	.120	.750	1.000	.6875-24UNEF	.667- .663	.422	.734	.234
14	.875	.668	.375	1.125	.906	.120	.875	1.125	.8125-20UNEF	.791- .787	.422	.797	.234
16	1.000	.793	.500	1.219	.969	.120	1.000	1.188	.9375-20UNEF	.916- .912	.422	.797	.234
18	1.125	.894	.625	1.312	1.062	.120	1.109	1.438	1.0625-18UNEF	1.034-1.030	.422	.797	.234
20	1.250	1.019	.625	1.438	1.156	.120	1.234	1.438	1.1875-18UNEF	1.158-1.154	.422	.859	.234
22	1.375	1.144	.750	1.562	1.250	.120	1.359	1.625	1.3125-18UNEF	1.283-1.279	.422	.859	.234
24	1.500	1.269	.800	1.688	1.375	.147	1.484	1.719	1.4375-18UNEF	1.408-1.404	.422	.922	.313

All dimensions for reference only

JT – Solder JT02 (MS27335) box mounting receptacle



(4 HOLES)



- * JT02P-XX-XXX
- * JT02A-XX-XXX
- * JT02C-XX-XXX (MS27335T)
- ** JTNO2P-XX-XXX
- ** JTNO2A-XX-XXX
- ** JTNO2C-XX-XXX

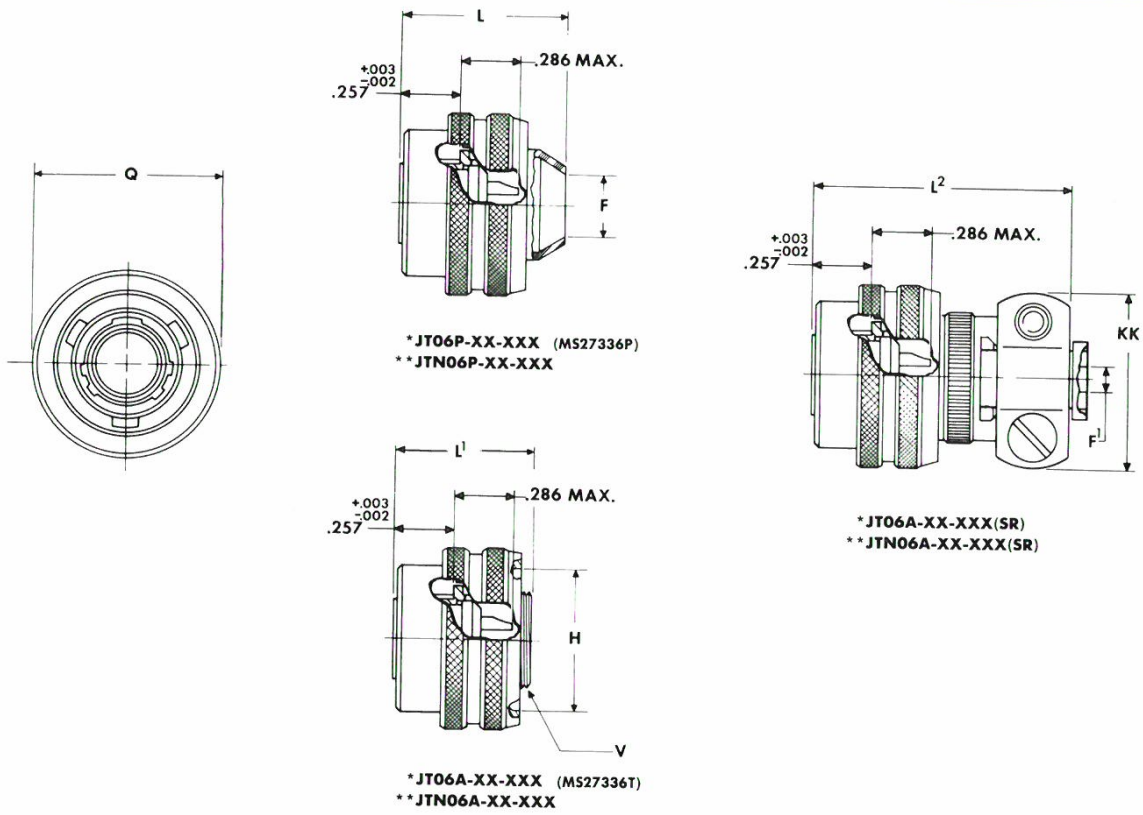
⊕ .005 DIA (M)

*To complete order number see page 52.
**Clear iridite finish (gold color), N₂O₄ resistant. To complete order number see page 52.
NOTE: For availability of back panel mounting types, check with our sales office nearest you.

Shell Size	N +.001 -.005	KK Max.	R (TP)	S ±.016	T ±.005
8	.473	.391	.594	.812	.120
10	.590	.508	.719	.938	.120
12	.750	.622	.812	1.031	.120
14	.875	.749	.906	1.125	.120
16	1.000	.872	.969	1.219	.120
18	1.125	.976	1.062	1.312	.120
20	1.250	1.101	1.156	1.438	.120
22	1.375	1.226	1.250	1.562	.120
24	1.500	1.351	1.375	1.688	.147

All dimensions for reference only

JT – Solder JT06 (MS27336) straight plug

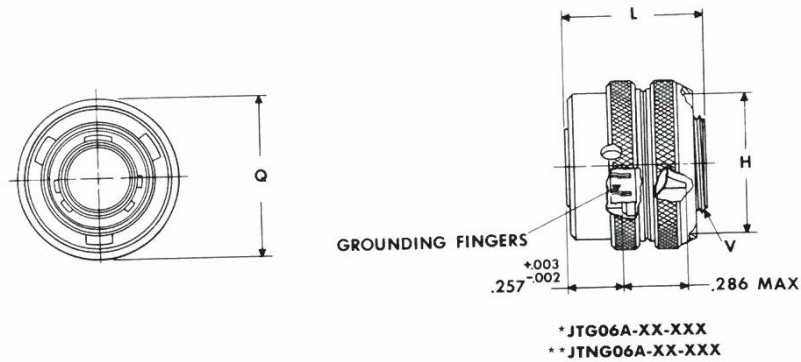


*To complete order number see page 52
**Clear iridite finish (gold color) N₂O₄ resistant, to complete order number see page 52

Shell Size	L Max.	L ¹ Max.	L ² Max.	F Min.	F ¹ +.010 -.025	KK Max.	H +.010 -.001	V Thread Modified		Q Max.
								Size Class 2A	Modified Major Dia.	
8	.812	.625	1.109	.312	.125	.812	.620	.4375-28UNEF	.421- .417	.734
10	.812	.625	1.109	.429	.188	.875	.746	.5625-24UNEF	.542- .538	.844
12	.812	.625	1.109	.543	.312	1.000	.870	.6875-24UNEF	.667- .663	1.016
14	.812	.625	1.172	.668	.375	1.125	.996	.8125-20UNEF	.791- .787	1.141
16	.828	.625	1.172	.793	.500	1.188	1.122	.9375-20UNEF	.916- .912	1.265
18	.828	.625	1.172	.894	.625	1.438	1.246	1.0625-18UNEF	1.034-1.030	1.391
20	.828	.625	1.234	1.019	.625	1.438	1.372	1.1875-18UNEF	1.158-1.154	1.500
22	.828	.625	1.234	1.144	.750	1.625	1.496	1.3125-18UNEF	1.283-1.279	1.625
24	.906	.688	1.297	1.269	.800	1.719	1.622	1.4375-18UNEF	1.408-1.404	1.750

All dimensions for reference only

JT – Solder JTG06A straight plug (with grounding fingers)



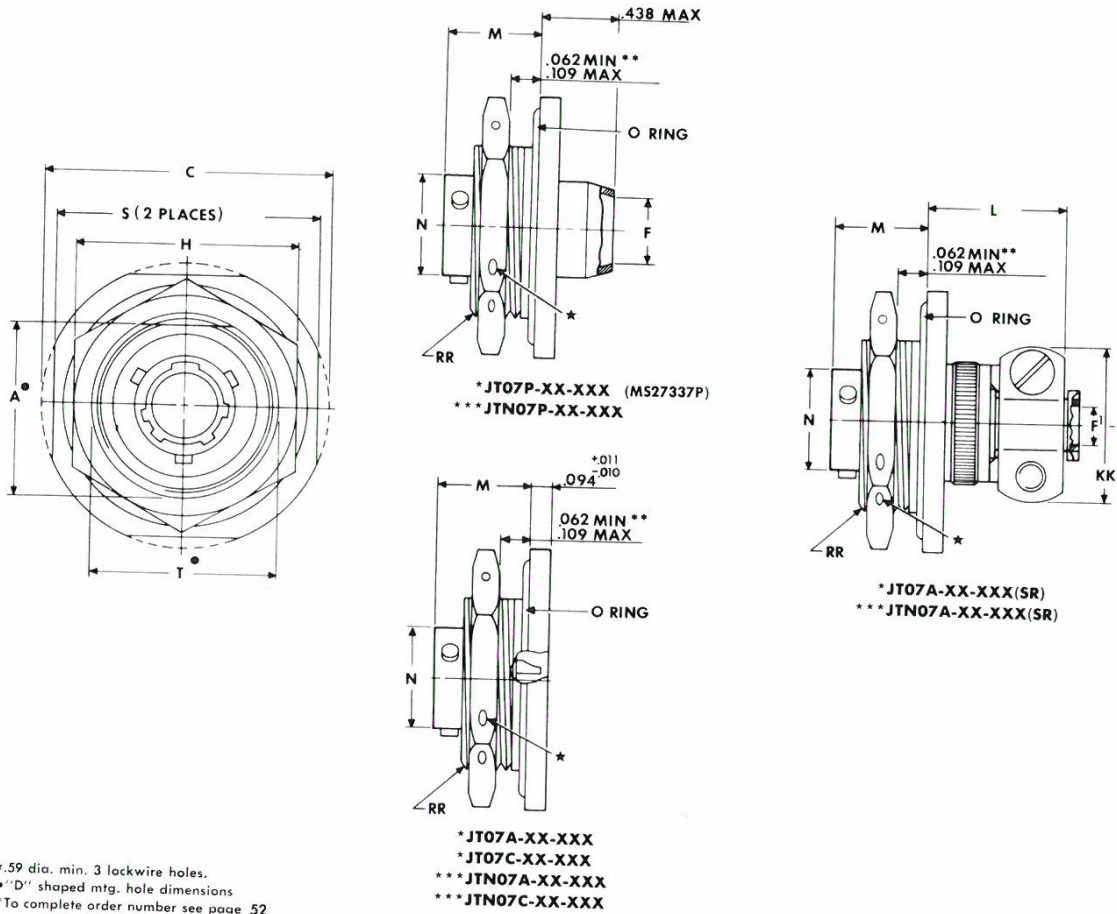
*To complete order number see page 52.

**Coupling nut is clear iridite finish (gold color), shell and grounding fingers are gold plated, N_2O_4 resistant, to complete order number see page 52.

Shell Size	L Max.	Q Dia. Max.	V Thread Modified		H Dia. $+.010$ $-.001$
			Size Class 2A	Modified Major Dia.	
8	.625	.734	.4375-28UNEF	.421- .417	.620
10	.625	.844	.5625-24UNEF	.542- .538	.746
12	.625	1.016	.6875-24UNEF	.667- .663	.870
14	.625	1.141	.8125-20UNEF	.791- .787	.996
16	.625	1.265	.9375-20UNEF	.916- .912	1.122
18	.625	1.391	1.0625-18UNEF	1.034-1.030	1.246
20	.625	1.500	1.1875-18UNEF	1.158-1.154	1.372
22	.625	1.625	1.3125-18UNEF	1.283-1.279	1.496
24	.688	1.750	1.4375-18UNEF	1.408-1.404	1.622

All dimensions for reference only

JT – Solder JT07 (MS27337) jam nut receptacle

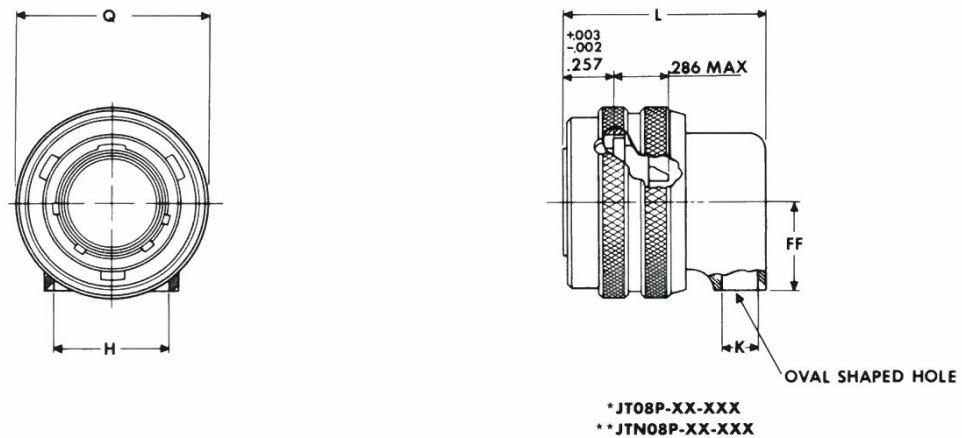


*.59 dia. min. 3 lockwire holes.
 **D" shaped mtg. hole dimensions
 *To complete order number see page 52
 **Panel Thickness.
 ***Clear iridite finish (gold color) N₂O₄ resistant, to complete order number see page 52

Shell Size	L Max.	M ±.005	N $^{+.001}_{-.005}$	RR Thread Class 2A	KK Max.	C Max.	S ±.016	H $^{+.017}_{-.016}$	T* $^{+.010}_{-.000}$	A* $^{+.000}_{-.010}$	F Min.	F1 $^{+.010}_{-.025}$
8	.666	.438	.473	.8750-20UNEF	.812	1.390	1.250	1.062	.884	.830	.312	.125
10	.666	.438	.590	1.0000-20UNEF	.875	1.515	1.375	1.188	1.007	.955	.429	.188
12	.666	.438	.750	1.1250-18UNEF	1.000	1.640	1.500	1.312	1.134	1.084	.543	.312
14	.729	.438	.875	1.2500-18UNEF	1.125	1.765	1.625	1.438	1.259	1.208	.668	.375
16	.729	.438	1.000	1.3750-18UNEF	1.188	1.953	1.781	1.562	1.384	1.333	.793	.500
18	.729	.438	1.125	1.5000-18UNEF	1.438	2.031	1.890	1.688	1.507	1.459	.894	.625
20	.765	.464	1.250	1.6250-18UNEF	1.438	2.156	2.016	1.812	1.634	1.576	1.019	.625
22	.765	.464	1.375	1.7500-18UNS	1.625	2.280	2.140	2.000	1.759	1.701	1.144	.750
24	.828	.464	1.500	1.8750-16UN	1.719	2.405	2.265	2.125	1.884	1.826	1.269	.800

All dimensions for reference only

JT – Solder JT08 90° plug



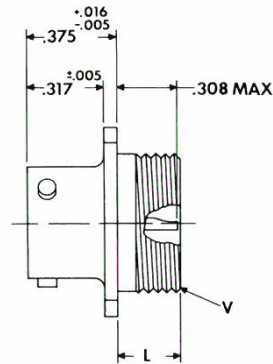
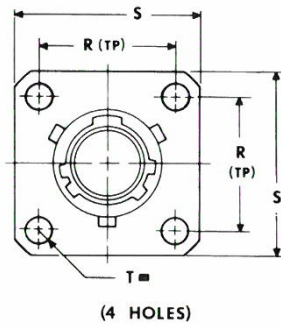
*To complete order number see page 52

**Clear iridite finish (gold color), N₂O₂ resistant, to complete number see page 52

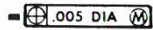
Shell Size	L Max.	FF Max.	K Min.	H Min.	Q Max.
8	.891	.391	.126	.396	.734
10	.906	.438	.141	.532	.844
12	.938	.516	.173	.694	1.016
14	1.031	.594	.266	.814	1.141
16	1.188	.656	.423	.985	1.265
18	1.250	.719	.485	1.006	1.391
20	1.312	.781	.547	1.130	1.500
22	1.375	.844	.610	1.255	1.625
24	1.516	.906	.673	1.380	1.750

All dimensions for reference only

JT – Hermetic JT00 (MS27475) wall mounting receptacle



- *JT00H-XX-XXX
- *JT00H-XX-XXX (101)
- *JT00H-XX-XXX (150)
- **JT00Y-XX-XXX (MS27475 YXXDXXX)
- ***JT500Y-XX-XXX (MS27482 YXXEXXX)

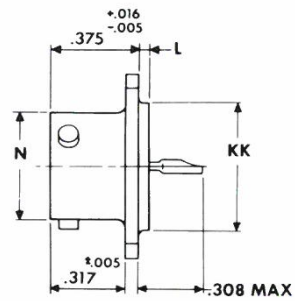
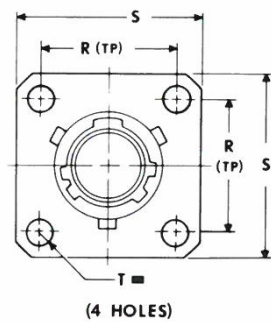


- *To complete order number see page 52
- **Interfacial seal wafer, to complete order number see page 52
- ***High temperature version, interfacial seal wafer with stainless steel to complete order number see page 52

Shell Size	N +.001 -.005	S ±.016	R (TP)	T ±.005	V Thread	L Max.
					Size Class 2A	
8	.473	.812	.594	.120	.5625-24UNEF	.234
10	.590	.938	.719	.120	.6875-24UNEF	.234
12	.750	1.031	.812	.120	.8125-20UNEF	.234
14	.875	1.125	.906	.120	.9375-20UNEF	.234
16	1.000	1.219	.969	.120	1.0625-18UNEF	.234
18	1.125	1.312	1.062	.120	1.1875-18UNEF	.234
20	1.250	1.438	1.156	.120	1.3125-18UNEF	.234
22	1.375	1.562	1.250	.120	1.4375-18UNEF	.234
24	1.500	1.688	1.375	.147	1.5625-18UNEF	.313

All dimensions for reference only

JT – Hermetic JT02 (MS27476) box mounting receptacle



- *JT02H-XX-XXX
- *JT02H-XX-XXX(101)
- *JT02H-XX-XXX(150)
- **JT02Y-XX-XXX (MS27476YXXDXXX)
- ***JTS02Y-XX-XXX (MS27476YXXEXXX)

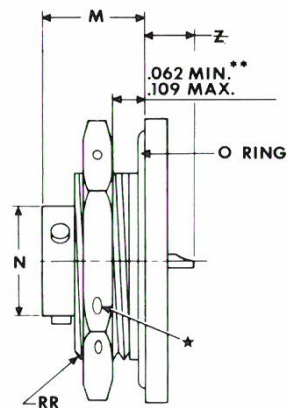
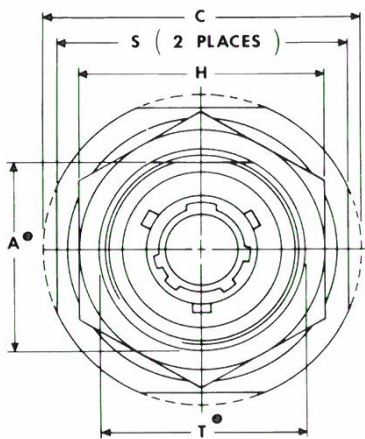
⊕ .005 DIA (M)

- *To complete order number see page 52 .
- **Interfacial seal wafer, to complete order number see page 52 .
- ***High temperature version, interfacial seal wafer with stainless steel shell, to complete order number see page 52 .

Shell Size	L +.006 -.015	KK +.001 -.005	S ±.016	R (TP)	T ±.005	N +.001 -.005
8	.051	.562	.812	.594	.120	.473
10	.051	.672	.938	.719	.120	.590
12	.051	.781	1.031	.812	.120	.750
14	.051	.906	1.125	.906	.120	.875
16	.051	1.031	1.219	.969	.120	1.000
18	.051	1.156	1.312	1.062	.120	1.125
20	.051	1.250	1.438	1.156	.120	1.250
22	.080	1.375	1.562	1.250	.120	1.375
24	.080	1.500	1.688	1.375	.147	1.500

All dimensions for reference only

JT – Hermetic JT07 (MS27477) jam nut receptacle



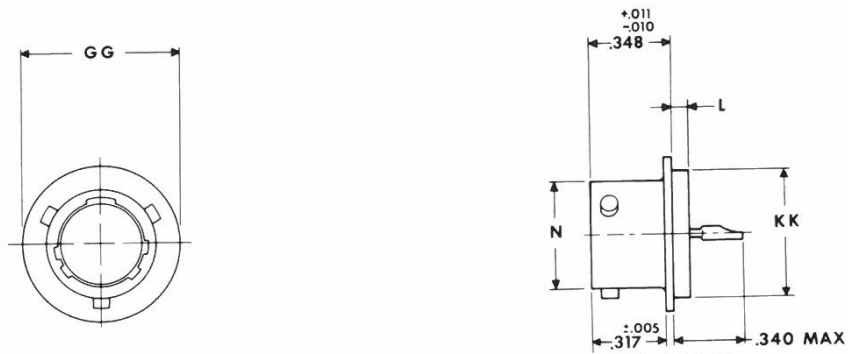
- *JT07H-XX-XXX
- *JT07H-XX-XXX(101)
- *JT07H-XX-XXX(150)
- ***JT07Y-XX-XXX (MS27477YXXDXXX)
- ****JT07Y-XX-XXX (MS27483YXXEXXX)

- *.059 dia. min. 3 lockwire holes.
- 'D' shaped mtg. hole dimensions.
- *To complete order number see page 52
- **Panel thickness.
- ***Interfacial seal wafer, to complete order number see page 52 .
- ****High temperature version, interfacial seal wafer with stainless steel shell, to complete order number see page 52

Shell Size	M ±.005	Z Max.	RR Thread Class 2A	N +.001 -.005	C Max.	S ±.016	H +.017 -.016	T* +.010 -.000	A* +.000 -.010
8	.438	.244	.8750-20UNEF	.473	1.390	1.250	1.062	.884	.830
10	.438	.244	1.0000-20UNEF	.590	1.515	1.375	1.188	1.007	.955
12	.438	.244	1.1250-18UNEF	.750	1.640	1.500	1.312	1.134	1.084
14	.438	.244	1.2500-18UNEF	.875	1.765	1.625	1.438	1.259	1.208
16	.438	.244	1.3750-18UNEF	1.000	1.953	1.781	1.562	1.384	1.333
18	.438	.244	1.5000-18UNEF	1.125	2.031	1.890	1.688	1.507	1.459
20	.464	.218	1.6250-18UNEF	1.250	2.156	2.016	1.812	1.634	1.576
22	.464	.218	1.7500-18UNS	1.375	2.280	2.140	2.000	1.759	1.701
24	.464	.218	1.8750-16UN	1.500	2.405	2.265	2.125	1.884	1.826

All dimensions for reference only

JT – Hermetic JTI (MS27478) solder mounting receptacle



- * JTIH-XX-XXX
- * JTIH-XX-XXX(101)
- * JTIH-XX-XXX(150)
- ** JTIY-XX-XXX (MS27478YXXDXXX)
- *** JTSIY-XX-XXX (MS27503YXXEXXX)

*To complete order number see page 52
 **Interfacial seal wafer, to complete order number see page 52
 ***High temperature version, interfacial seal wafer with stainless steel shell,
 to complete order number see page 52

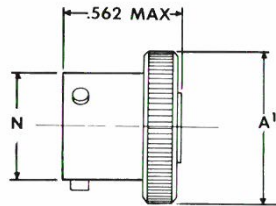
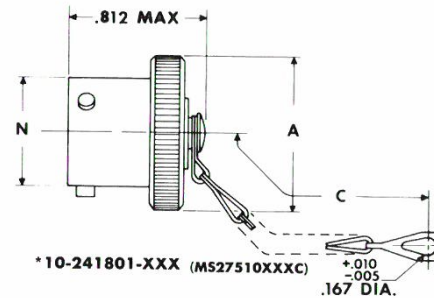
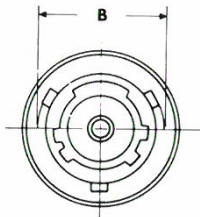
Shell Size	L +.011 -.010	KK +.001 -.005	GG +.011 -.010	N +.001 -.005
8	.078	.562	.687	.473
10	.078	.672	.797	.590
12	.078	.781	.906	.750
14	.078	.906	1.031	.875
16	.078	1.031	1.156	1.000
18	.078	1.156	1.281	1.125
20	.078	1.250	1.375	1.250
22	.107	1.375	1.500	1.375
24	.107	1.500	1.625	1.500

All dimensions for reference only

Weld mounting hermetic receptacle also available. Consult factory for availability & dimensions.

JT – Accessories

plug protection cap



For MS stamping identification, accessories must be ordered by MS part number. If ordered by 10- part number, they will be stamped with said number.

*To complete order number, add shell size and suffix number.

For example, shell size 10 with cadmium plate, nickel base, 10-241801-107, MS27510A10C or MS27352A10.

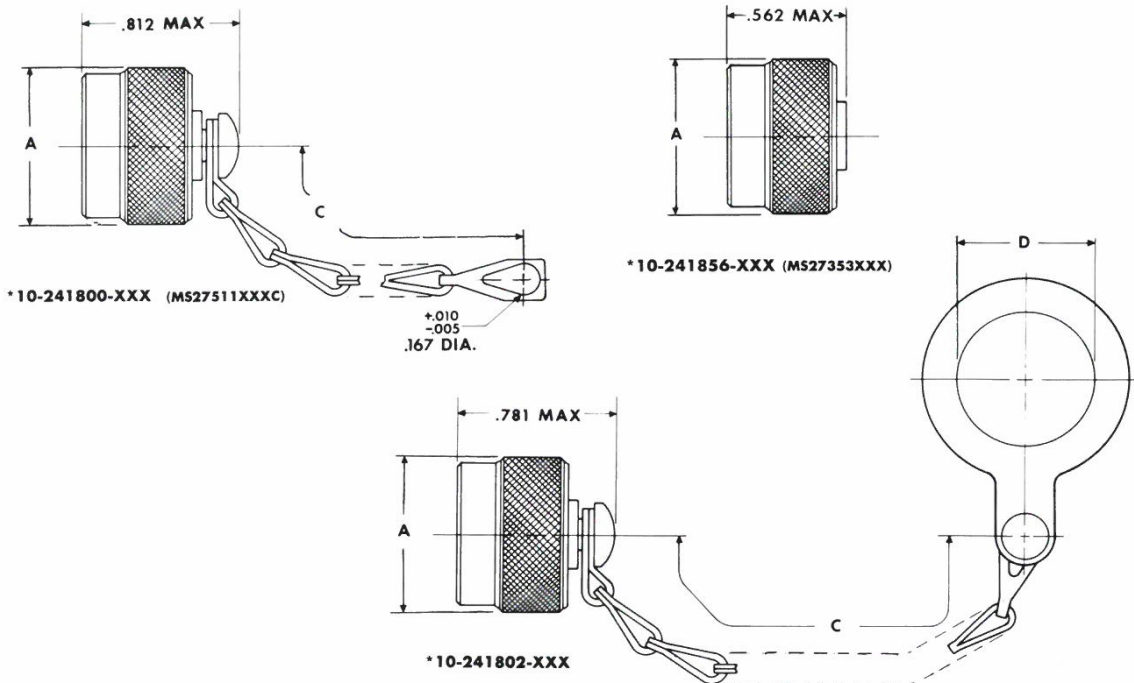
Shell Size	A Dia. Max.	A ¹ Dia. Max.	B +.000 - .016	C Approx.	N Dia. +.001 - .005
8	.719	.703	.563	3.000	.473
10	.844	.828	.680	3.000	.590
12	1.000	.984	.859	3.500	.750
14	1.125	1.109	.984	3.500	.875
16	1.250	1.234	1.108	3.500	1.000
18	1.375	1.359	1.233	3.500	1.125
20	1.500	1.484	1.358	4.000	1.250
22	1.625	1.609	1.483	4.000	1.375
24	1.750	1.734	1.610	4.000	1.500

All dimensions for reference only.

FINISH	10- No. SUFFIX	MS No. SUFFIX WITH CHAIN	MS No. SUFFIX WITHOUT CHAIN
Chromate treat	-XX0		
Bright cadmium plate	-XX1		
Black anodize	-XX2		
Cadmium plate olive drab	-XX3		
Grey anodize	-XX4		
Anodic coating	-XX5	CXXC	CXX
Tin zinc plate	-XX6		
Cadmium plate nickel base	-XX7	AXXC	AXX
Bright nickel	-XX8		
Olive drab, cadmium, nickel base	-XX9	BXXC	BXX
Electroless nickel	-XXG	FXXC	FXX

JT – Accessories

receptacle protection caps



For MS stamping identification, accessories must be ordered by MS part number. If ordered by 10- part number, they will be stamped with said number.

*To complete order number, add shell size and suffix number.

For example, shell size 10 with cadmium plate, nickel base, 10-241800-107, MS27511A10C or MS27353A10.

Shell Size	A Dia. Max.	C Approx.	D +.010 -.000
8	.719	3.000	.891
10	.844	3.000	1.016
12	1.000	3.500†	1.141
14	1.125	3.500	1.266
16	1.250	3.500	1.391
18	1.375	3.500	1.516
20	1.500	4.000	1.641
22	1.625	4.000	1.766
24	1.750	4.000	1.891

All dimensions for reference only.

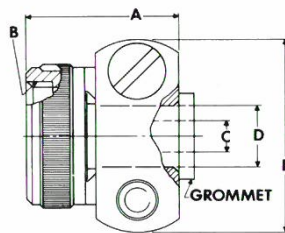
†3.000 for MS27511

FINISH	10- No. SUFFIX	MS No. SUFFIX WITH CHAIN	MS No. SUFFIX WITHOUT CHAIN
Chromate treat	-XX0		
Bright cadmium plate	-XX1		
Black anodize	-XX2		
Cadmium plate olive drab	-XX3		
Grey anodize	-XX4		
Anodic coating	-XX5	CXXC	CXX
Tin zinc plate	-XX6		
Cadmium plate nickel base	-XX7	AXXC	AXX
Bright nickel	-XX8		
Olive drab, cadmium, nickel base	-XX9	BXXC	BXX
Electroless nickel	-XXG	FXXC	FXX

JT – Accessories

cable clamp

(solder type)



*10-241055-XXX (MS27342X-XX-2)

For MS stamping identification, accessories must be ordered by MS part number. If ordered by 10- part number, they will be stamped with said number.

*To complete order number, add shell size and suffix number.

Finish	10- No. Suffix	MS No. Suffix
Chromate treat	-XX0	
Bright cadmium plate	-XX1	
Black anodize	-XX2	
Cadmium plate olive drab	-XX3	
Grey anodize	-XX4	
Anodic coating	-XX5	
Tin zinc plate	-XX6	
Cadmium plate nickel base	-XX7	A-XX-2
Bright nickel	-XX8	
Olive drab, cadmium, nickel base	-XX9	B-XX-2
Electroless nickel	-XXG	

For example shell size 10 with cadmium plate, nickel base, 10-241055-107 or MS27342A-10-2

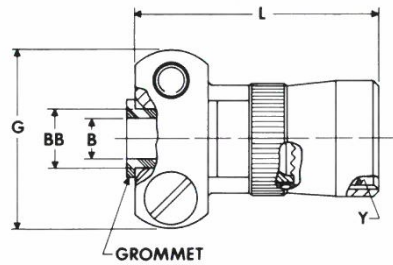
Shell Size	A Ref.	B Thread Class 2B	C Dia. +.010 - .025	D Dia. +.000 - .011	E Max.
8	.582	.4375-28UNEF	.125	.250	.812
10	.582	.5625-24UNEF	.188	.312	.875
12	.582	.6875-24UNEF	.312	.438	1.000
14	.644	.8125-20UNEF	.375	.562	1.125
16	.644	.9375-20UNEF	.500	.625	1.188
18	.644	1.0625-18UNEF	.625	.750	1.438
20	.707	1.1875-18UNEF	.625	.750	1.438
22	.707	1.3125-18UNEF	.750	.938	1.625
24	.707	1.4375-18UNEF	.800	1.000	1.719

All dimensions for reference only.

JT – Accessories

Cable Clamp

(crimp type)



* 10-405982-XXX (MS27506XXX-2)

For MS stamping identification, accessories must be ordered by MS part number. If ordered by 10- part number, they will be stamped with said number.

*To complete order number, add shell size and suffix number.

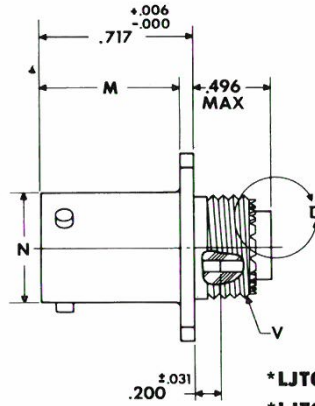
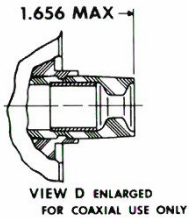
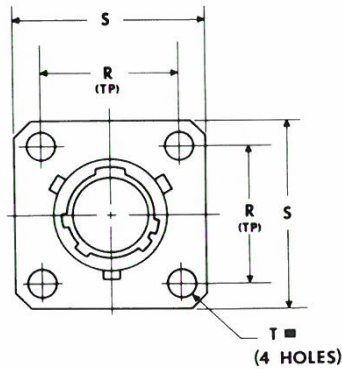
Finish	10- No. Suffix	MS No. Suffix
Chromate treat	-XX0	
Bright cadmium plate	-XX1	
Black anodize	-XX2	
Cadmium plate olive drab	-XX3	
Grey anodize	-XX4	
Anodic coating	-XX5	CXX-2
Tin zinc plate	-XX6	
Cadmium plate nickel base	-XX7	AXX-2
Bright nickel	-XX8	
Olive drab, cadmium, nickel base	-XX9	BXX-2
Electroless nickel	-XXG	FXX-2

For example shell size 10 with cadmium plate, nickel base, 10-405982-107 or MS27506A10-2

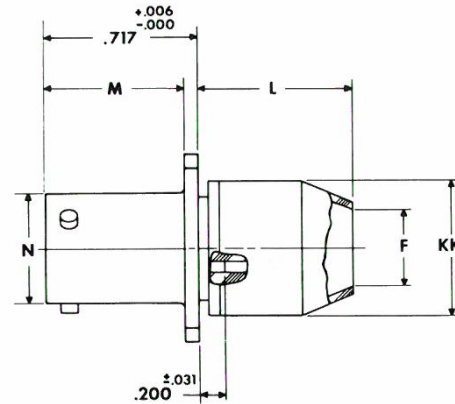
Shell Size	G Max.	L Max.	Y Thread (Modified)		BB Dia. +.000 - .011	Screw Size	B Dia. +.010 - .025
			Size Class 2B	Modified Minor Dia.			
8	.775	.984	.4375-28UNEF	.399 – .405	.250	6-32UNC	.125
10	.837	.984	.5625-24UNEF	.524 – .529	.312	6-32UNC	.188
12	.963	.984	.6875-24UNEF	.649 – .654	.438	6-32UNC	.312
14	1.087	1.234	.8125-20UNEF	.766 – .771	.562	6-32UNC	.375
16	1.150	1.234	.9375-20UNEF	.891 – .896	.625	6-32UNC	.500
18	1.400	1.234	1.0625-18UNEF	1.002 – 1.007	.750	8-32UNC	.625
20	1.400	1.234	1.1875-18UNEF	1.135 – 1.140	.750	8-32UNC	.625
22	1.587	1.359	1.3125-18UNEF	1.252 – 1.257	.938	8-32UNC	.750
24	1.681	1.281	1.4375-18UNEF	1.377 – 1.382	1.000	8-32UNC	.800

All dimensions for reference only.

LJT – Crimp LJT00R (MS27466) wall mounting receptacle



*LJTOORE-XX-XXX (MS27466E)
*LJTOORT-XX-XXX (MS27466T)



*LJTOORP-XX-XXX (MS27466P)

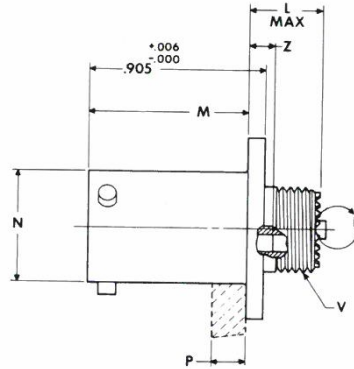
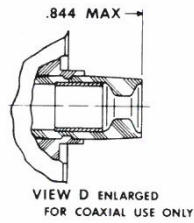
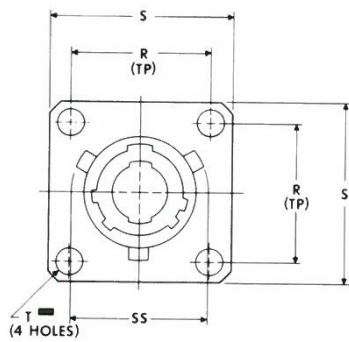
⊕ .005 DIA ⊕

*To complete order number see page 52.

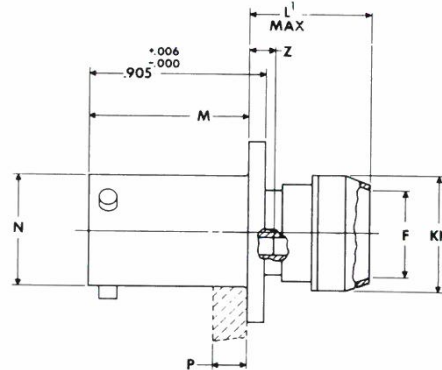
Shell Size	M +.000 -.005	V Thread Class 2A (Plated)	N +.001 -.005	S ±.016	R (TP)	T Dia. ±.005	F Dia.	KK Dia. Max.	L Max.
9	.632	.4375-28UNEF	.572	.938	.719	.128	.327	.608	.813
11	.632	.5625-24UNEF	.700	1.031	.812	.128	.444	.734	.813
13	.632	.6875-24UNEF	.850	1.125	.906	.128	.558	.858	.813
15	.632	.8125-20UNEF	.975	1.219	.969	.128	.683	.984	.813
17	.632	.9375-20UNEF	1.100	1.312	1.062	.128	.808	1.110	.813
19	.632	1.0625-18UNEF	1.207	1.438	1.156	.128	.909	1.234	.813
21	.602	1.1875-18UNEF	1.332	1.562	1.250	.128	1.034	1.360	.906
23	.602	1.3125-18UNEF	1.457	1.688	1.375	.147	1.159	1.484	.906
25	.602	1.4375-18UNEF	1.582	1.812	1.500	.147	1.284	1.610	.906

All dimensions for reference only

LJT – Crimp LJTPQ00R (MS27656) wall mounting receptacle (back panel mounting)



*LJTPQ00RE-XX-XXX (MS27656E)



*LJTPQ00RP-XX-XXX (MS27656P)

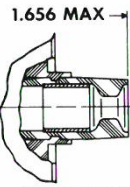
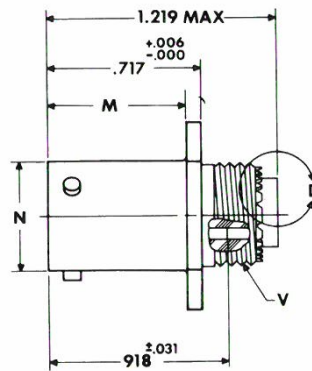
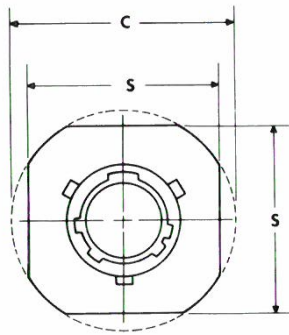
⊕ .005 DIA ⊕

*To complete order number see page 52

Shell Size	F Dia ±.010	L Max.	L ¹ Max.	M +.000 -.005	N Dia.	P Max. Panel Thickness	R (TP)	S +.011 -.010	T Dia. ±.005	V Thread UNEF Class 2A (Plated)	Z Max.	KK Dia. Max.	SS Dia. +.000 -.016
9	.444	.453	.641	.820	.572	.234	.719	.938	.128	.4375-28	.138	.625	.662
11	.558	.453	.641	.820	.700	.234	.812	1.031	.128	.5625-24	.138	.750	.810
13	.683	.453	.641	.820	.850	.234	.906	1.125	.128	.6875-24	.138	.875	.960
15	.808	.453	.641	.820	.975	.234	.969	1.219	.128	.8125-20	.138	1.000	1.085
17	.909	.453	.641	.820	1.100	.234	1.062	1.312	.128	.9375-20	.138	1.125	1.210
19	1.034	.453	.641	.820	1.207	.234	1.156	1.438	.128	1.0625-18	.138	1.250	1.317
21	1.159	.484	.672	.790	1.332	.204	1.250	1.562	.128	1.1875-18	.168	1.375	1.442
23	1.284	.484	.672	.790	1.457	.204	1.375	1.688	.147	1.3125-18	.168	1.500	1.567
25	1.409	.484	.672	.790	1.582	.193	1.500	1.812	.147	1.4375-18	.168	1.625	1.692

All dimensions for reference only.

LJT – Crimp LJT01R line receptacle



VIEW D ENLARGED
FOR COAXIAL USE ONLY

*LJT01RE-XX-XXX
*LJT01RT-XX-XXX

*To complete order number see page 52.

Shell Size	M +.000 -.005	N +.001 -.005	S ±.016	C Max.	V Thread Ref. Class 2A (Plated)
9	.632	.572	.938	1.094	.4375-28UNEF
11	.632	.700	1.031	1.188	.5625-24UNEF
13	.632	.850	1.125	1.281	.6875-24UNEF
15	.632	.975	1.219	1.375	.8125-20UNEF
17	.632	1.100	1.312	1.469	.9375-20UNEF
19	.632	1.207	1.438	1.594	1.0625-18UNEF
21	.602	1.332	1.562	1.719	1.1875-18UNEF
23	.602	1.457	1.688	1.844	1.3125-18UNEF
25	.602	1.582	1.812	1.969	1.4375-18UNEF

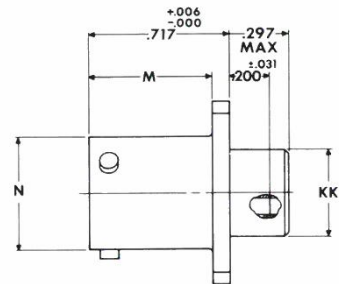
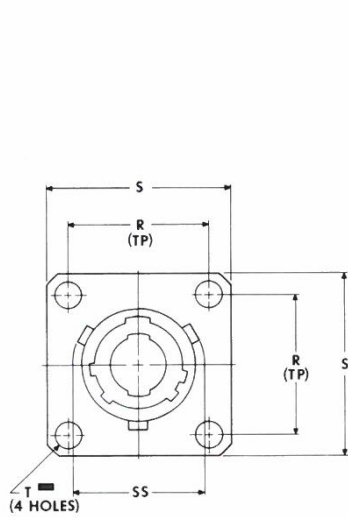
All dimensions for reference only

LJT – Crimp

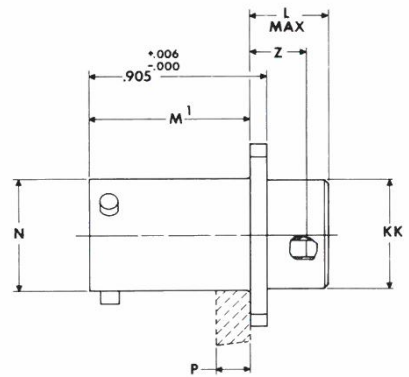
LJT02R (MS27496)

LJTP02R (MS27505) (back panel mounting)

box mounting receptacle



*LJT02RE-XX-XXX (MS27496 E)



*LJTP02RE-XX-XXX (MS27505 E)

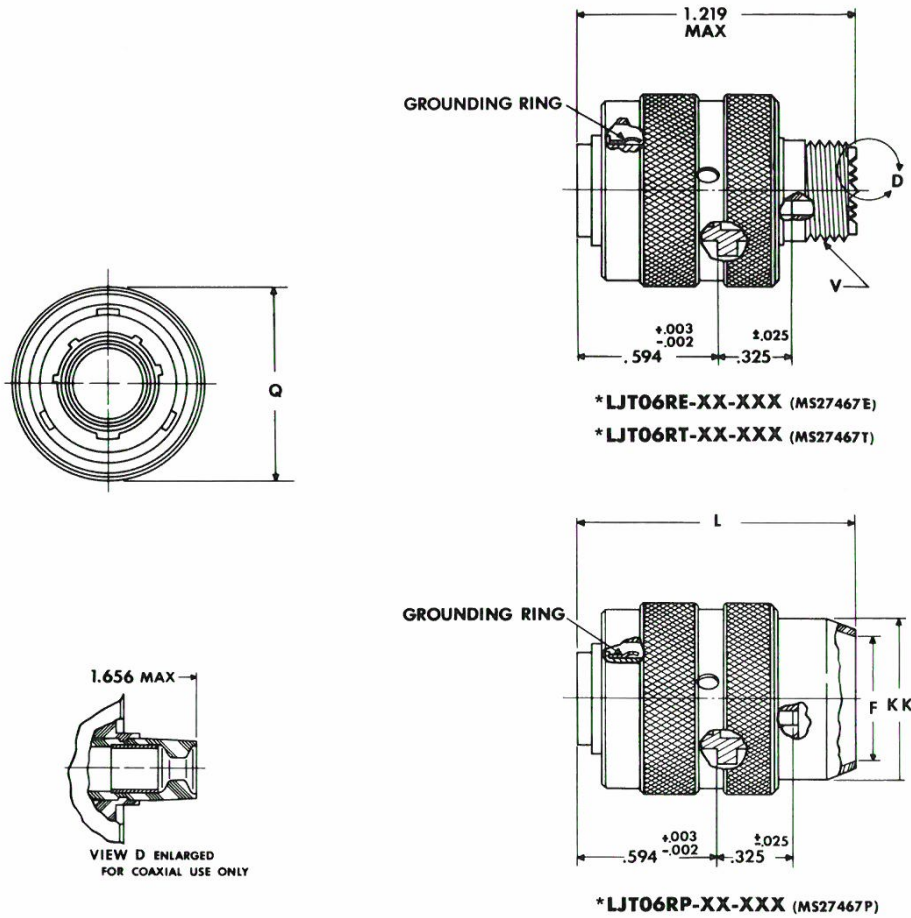
⊕ .005 DIA ⊕

*To complete order number see page 52.

Shell Size	L Max.	M +.000 - .005	M ¹ +.000 - .005	N Dia. +.001 - .005	P Max. Panel Thickness	R (TP)	S +.011 - .010	T Dia. ±.005	Z ±.031	KK Dia. +.006 - .005	SS Dia. +.000 - .016
9	.203	.632	.820	.572	.234	.719	.938	.128	.107	.433	.662
11	.203	.632	.820	.700	.234	.812	1.031	.128	.107	.557	.810
13	.203	.632	.820	.850	.234	.906	1.125	.128	.107	.676	.960
15	.203	.632	.820	.975	.234	.969	1.219	.128	.107	.801	1.085
17	.203	.632	.820	1.100	.234	1.062	1.312	.128	.107	.926	1.210
19	.203	.632	.820	1.207	.234	1.156	1.438	.128	.107	1.032	1.317
21	.234	.602	.790	1.332	.204	1.250	1.562	.128	.137	1.157	1.442
23	.234	.602	.790	1.457	.204	1.375	1.688	.147	.137	1.282	1.567
25	.234	.602	.790	1.582	.193	1.500	1.812	.147	.137	1.407	1.692

All dimensions for reference only

LJT – Crimp LJT06R (MS27467) straight plug

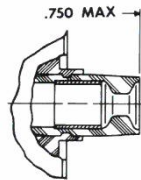
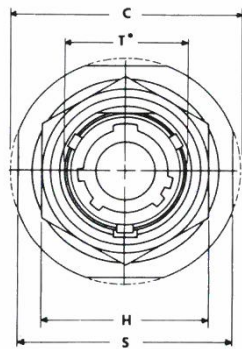


*To complete order number see page 52.

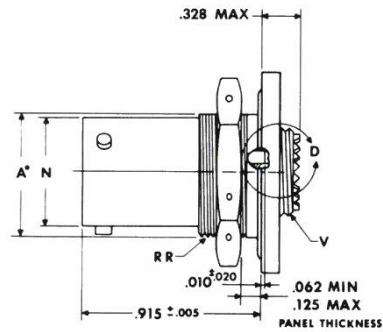
Shell Size	L Max.	V Thread Class 2A (Plated)	Q Max.	F Dia.	KK Dia. Max.
9	1.531	.4375-28UNEF	.844	.327	.608
11	1.531	.5625-24UNEF	.969	.444	.734
13	1.531	.6875-24UNEF	1.141	.558	.858
15	1.531	.8125-20UNEF	1.266	.683	.984
17	1.531	.9375-20UNEF	1.391	.808	1.110
19	1.531	1.0625-18UNEF	1.500	.909	1.234
21	1.625	1.1875-18UNEF	1.625	1.034	1.360
23	1.625	1.3125-18UNEF	1.750	1.159	1.484
25	1.625	1.4375-18UNEF	1.875	1.284	1.610

All dimensions for reference only

LJT – Crimp LJT07R (MS27468) jam nut receptacle

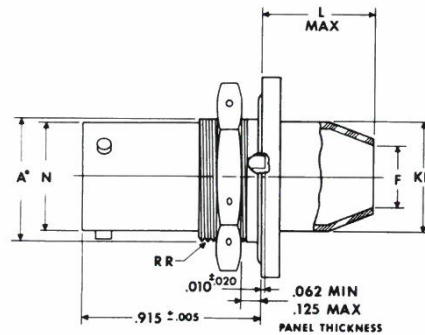


VIEW D ENLARGED
FOR COAXIAL USE ONLY



*LJT07RE-XX-XXX (MS27468E)

*LJT07RT-XX-XXX (MS27468T)



*LJT07RP-XX-XXX (MS27468P)

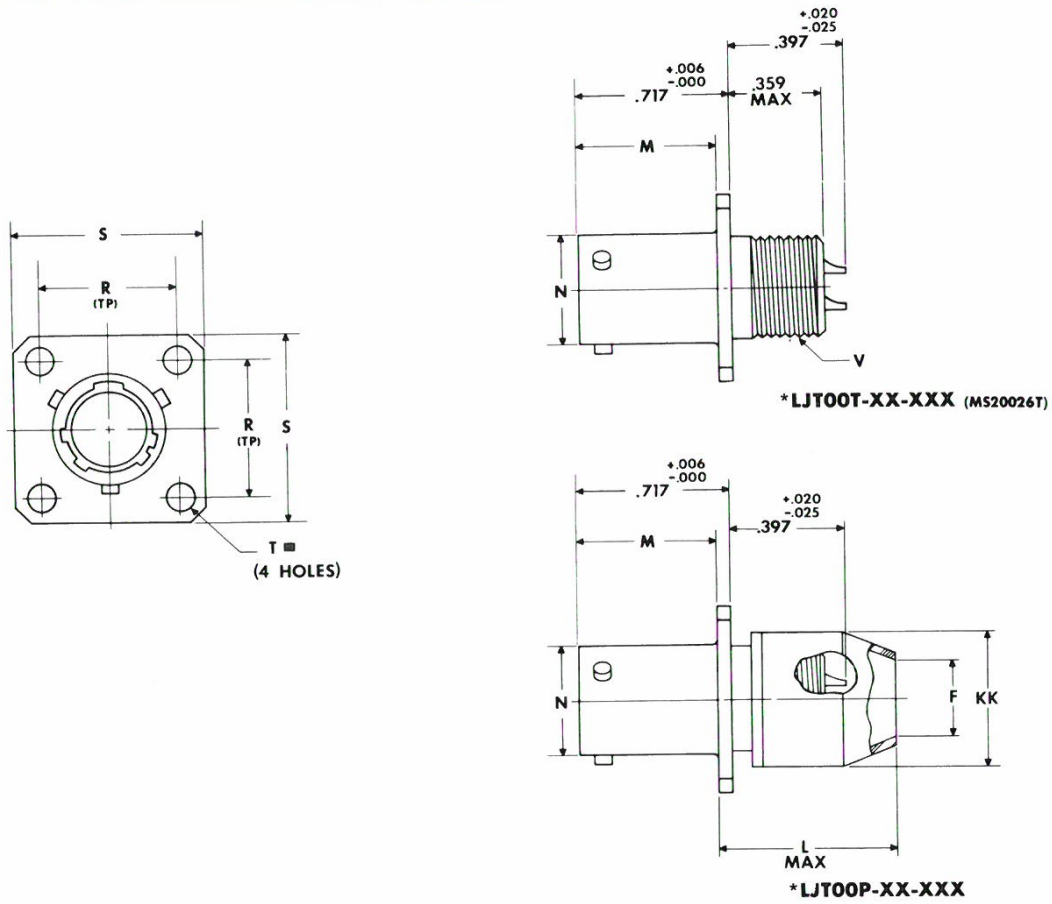
*"D" shaped mtg. hole dimensions

*To complete order number see page 52

Shell Size	RR Thread Class 2A (Plated)	N +.001 -.005	A* +.000 -.010	T* +.010 -.000	C Max.	H Hex +.017 -.016	S ±.016	V Thread Class 2A (Plated)	KK Dia. Max.	F Dia.	L Max.
9	.6875-24UNEF	.572	.669	.697	1.199	.875	1.062	.4375-28UNEF	.608	.327	.625
11	.8125-20UNEF	.700	.769	.822	1.386	1.000	1.250	.5625-24UNEF	.734	.444	.625
13	1.0000-20UNEF	.850	.955	1.007	1.511	1.188	1.375	.6875-24UNEF	.858	.558	.625
15	1.1250-18UNEF	.975	1.084	1.134	1.636	1.312	1.500	.8125-20UNEF	.984	.683	.625
17	1.2500-18UNEF	1.100	1.208	1.259	1.761	1.438	1.625	.9375-20UNEF	1.110	.808	.625
19	1.3750-18UNEF	1.207	1.333	1.384	1.949	1.562	1.812	1.0625-18UNEF	1.234	.909	.656
21	1.5000-18UNEF	1.332	1.459	1.507	2.073	1.688	1.938	1.1875-18UNEF	1.360	1.034	.750
23	1.6250-18UNEF	1.457	1.580	1.634	2.199	1.812	2.062	1.3125-18UNEF	1.484	1.159	.750
25	1.7500-18UNS	1.582	1.709	1.759	2.323	2.000	2.188	1.4375-18UNEF	1.610	1.284	.750

All dimensions for reference only

LJT – Solder LJT00 (MS20026) wall mounting receptacle



⊕ .005 DIA ⊖

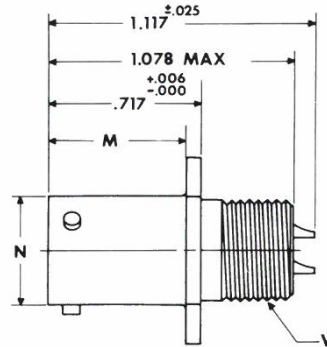
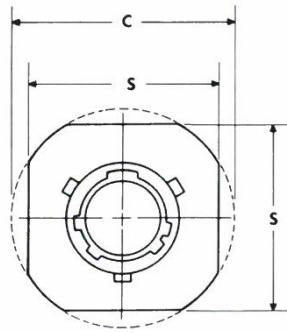
*To complete order number see page 52 .

NOTE: For availability of back panel mounting types, check with our sales office nearest you.

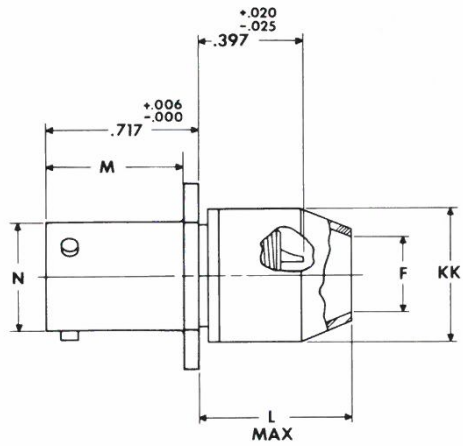
Shell Shell	M +.000 -.005	V Thread Class 2A UNEF (Plated)	N +.001 -.005	S ±.016	R (TP)	T Dia. ±.005	F Dia.	KK Dia. Max.	L Max.
9	.632	.4375-28	.572	.938	.719	.128	.327	.608	.625
11	.632	.5625-24	.700	1.031	.812	.128	.444	.734	.625
13	.632	.6875-24	.850	1.125	.906	.128	.558	.858	.625
15	.632	.8125-20	.975	1.219	.969	.128	.683	.984	.625
17	.632	.9375-20	1.100	1.312	1.062	.128	.808	1.110	.625
19	.632	1.0625-18	1.207	1.438	1.156	.128	.909	1.234	.625
21	.602	1.1875-18	1.332	1.562	1.250	.128	1.034	1.360	.703
23	.602	1.3125-18	1.457	1.688	1.375	.147	1.159	1.484	.703
25	.602	1.4375-18	1.582	1.812	1.500	.147	1.284	1.610	.703

All dimensions for reference only

LJT – Solder LJT01 (MS20027) line receptacle



*LJT01T-XX-XXX (MS20027T)



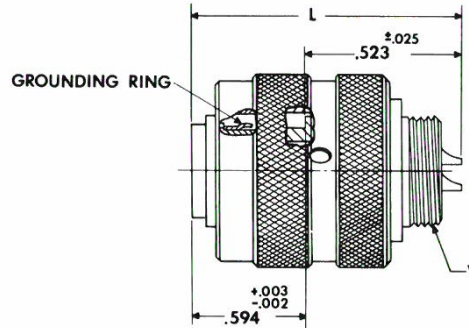
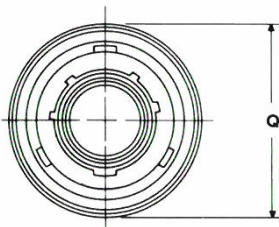
*LJT01P-XX-XXX

*To complete order number see page 52

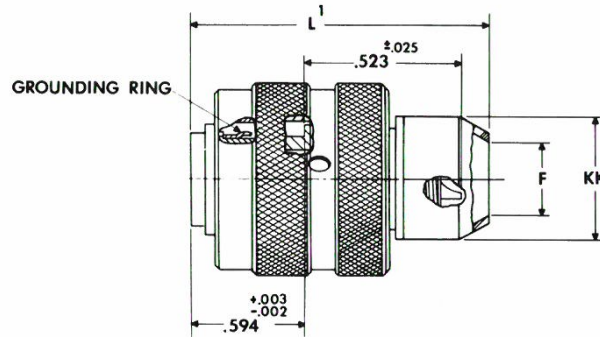
Shell Size	M +.000 -.005	V Thread Class 2A UNEF (Plated)	N +.001 -.005	S ±.016	C Max.	F Dia.	KK Dia. Max.	L Max.
9	.632	.4375-28	.572	.938	1.094	.327	.608	.625
11	.632	.5625-24	.700	1.031	1.188	.444	.734	.625
13	.632	.6875-24	.850	1.125	1.281	.558	.858	.625
15	.632	.8125-20	.975	1.219	1.375	.683	.984	.625
17	.632	.9375-20	1.100	1.312	1.469	.808	1.110	.625
19	.632	1.0625-18	1.207	1.438	1.594	.909	1.234	.625
21	.602	1.1875-18	1.332	1.562	1.719	1.034	1.360	.703
23	.602	1.3125-18	1.457	1.688	1.844	1.159	1.484	.703
25	.602	1.4375-18	1.582	1.812	1.969	1.284	1.610	.703

All dimensions for reference only

LJT – Solder LJT06 (MS20028) straight plug



*LJT06T-XX-XXX (MS20028T)



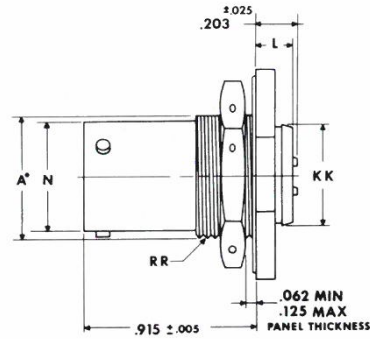
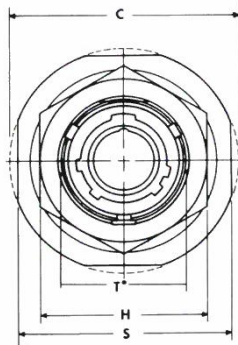
*LJT06P-XX-XXX

*To complete order number see page 52.

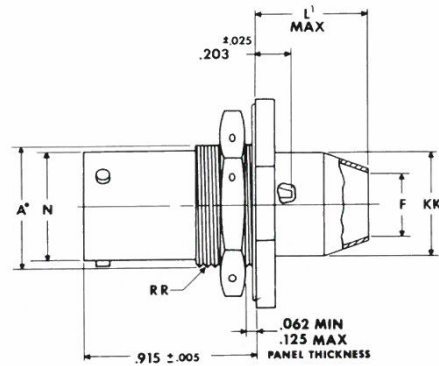
Shell Size	V Thread Class 2A UNEF (Plated)	Q Max.	L Max.	L ¹ Max.	F Dia.	KK Dia. Max.
9	.4375-28	.844	1.128	1.488	.327	.608
11	.5625-24	.969	1.128	1.488	.444	.734
13	.6875-24	1.141	1.128	1.488	.558	.858
15	.8125-20	1.266	1.128	1.488	.683	.984
17	.9375-20	1.391	1.128	1.488	.808	1.110
19	1.0625-18	1.500	1.128	1.488	.909	1.234
21	1.1875-18	1.625	1.128	1.566	1.034	1.360
23	1.3125-18	1.750	1.128	1.566	1.159	1.484
25	1.4375-18	1.875	1.191	1.644	1.284	1.610

All dimensions for reference only

LJT – Solder LJT07 (MS20029) jam nut receptacle



*LJT07T-XX-XXX (MS20029T)



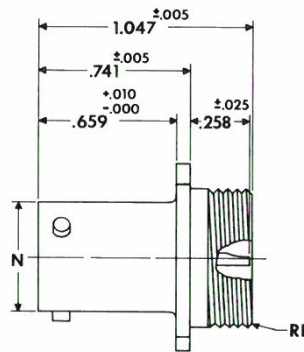
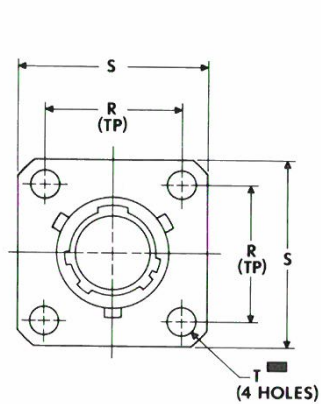
*LJT07P-XX-XXX (MS20029P)

*"D" shaped mtg. hole dimensions.
*To complete order number see page 52

Shell Size	L Max.	L ¹ Max.	KK +.011 - .000	KK ¹ Dia. Max.	F Dia.	RR Thread Class 2A (Plated)	N +.001 - .005	A* +.000 - .010	T* +.010 - .000	C Max.	H Hex +.017 - .016	S ±.016
9	.234	.625	.516	.608	.327	.6875-24UNEF	.572	.669	.697	1.199	.875	1.062
11	.234	.625	.642	.734	.444	.8125-20UNEF	.700	.769	.822	1.386	1.000	1.250
13	.234	.625	.766	.858	.558	1.0000-20UNEF	.850	.955	1.007	1.511	1.188	1.375
15	.234	.625	.892	.984	.683	1.1250-18UNEF	.975	1.084	1.134	1.636	1.312	1.500
17	.234	.625	1.018	1.110	.808	1.2500-18UNEF	1.100	1.208	1.259	1.761	1.438	1.625
19	.266	.625	1.142	1.234	.909	1.3750-18UNEF	1.207	1.333	1.384	1.949	1.562	1.812
21	.266	.656	1.268	1.360	1.034	1.5000-18UNEF	1.332	1.459	1.507	2.073	1.688	1.938
23	.266	.750	1.392	1.484	1.159	1.6250-18UNEF	1.457	1.580	1.634	2.199	1.812	2.062
25	.266	.750	1.518	1.610	1.284	1.7500-18UNS	1.582	1.709	1.759	2.323	2.000	2.188

All dimensions for reference only

LJT – Hermetic LJT00 (MS27469) wall mounting receptacle



- * LJT00H-XX-XXX
- ** LJT00Y-XX-XXX (MS27469YXXD)
- *** LJT500Y-XX-XXX (MS27469YXXE)

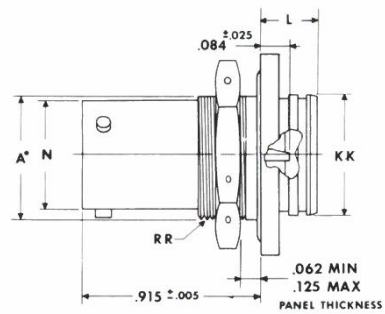
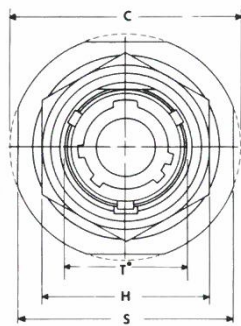
⊕ .005 DIA Ⓜ

*To complete order number see page 52
 **Interfacial seal wafer, to complete order number see page 52 .
 ***High temperature version, interfacial seal wafer with stainless steel shell, to complete order number see page 52

Shell Size	N Dia. +.001 -.005	R (TP)	S ±.016	RR Thread Class 2A	T Dia. ±.005
9	.572	.719	.938	.6875-24UNEF	.128
11	.700	.812	1.031	.8125-20UNEF	.128
13	.850	.906	1.125	.9375-20UNEF	.128
15	.975	.969	1.219	1.0625-18UNEF	.128
17	1.100	1.062	1.312	1.1875-18UNEF	.128
19	1.207	1.156	1.438	1.3125-18UNEF	.128
21	1.332	1.250	1.562	1.4375-18UNEF	.128
23	1.457	1.375	1.688	1.5625-18UNEF	.147
25	1.582	1.500	1.812	1.6875-18UNEF	.147

All dimensions for reference only

LJT – Hermetic LJT07 (MS27470) jam nut receptacle



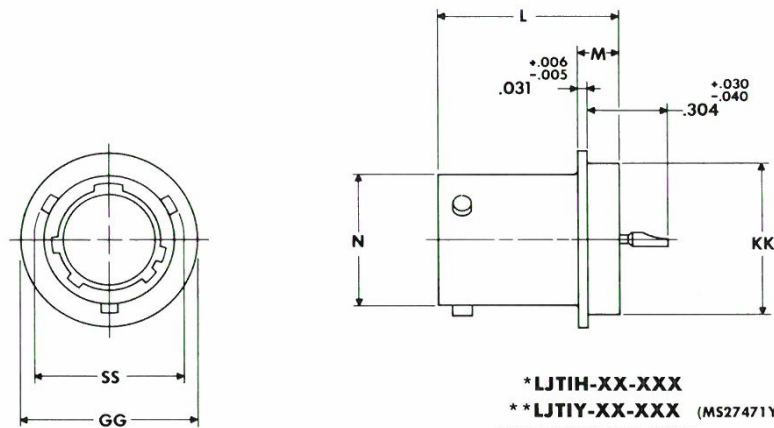
*LJT07H-XX-XXX
 **LJT07Y-XX-XXX (MS27470YXXD)
 ***LJTS07Y-XX-XXX (MS27470YXXE)

- *"D" shaped mtg. hole dimensions.
- *To complete order number see page 52
- **Interfacial seal wafer, to complete order number see page 52 .
- ***High temperature version, interfacial seal wafer with stainless steel shell, to complete order number see page 52 .

Shell Size	L Max.	KK +.011 -.000	RR Thread Class 2A (Plated)	N +.000 -.005	A* +.000 -.010	T* +.010 -.000	C Max.	H Hex +.017 -.016	S ±.016
9	.297	.642	.6875-24UNEF	.572	.669	.697	1.199	.875	1.062
11	.297	.766	.8125-20UNEF	.700	.769	.822	1.386	1.000	1.250
13	.297	.892	1.0000-20UNEF	.850	.955	1.007	1.511	1.188	1.375
15	.297	1.018	1.1250-18UNEF	.975	1.084	1.134	1.636	1.312	1.500
17	.297	1.142	1.2500-18UNEF	1.100	1.208	1.259	1.761	1.438	1.625
19	.328	1.268	1.3750-18UNEF	1.207	1.333	1.384	1.949	1.562	1.812
21	.328	1.392	1.5000-18UNEF	1.332	1.459	1.507	2.073	1.688	1.938
23	.328	1.518	1.6250-18UNEF	1.457	1.580	1.634	2.199	1.812	2.062
25	.328	1.642	1.7500-18UNS	1.582	1.709	1.759	2.328	2.000	2.188

All dimensions for reference only

LJT – Hermetic LJTI (MS27471) solder mounting receptacle



- * LJTIH-XX-XXX
- ** LJTIY-XX-XXX (MS27471YXXD)
- *** LJTSIY-XX-XXX (MS27471YXXE)

*To complete order number see page 52
 **Interfacial seal wafer, to complete order number see page 52 .
 ***High temperature version, interfacial seal wafer with stainless steel shell,
 to complete order number see page 52

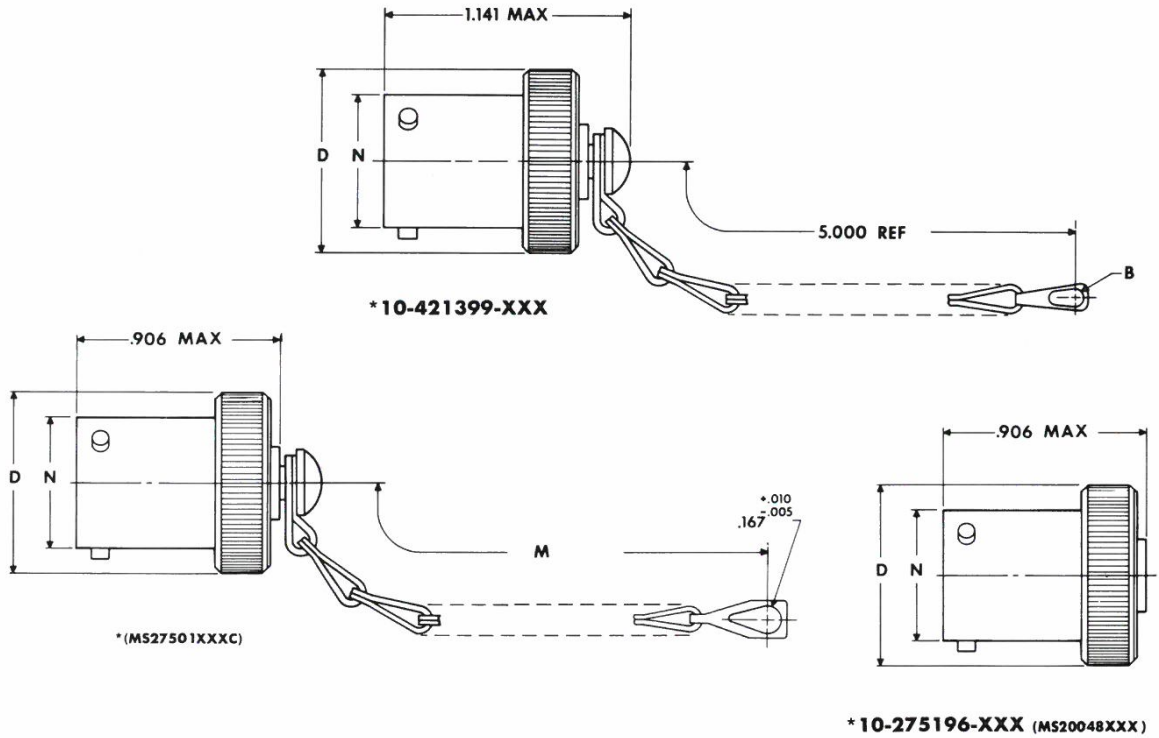
Shell Size	N Dia. +.001 -.005	SS Dia. +.000 -.016	L +.011 -.000	M +.006 -.005	GG Dia. +.011 -.010	KK Dia. +.001 -.005
9	.572	.662	.789	.125	.750	.672
11	.700	.810	.789	.125	.844	.781
13	.850	.960	.789	.125	.969	.906
15	.975	1.085	.789	.125	1.094	1.031
17	1.100	1.210	.789	.125	1.218	1.156
19	1.207	1.317	.789	.125	1.312	1.250
21	1.332	1.442	.789	.125	1.438	1.375
23	1.457	1.567	.821	.156	1.563	1.500
25	1.582	1.692	.821	.156	1.688	1.625

All dimensions for reference only

Weld mounting hermetic receptacle also available. Consult factory for availability & dimensions.

LJT – Accessories

plug protection cap



*To complete order number, add shell size and suffix number.
 For example, shell size 11 with cadmium plate, nickel base, 10-421399-117, MS27501A11C or MS20048A11

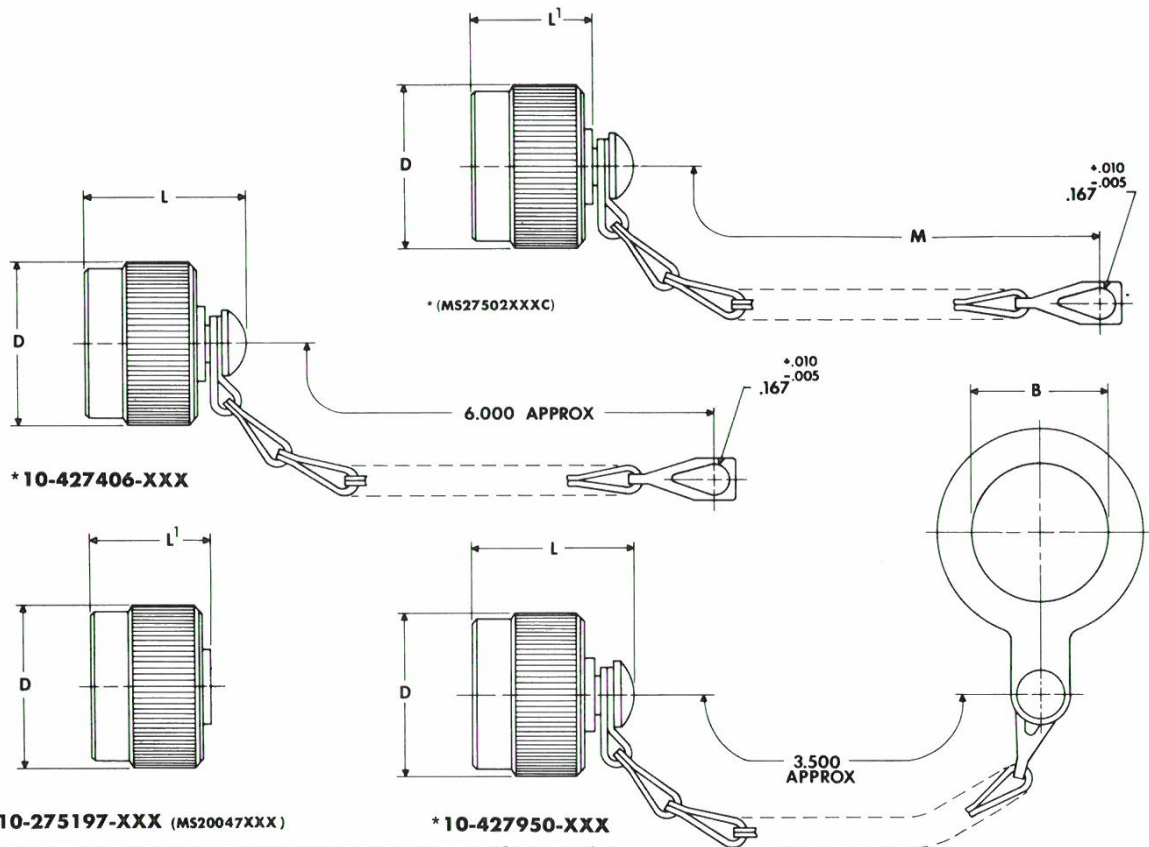
Shell Size	B Dia. Ref.	D Dia. Max.	M $\pm .250$	N Dia. $+.001$ $-.005$
9	.180	.812	3.000	.572
11	.180	.938	3.000	.700
13	.180	1.062	3.500	.850
15	.180	1.188	3.500	.975
17	.180	1.312	3.500	1.100
19	.209	1.438	3.500	1.207
21	.209	1.562	4.000	1.332
23	.209	1.688	4.000	1.457
25	.209	1.812	4.000	1.582

All dimensions for reference only.

Finish	10- No. Suffix	MS No. Suffix With Chain	MS No. Suffix Without Chain
Chromate treat	-XX0		
Bright cadmium plate	-XX1		
Black anodize	-XX2		
Cadmium plate olive drab	-XX3		
Grey anodize	-XX4		
Anodic coating	-XX5		
Tin zinc plate	-XX6		
Cadmium plate nickel base	-XX7	AXXC	AXX
Bright nickel	-XX8		
Olive drab, cadmium, nickel base	-XX9	BXXC	BXX
Electroless nickel	-XXG	FXXC	FXX

LJT – Accessories

receptacle protection caps



For MS stamping identification, accessories must be ordered by MS part number. If ordered by 10- part number, they will be stamped with said number.

*To complete order number, add shell size and suffix number.

For example, shell size 11 with cadmium plate, nickel base, 10-427406-117, MS27502A11C or MS20047A11

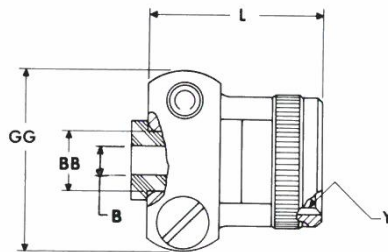
Shell Size	B Dia. +.010 -0.000	D Dia. Max.	L Max.	L ¹ Max.	M ±.250
9	.703	.844	1.070	.844	3.000
11	.844	.969	1.070	.844	3.000
13	1.016	1.125	1.070	.844	3.500
15	1.141	1.250	1.070	.844	3.500
17	1.266	1.406	1.070	.844	3.500
19	1.391	1.500	1.070	.844	3.500
21	1.516	1.625	1.070	.844	4.000
23	1.641	1.750	1.070	.844	4.000
25	1.766	1.875	1.089	.875	4.000

All dimensions for reference only.

Finish	10- No. Suffix	MS No. Suffix With Chain	MS No. Suffix Without Chain
Chromate treat	-XX0		
Bright cadmium plate	-XX1		
Black anodize	-XX2		
Cadmium plate olive drab	-XX3		
Grey anodize	-XX4		
Anodic coating	-XX5	CXXC	
Tin zinc plate	-XX6		
Cadmium plate nickel base	-XX7	AXXC	AXX
Bright nickel	-XX8		
Olive drab, cadmium, nickel base	-XX9	BXXC	BXX
Electroless nickel	-XXG	FXXC	

LJT – Accessories

cable clamp



*10-436792-XXX

*To complete order number, add shell size and suffix number.

Finish	10- No. Suffix
Chromate treat	-XX0
Bright cadmium plate	-XX1
Black anodize	-XX2
Cadmium plate olive drab	-XX3
Grey anodize	-XX4
Anodic coating	-XX5
Tin zinc plate	-XX6
Cadmium plate nickel base	-XX7
Bright nickel	-XX8
Olive drab, cadmium, nickel base	-XX9
Electroless nickel	-XXG

For example, shell size 11 with cadmium plate, nickel base, 10-436792-117

Shell Size	B Dia. +.010 - .025	L Max.	Y Thread Class 2B (Plated)	GG Max.	BB Dia. +.000 - .011
9	.125	.859	.4375-28UNEF	.775	.250
11	.188	.859	.5625-24UNEF	.837	.312
13	.312	.859	.6875-24UNEF	.963	.438
15	.375	1.109	.8125-20UNEF	1.087	.562
17	.500	1.109	.9375-20UNEF	1.150	.625
19	.625	1.109	1.0625-18UNEF	1.400	.750
21	.625	1.109	1.1875-18UNEF	1.400	.750
23	.750	1.234	1.3125-18UNEF	1.587	.938
25	.800	1.234	1.4375-18UNEF	1.681	1.000

All dimensions for reference only.

JT/LJT

contacts, sealing plugs
plastic dust caps

Contact Size	JT/LJT Pins		JT Sockets		LJT Sockets	
	Proprietary No.	MS No.	Proprietary No.	MS No.	Proprietary No.	MS No.
8 (Coax)	21-33102-21	M39029/60-367			21-33102-21	M39029/59-366
12	10-251415-12H	M39029/58-365	10-251416-125	M39029/57-359	10-407035-125	M39029/56-353
16	10-251415-165	M39029/58-364	10-251416-165	M39029/57-358	10-407035-165	M39029/56-352
20	10-251415-205	M39029/58-363	10-497401-205	M39029/57-357	10-497403-205	M39029/56-351
22	10-251415-225	M39029/58-362	10-251416-225	M39029/57-356	10-407035-225	M39029/56-350
22M	10-251415-235	M39029/58-361	10-251416-235	M39029/57-355	10-407035-235	M39029/56-349
22D	10-251415-725	M39029/58-360	10-251416-725	M39029/57-354	10-407035-725	M39029/56-348

Plating

- 5 .00005 Min Gold over Nickel
- 4 .00001 Min Gold over Copper

PLASTIC DUST CAPS

JT	LJT	Plug	Receptacle
8		10-70500-10	10-70506-10S
	9	10-70506-14	10-70500-10
10		10-70506-14	10-70506-12
	11	10-70506-16	10-70500-12
12		10-70506-16	10-70506-14
	13	10-70506-18	10-70500-14
14		10-70506-18	10-70506-16
	15	10-70506-20	10-70500-16
16		10-70506-20	10-70506-18
	17	10-70506-22	10-70500-18
18		10-70506-22	10-70506-20
	19	10-70506-24	10-70500-20
20		10-70506-24	10-70506-22
	21	10-70576-24	10-70500-22
22		10-70576-24	10-70506-24
	23	10-70506-28	10-70500-24
24		10-70506-28	10-70576-24
	25	10-70575-24	10-70506-28

Contact Size	Sealing Plugs	
	Proprietary No.	MS No.
8 (Coax)	10-482099-8	
12	10-405996-12	MS27488-12
16	10-405996-16	MS27488-16
20	10-405996-20	MS27488-20
22	10-405996-24	MS27488-22
22M	10-405996-24	MS27488-22
22D	10-405996-24	MS27488-22

JT/LJT application tools

The following data includes information pertaining to the application tools which have been established for crimping, inserting, and removing the size 12, 16, 20, 22D and 22M contacts incorporated in the JT-R, LJT-R and MIL-C-38999 (MS) series connectors as applicable.

Refer to Table I.

All crimping tools included are the "full cycling" type and when used as specified in the installation instructions (L-624 and L-844) covering the JT-R, LJT-R, and MS series connectors will provide reliable crimped wire to contact terminations. There is a possibility of additional crimping tools other than those included being available at present or in the future for this specific application.

TABLE I

Crimping Tool	Turret Die or Positioner	Contact Size Type	Connector Series
<u>MS3198-1</u>	<u>MS3198-6P</u>	22, <u>22D</u> and 22M Socket	<u>JT-R</u> and MS-JT-R
MS3198-1	MS3198-7P	22, 22D and 22M Socket	LJT-R and MS-LJT-R
MS3198-1	<u>MS3198-8P</u>	22, <u>22D</u> and 22M Pin	<u>JT-R</u> , LJT-R and all MS
MS3198-1	<u>MS3198-9P</u>	<u>20 Pin and 20 Socket</u>	<u>JT-R</u> , LJT-R and all MS
MS3191-4	MS3191-9T	12, 16, <u>20 Pin and Socket</u>	<u>JT-R</u> , LJT-R and all MS
M22520/1-01	M22520/1-04	12, 16, 20 Pin and Socket	JT-R, LJT-R and all MS
M22520/2-01	M22520/2-06	22D Socket	JT-R and MS-JT-R
M22520/2-01	M22520/2-07	22D Socket	LJT-R and MS-LJT-R
M22520/2-01	M22520/2-09	22D Pin	JT-R, LJT-R and all MS
M22520/2-01	M22520/2-10	20 Pin and Socket	JT-R, LJT-R and all MS
M22520/2-01	M22520/2-31	8 Coaxial (inner) Pin and Socket	LJT-R, MS-LJT-R
M22910/7-1	M22910/7-15	8 Coaxial (outer) Pin and Socket	LJT-R, MS-LJT-R
M22520/5-01	M22520/5-05	8 Coaxial (outer) Pin and Socket	LJT-R, MS-LJT-R
M22520/5-01	M22520/5-09	8 Coaxial (outer) Pin and Socket	LJT-R, MS-LJT-R
M22520/5-01	M22520/5-41	8 Coaxial (outer) Pin and Socket	LJT-R, MS-LJT-R

The above crimping tools and positioners are available from the approved tool manufacturer.

Removal Tools for Unwired Contacts

Used with Contact Size	Tool P/N
12	11-10050-5
16	11-10050-4
20	11-10050-3
22	11-10050-2
22M	11-10050-6
22D	11-10050-1

MS/JT-R/LJT-R/METAL AND PLASTIC CONTACT INSERTION AND REMOVAL TOOLS

Plastic Insertion and Removal Tools

Used with Contact Size	MS Tool P/N	Color Code
12	MS27534-12*	Yellow/White
16	MS27534-16*	Blue/White
20	MS27534-20*	Red/White
22	MS27509A22	Brown
	MS27509R22	White
22M, 22D	MS27534-22D*	Green/White

*Double ended insertion/removal tool. Use color end for insertion, white end for removal.

Metal Insertion Tools

Used with Contact Size	ECD Tool P/N		Color Code
	Angle Type	Straight Type	
12	11-8674-12	11-8794-12	Yellow
16	11-8674-16	11-8794-16	Blue
20	11-8674-20	11-8794-20	Red
22	11-8674-22	11-8794-22	Brown
22M, 22D	11-8674-24	11-8794-24	Black

NOTE: The 11-8674, 11-8675, and 11-8794 Metal Contact Insertion and Removal Tools will accommodate wires having the maximum outside diameter as follows: Contact size 12—.155, 16—.109, 20—.077, 22—.060, 22D—.050, 22M—.050. When wire diameters are in excess of those specified, the plastic tool must be used.

Metal Removal Tools

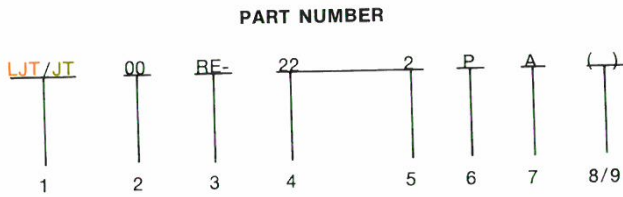
Used with Contact Size	ECD Tool P/N	Color Code
12	11-8675-12	Yellow/White
16	11-8675-16	Blue/White
20	11-8675-20	Red/White
22	11-8675-22	Brown/White
22M, 22D	11-8675-24	Black/White

JT/LJT

how to order

PROPRIETARY PART NUMBER

To more easily illustrate ordering procedure, part number JT00RE-22-2PA () is shown as follows:



See code below:

1. Connector Type:

- JT** designates standard Junior Tri-Lock Connector, **LJT** designates long Junior Tri-Lock Connector
- LJTS/JTS** designates high temperature connector
- LJTN/JTN** designates chemical and fuel resistant
- JTL** designates Pygmy mounting dimensions
- JTLN** designates Pygmy mounting dimensions—chemical resistant
- JTLS** designates Pygmy mounting dimensions — high temperature
- LJTP/JTP** designates back panel mounted
- LJTPN/JTPN** designates back panel mounted — chemical resistant
- LJTPS/JTPS** designates back panel mounted — high temperature
- JTG*** designates plug with grounding fingers
- JTNG*** designates plug with grounding fingers — chemical resistant

*Grounding fingers standard on all LJT plugs.

2. Shell Style:

- 00 designates wall mount receptacle
- 01 designates line mount receptacle
- 02 designates box mount receptacle
- 06 designates straight plug
- 07 designates jam nut receptacle
- 08 designates 90-degree plug
- 1 designates solder mount receptacle — hermetic

3. Service Class:

- “P” for potting applications — These connectors are supplied with a potting boot.† All shells are designed with integral features to retain potting boots.†
- “A” for general duty applications — Threaded rear design.† Can be supplied with strain relief “A (SR).”
- “C” for pressurized applications. Threaded rear design.† Can be supplied with strain relief “C (SR).”
- “H” for hermetic applications — Fused compression glass sealed inserts. Leakage rate less than .01 micron cu. ft./hr. (1 x 10⁻⁷ cc/sec.) at 15 psi differential.
- “Y” same as “H” with interfacial seal.
- “T” for MS27599A applications — General duty — pressurized (receptacles only).
- “RP” for potting crimp applications — Supplied with spacer grommet and potting boot.†

“RE” for environmental crimp applications — Supplied with a grommet and compression nut.† Can be supplied with strain relief integral with compression nut “RE (SR).” (JT Series only.)

“RT” for environmental applications — Supplied without rear accessories. Design provides serrations on rear threads of shells.

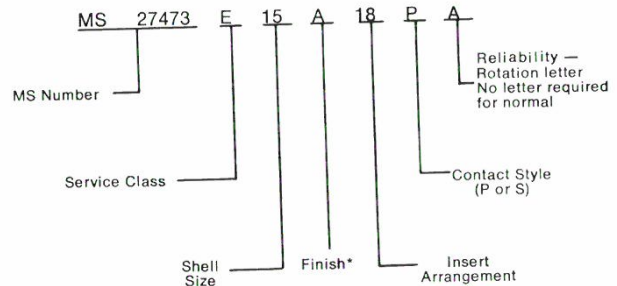
For additional information defining complete description of service class, consult factory.

4. JT shell sizes available from 8 through 24. LJT shell sizes available from 9 through 25. (Page 4 through 8)
5. 22-2 designates insert arrangement. Refer to following pages for additional insert patterns. (Page 6 through 8)
6. P designates pin contacts. S for socket contacts.
7. A designates a rotated connector assembly. Other basic rotations are B, C, and D. No letter required for normal (no rotation) position. (Page 4)
8. SR designates a strain relief clamp. Strain reliefs are available only on A, C, and RE class connectors.
9. Finish variation suffix.

†Not applicable to box mounting style.

Finish	Finish Suffix	Finish plus SR Suffix
Cadmium Plated Nickel Base		(SR)
Bright Cadmium	(001)	(304)
Olive Drab Cadmium Plate	(003)	(301)
Grey Anodize	(004)	(382)
Anodic Coating (Alumiliite)	(005)	(300)
Bright Nickel	(009)	(362)
Chromate Treated (Iridite 14-2)	(011)	(344)
Olive Drab Cadmium Plate Nickel Base	(014)	(386)

MILITARY TYPES



*For finish variations, see finish data. (Page 3)

For MS depictions and dimensional data see applicable MIL-Spec. (MIL-C-38999, MIL-C-27599).

Bendix Federal Vendor Identification/FSCM 77820

SALES OFFICES

Military/Aerospace

ATLANTA, GA
800-526-9020

NEW ENGLAND
603-893-5033
382 Main Street
Salem, NH 03079

CHICAGO, IL
219-489-2832

DALLAS, TX
214-343-8420
9550 Forest Lane (Suite 125)
Dallas, TX 75231

DAYTON, OH
513-294-0461
3131 South Dixie Dr. #222
Dayton, OH 45439

FT. WAYNE, IN
219-489-2832

LOS ANGELES, CA
714-855-4454
Suite 101
23185 LaCadena Drive
Laguna Hills, CA 92653

MINNEAPOLIS, MN
612-452-5906
3445 Washington Dr. Suite 100
Eagan, MN 55122

NEW YORK METROPOLITAN
201-288-1710
P.O. Box 1948
Teterboro, NJ 07608

ORLANDO, FL
305-291-8536

PHILADELPHIA, PA
201-288-1710

PHOENIX, AZ
602-972-8020

SAN FRANCISCO, CA
408-732-8990
465 S. Mathilda Avenue (Suite 301)
Sunnyvale, CA 94086

SEATTLE, WA
206-455-0066
925 116th Ave., N.E.
Suite 247, P.O. Box 726
Bellevue, WA 98009

SIDNEY, NY
607-563-5324
40-60 Delaware Street
Sidney, NY 13838-1395

ST. LOUIS, MO
314-293-0399
3751 Pennridge Square (Suite 100)
Bridgeton, MO 63044

TULSA/WICHITA
918-496-9401

WASHINGTON, DC
800-526-9020
201-288-1710

Commercial/Industrial

ATLANTA, GA
404-394-6298
(Branch of Greensboro)

NEW ENGLAND
603-893-5033
382 Main Street
Salem, NH 03079

BOULDER, CO
303-443-4780
Front Range Marketing
3100 Arapahoe Rd. (Suite 404)
Boulder, CO 80303

CHICAGO, IL
212-986-2330
125 Windsor (Suite 109)
Oak Brook, IL 60521

DALLAS, TX
214-343-8420
9550 Forest Lane (Suite 125)
Dallas, TX 75243

DAYTON, OH
513-294-0461
3131 S. Dixie Drive (Suite 222)
Dayton, OH 45439

DETROIT, MI
313-722-1420
(Branch of Dayton)

GREENSBORO, NC
919-292-9273
2306 W. Meadowview Road (Suite 117)
Greensboro, NC 27407

HOUSTON, TX
713-525-1118
(Branch of Dallas)

INDIANAPOLIS, IN
317-842-3245
Leslie M. DeVoe Co.
4371 E. 82nd St. (Suite D)
Indianapolis, IN 46250

KNOXVILLE, TN
615-690-6765
(Branch of Greensboro)

LOS ANGELES, CA
213-532-3180
454 Carson Plaza Drive (Suite 204)
Carson, CA 90746-3248

MIAMI, FL
305-392-6688
(Branch of Greensboro)

MILWAUKEE, WI
414-542-9566
(Branch of Chicago)

MINNEAPOLIS, MN
612-452-5906
Eagan West Office Bldg. (Suite 100)
3445 Washington Drive
Eagan, MN 55122

NEW YORK METROPOLITAN
516-582-4466
300 Wheeler Rd (Suite 203)
Hauppauge, NY 11788

ORLANDO, FL
305-678-5504
1031 S. Semoran Blvd.
Winter Park, FL 32792

PHOENIX, AZ
602-265-3227
810 E. Camelback Rd. (Suite 3C)
Phoenix, AZ 85014

ST. LOUIS, MO
314-298-0399
3751 Pennridge Square (Suite 100)
Bridgeton, MO 63044

SALT LAKE CITY, UT
801-364-6481
(Branch of Boulder)

SAN DIEGO, CA
619-272-5451
(Branch of Los Angeles)

SAN FRANCISCO, CA
408-732-8990
465 S. Mathilda Avenue (Suite 301)
Sunnyvale, CA 94086

SEATTLE, WA
206-455-2525
925 116th Ave. N.E. (Suite 247)
Bellevue, WA 98009

WASHINGTON, DC
301-459-8484
8201 Corporate Dr. (Suite 740)
Landover, MD 20785

DISTRIBUTORS Corporate Headquarters

**AVNET ELECTRONICS
HAMILTON/AVNET ELECTRONICS**
10950 Washington Blvd.
Culver City, CA 90230
213-558-2000

HALL-MARK ELECTRONICS CORP.
11333 Pagemill Rd
Dallas, TX 75243
214-343-5000

POWELL ELECTRONICS, INC.
S. Island Rd. & Enterprise Ave.
Box 8765
Philadelphia, PA 19101
215-365-1900

SCHWEBER ELECTRONICS CORP.
Jericho Turnpike
Westbury, NY 11590
516-334-7474

C. TENNANT ELECTRONICS
1051 Blake Street
Box 13328
Edwardsville, KS 66113
913-441-1801

INTERNATIONAL OPERATIONS

CANADA
Montreal, PQ
514-482-5520
3285 Cavendish Blvd. (Suite 645)
Montreal, PQ H4B 2L9

OTTAWA, ON
613-226-2727
112 Colonnade Rd
Nepean, ON K2E 7L6

TORONTO, ON
416-291-4401
TWX: 610-492-4379
Telex: 065 25210
44 Metropolitan Rd.
Scarborough, ON M1R 2T9

VANCOUVER, BC
604-278-7636
10711 Cambie Rd. (Suite 230)
Richmond, BC V6X 3C9

EUROPE

AUSTRIA
Amphenol Ges m.b.H.
Tautenhayngasse 22.
A-1151 Wien (Vienna).
Tel: (0222) 925 166
TLX: (847) 132661

ENGLAND
Amphenol Limited
Thanet Way
Whitstable, Kent CT5 3JF
Tel: 02 27-26 44 11
TLX: (851) 96157

FRANCE
UMD Amphenol
Avenue de Gray-
21 Chemin Du Defois
39100 Dole
Tel: (84) 72 81 13
TLX: (842) 360264

W. GERMANY
Amphenol-Tuchel Electronics GmbH
August-Haeusser Str. 10
7100 Heilbronn
Tel: (07131) 486-1
TLX: (841) 728816

ITALY
Amphenol Italia S.R.L.
Via Senato 6/B 20020 Arese (Mi)
Tel: 0039 2 938 51 61 (r.a.)
TLX: (334) 899 SICEMI

NETHERLANDS
Amphenol Benelux
Postbus 253
P/A Ambachtsweg, 3-4
3401 MK Ijsselstein
Tel: 31-3408-86824
TLX: 47203 ILBV NL

SWEDEN
Amphenol Scandinavia AB
Kanalvaegen 1
S194 61 Upplands Vaesby
Tel: (08) 760-88035
TLX: (854) 17890

FAR EAST

HONG KONG
Amphenol East Asia, Ltd.
Room 513-14
World Commerce Centre
Harbour City, 11 Canton Rd.
TST, Kowloon, Hong Kong
Tel: 3-681283/4
TLX: 39289 AMPHL HX

INDIA
Amphetronix Ltd.
Plot No. 105
Bhosari Industrial Area
P. B. No. 1 Poona, 411026
Tel: 83363
TLX: (953) 145-337

JAPAN
DAITO SHOJI CO., LTD.
3, Shimamachi 1- Chome
Higashiku, Osaka 540
Tel: 03 264 0221
TLX: 00529-6522

Notice: Specifications are subject to change without notice. Contact your nearest Amphenol Products Sales Office for the latest specifications. All statements, information and data given herein are believed to be accurate and reliable but are presented without guaranty, warranty, or responsibility of any kind, expressed or implied. Statements or suggestions concerning possible use of our products are made without representation or warranty that any such use is free of patent infringement and are not recommendations to infringe any patent. The user should not assume that all safety measures are indicated or that other measures may not be required. Specifications are typical and may not apply to all connectors.

**AMPHENOL PRODUCTS
HEADQUARTERS**
312-983-3500
4300 Commerce Court
Lisle, IL 60532

Bendix Connector Operations
607-563-5324
40-60 Delaware Street
Sidney, New York 13838-1395



So YOU Want To Know Connectors

A Handy
Reference
Guide



ALLIED Amphenol
Products

CONTENTS:

SECTION I
NOMENCLATURE: CYLINDRICAL CONNECTORS 1
 Basic Components
 Know the Language

SECTION II
MAJOR MIL-SPECIFICATIONS BY TYPE
STANDARD, MS, MIL-C-5015
HEAVY DUTY MIL-C-22992
PROPRIETARY VARIATIONS 4
 MIL-C-5015 Part Number Breakdown
 MIL-C-22992 Part Number Breakdown

SECTION III
MAJOR MIL-SPECIFICATIONS BY TYPE
MINIATURE OR MIL-C-26482 TYPES and
MIL-C-83723 Series I 6
 MIL-C-26482 Part Number Breakdown
 Pygmy Crimp, Solder Part Number Breakdown

SECTION IV
MAJOR MIL-SPECIFICATIONS BY TYPE
SUBMINIATURE OR MIL-C-38999 TYPES 10
 JT Series, LJT Series Finish Data and
 Part Number Breakdown MIL-C-38999
 LJT-R/JT-R and Accessories Cross Reference List
 SJT Series Tri-Start Series

SECTION V
CROSS REFERENCE BY MIL-SPEC TO COMPETITOR'S
PART NUMBER 21
 Intermating Chart

SECTION VI
QUALIFIED PRODUCTS LIST BY CONNECTOR
SPECIFICATION 24
 Current QPL Supplier Addresses
 Military Specification Summary

SECTION VII
WHAT DO YOU NEED TO SELL ? 27
 Checklist
 Conclusion

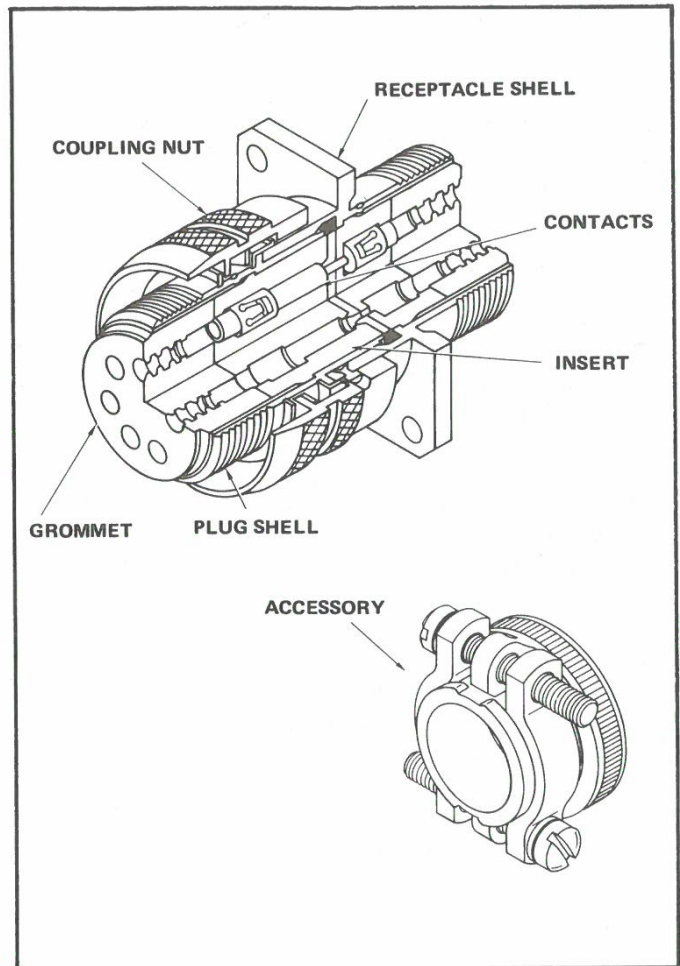
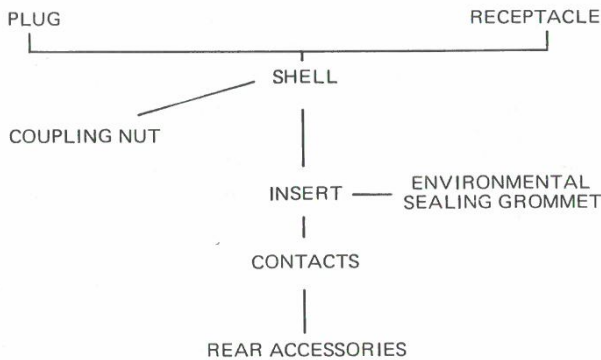
This booklet is intended to be used as a ready reference to typical standard, miniature and sub-miniature cylindrical connector part numbers and terminology. Reading its brief pages will not make you a connector expert, but should guide you in becoming familiar with the product, to better serve our customers with a really great connector line.

SECTION I

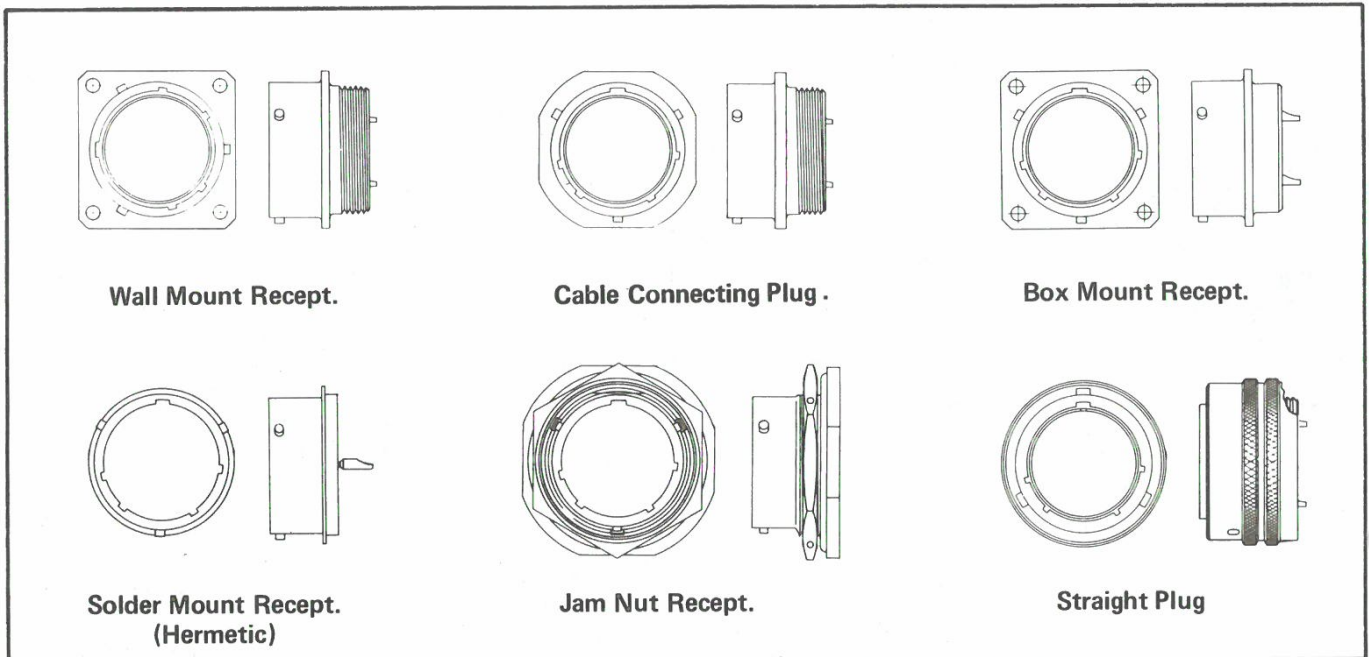
NOMENCLATURE: CYLINDRICAL CONNECTORS

Basic Components

1. Shell (Houses Insert & Contacts)
2. Insert (Dielectric Contact Insulator) Pin or Socket
3. Contact (Wire End Termination) (Signal Joining Part)
4. Coupling Nut
5. Accessories (Wire Seals, Cable Seals, Wire Support, etc.)



SHELL STYLES



SHELL STYLES, Cont.

COUPLING

Threaded, Bayonet

SHELL SIZES (Typical MIL-C-5015)

8S	14S	18	28
10S	14	20	32
10SL	16S	22	36
12S	16	24	40
12			

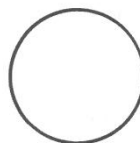
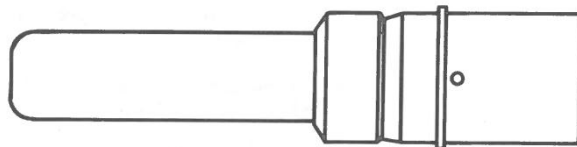
Short contact "S" designates short (length)
Short contact "SL" designates long (length)

Shell size denotes mating thread diameter in 16'ths of an inch. ie. a size 8 shell denotes 8/16 of an inch with a .5000-28 UNEF thread.

STYLE DESIGNATION

PLUG	SHELL STYLES
06	Straight
08	90°
09	Flange Mount Recept
05	Straight, Less Rear Accessory
RECEPTACLE	SHELL STYLES
00	Wall Mount
01	Cable Connecting Plug
02	Box Mount
03	Wall Mount, Less Rear Accessory
07	Jam Nut
IH	Solder Mount Hermetic

SIZE BY WIRE GAUGE



4/0 AMERICAN
WIRE GAUGE 4/0

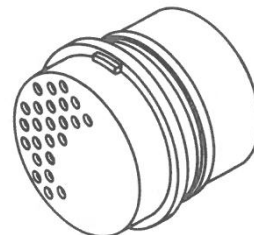
 22D AMERICAN WIRE GAUGE 22-28

INSERTS

INSERT (Pin or Socket)



INSERT & GROMMET ASSY.



- Solder
- Crimp
 - Metal Clip Retention
 - Dielectric Retention

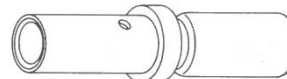
May include a soft front interfacial seal (Bonded) if dielectric is hard, and a rear sealing grommet separate or attached.

CONTACTS

PIN - CRIMP*



SOCKET - CRIMP*



PIN - SOLDER



SOCKET - SOLDER



*Crimp are removable

SECTION II

MAJOR MIL-SPECIFICATIONS BY TYPE

STANDARD MS MIL-C-5015
Heavy Duty MIL-C-22992
Proprietary Variations

- Older larger series of connectors
- Found on many pieces of military equipment
- Mostly heavy current carrying connectors
- Early types had only solder type contacts
- Later revision to MIL SPEC also added crimp type contacts
- Bendix supplies the solder type to the MIL SPEC
- Bendix supplies both solder and crimp versions under proprietary part numbers
- Several variations of basic MIL-C-5015 and MIL-C-22992 Types are available in the same and additional contact arrangements, such as the QWL, QWLD, 10-214000 Series, 10-244000 Series and others, and can be found in the Bendix Catalog
- See Bendix Electrical Connector Catalog Sections: MIL-C-5015 Cylindrical, MIL-C-5015 modifications, Heavy Duty Cylindrical, Commercial Aircraft Cylindrical
- Basic part number for MIL-C-5015 Series as supplied by Bendix is MS310X A, C, E, F, P or R
- MIL-C-5015 Threaded Coupling - 1 Key/Keyway shell polarization

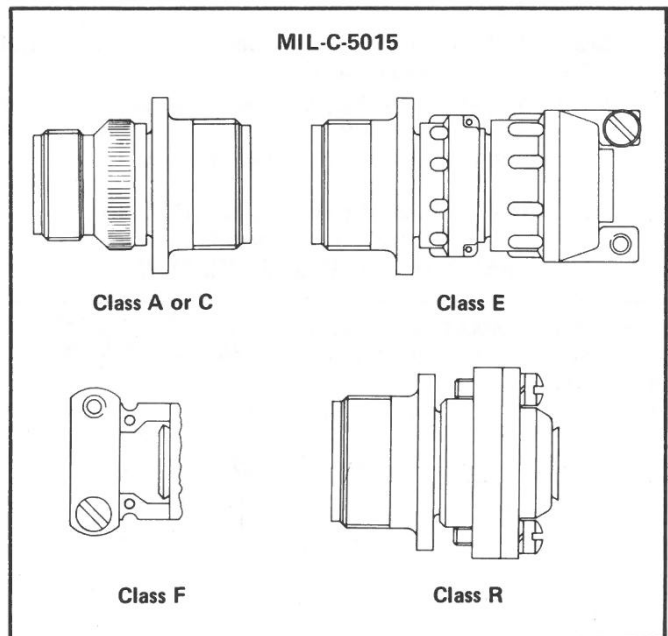
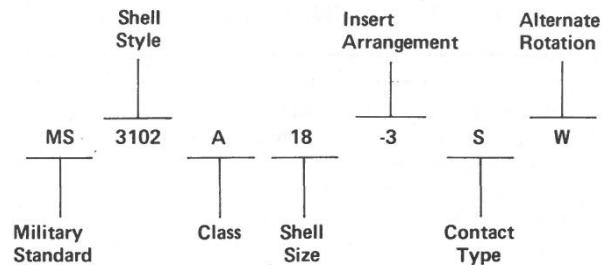
SHELL STYLES

<u>3100</u>	Wall Mount Receptacle
<u>3101</u>	Cable Connecting Plug
<u>3102</u>	Box Mount Receptacle
<u>3106</u>	Straight Plug
<u>3108</u>	90° Plug

CONTACT SIZES

Contact Size	16	12	8	4	0
American Wire Gauge	16-22	12-14	8-10	4-6	0-2
Wire Size	16-22	12-14	8-10	4-6	0-2

MIL-C-5015 PART NUMBERS

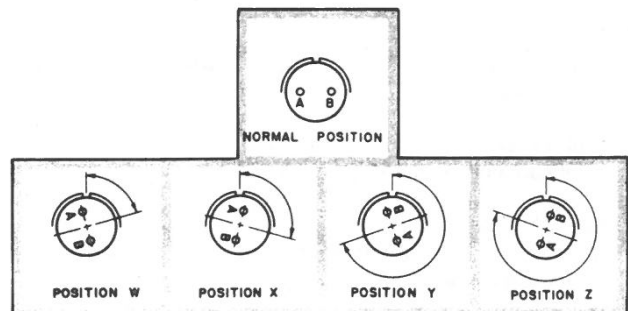


MATING HALVES

- Plugs: MS3106, MS3108, MS3101
- Receptacles: MS3100, MS3102
- Other Non-MIL - Mates Flange Mounted
- Flange Mounted Plug: FP3106
- Thru-Bulkhead Receptacle: TBF

See also 10-74XXX & 10-873XX catalog section MIL-C-5015 Mods. For Jam nut receptacles (Non-MIL)

ALTERNATE POSITIONS OF INSERT ARRANGEMENTS

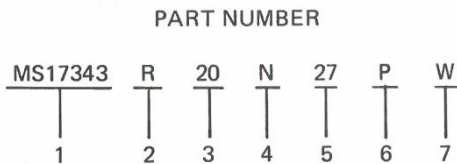


HEAVY DUTY CYLINDRICAL CONNECTORS

- **CLASS L** - for the heaviest electrical loads
Current range 40 to 200 amperes
Direct current or single/three phase, 60/400 Hertz alternating current
Automatic grounding for safety
- **QWLD** - for most power and control circuits
Military qualified connectors and commercial equivalents available
Increased shell size for greater durability than similar standard connectors
- Class L and QWLD have 5 key/keyway shell polarization and Double Stub Thread Coupling
- **QWLD** - a more economical, compact heavy duty design for commercial power and control applications; single key shell polarization and double stub thread coupling

MIL-C-22992 SERIES CONNECTORS CLASSES C, R and L PART NUMBER BREAKDOWN

The ordering procedure for QWLD MS-APPROVED CONNECTORS is illustrated by part number MS17343R20N27P W as shown below:



See code below:

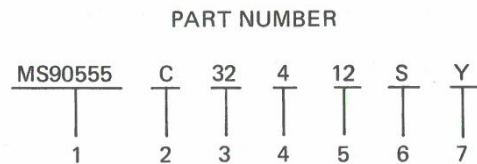
- MS Numbers**
 - MS17343 designates wall mount receptacle.
 - MS17344 designates straight plug.
 - MS17345 designates cable connecting plug.
 - MS17346 designates box mount receptacle.
 - MS17347 designates jam nut receptacle with rear accessory threads (wall mount).
 - MS17348 designates jam nut receptacle (box mount).
- Class**
 - C designates pressurized. . . used where circuit integrity is protected by a pressure differential.
 - R designates environmental. . . (see Heavy Duty Cylindrical Catalog for definition).
- Shell Size**
 - Available in shell sizes 12 through 44. See catalog for dimensional data.
- Shell Finish**
 - C for conductive or N for non-conductive.
- Insert Arrangement**
 - Current MS insert arrangements are listed in catalog 12-052, Heavy Duty Cylindrical.

- Contact Type**
 - "P" designates pin contacts. "S" for socket contacts.

- Alternate Insert Rotations:**
 - Used to prevent cross-mating of connectors. Absence of a letter in this space indicates normal (0°) position of the insert. See catalog for alternate insert rotation illustrations.

See catalog 12-052 for proprietary equivalents such as HK Series and 10-194XXX Series. Also see publication L-1080 for QWL Series.

The ordering procedure for CLASS "L" CONNECTORS is illustrated by part number MS90555C32412SY as shown below:



See code below:

- MS Numbers**
 - MS90555 designates wall mount receptacle (power source).
 - MS90556 designates straight plug.
 - MS90557 designates cable connecting plug without coupling ring.
 - MS90558 designates wall mount receptacle with coupling ring (equipment end).
- Shell Finish**
 - C (conductive) for AC or N (non-conductive) for DC circuits.
- Shell Size**
 - Relates directly to current carrying capability.
 - Size 28 - 40 amperes.
 - Size 32 - 60 amperes.
 - Size 44 - 100 amperes.
 - Size 52 - 200 amperes.
- Main Shell Key/keyway Position**
 - N designates normal position. Three other positions (4, 5 and 6) of the main shell key/keyway prevent cross-mating or incompatible voltages. Refer to the individual connector style descriptions in catalog 12-052 for applicability.
- Insert Arrangement**
 - Determined by connector size (current carrying capability) and cable configuration to be accommodated. See catalog for insert arrangement pattern illustrations.
- Contact Type**
 - "P" designates pin contacts. "S" for socket contacts. MS90555 and MS90557 are supplied with socket contacts only. MS90556 and MS90558 are supplied with pin contacts only.
- Alternate Insert Rotation**
 - Used to prevent cross-mating of incompatible frequencies. Absence of a letter in this space indicates normal (0°) position of the insert. See catalog for individual insert arrangement descriptions.

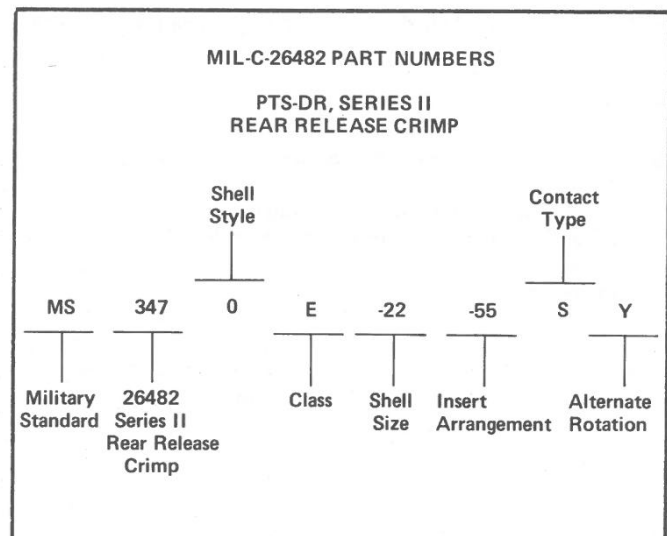
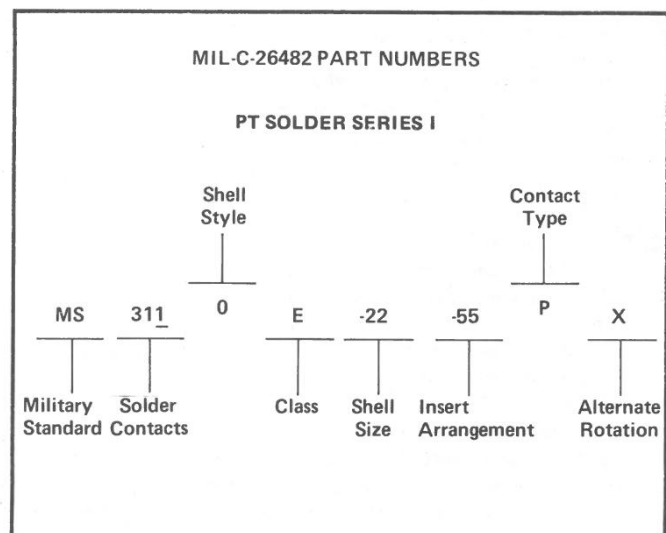
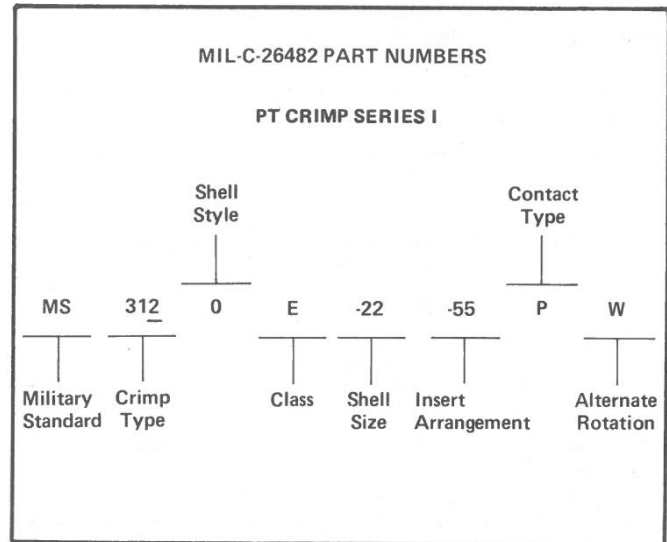
SECTION III

MAJOR MIL-SPECIFICATIONS BY TYPE MINIATURE MIL-C-26482 MIL-C-83723 Series I

MINIATURE PT - TYPES ("PYGMY"), MIL-C-26482

- Widely used smaller connectors
- Extensive use on military equipment including aircraft as well as commercial applications
- Available with either crimp or solder type contacts
- 3 point bayonet coupling
- Popular low cost series
- 5 Key/keyway shell polarization
- Bendix supplies MIL SPEC Types as well as proprietary versions
- MS311X or PT, solder type contacts (Series I)
- MS312X or PT-SE, crimp type contacts (front release) (Series I)
- MS347X or PTS-DR, crimp type contacts (rear release) (Series II)
- Modifications of Basic Series are:
 - PT-CE, crimp type contacts (front removable) no MIL P/N, intermates with MS Connectors
 - PC, double stub threaded coupling - (available with either crimp or solder contacts) no MIL P/N, does not intermate with PT Types
 - SP, same as PT except wider flanges for back panel mounting, anodic coating, no MIL P/N, intermates
 - DC, same as PT except resistant to aircraft fluids, no MIL P/N, intermates
- There are other modifications and specials available
- For details on above Series see Bendix Electrical Connector Catalog Sections "Miniature Cylindrical", "Commercial Aircraft Cylindricals"

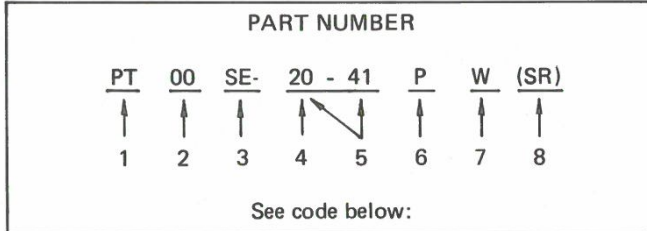
MIL-C-26482 Series II is the same as MIL-C-83723 Series I and will intermate with all PT connectors. The Series features rear removable contacts — accessories are ordered separately. MIL-C-83723 Series I has been superseded by MIL-C-26482 Series II.



PYGMY CRIMP CONNECTORS PART NUMBER BREAKDOWN

PROPRIETARY PART NUMBER CONSTRUCTION FOR PYGMY CRIMP CONNECTORS

To more easily illustrate ordering procedures, part number PT00SE-20-41PW (SR) is broken down as follows:



1. Connector Families:

PT designates standard olive drab cadmium plated Tri-Lock Coupling connector.

SP designates connector similar to PT except for anodic coating and larger flange and mounting holes for back panel mounting

2. Shell Styles:

"00" designates wall mount receptacle.

"01" designates cable connecting plug.

"02" designates box mount receptacle.

"06" designates straight plug.

"07" designates jam nut receptacle.

"08" designates 90° plug.

3. Service Classes:

"SE" designates environmental crimp.

"SP" designates potted type crimp.

Both of the above are Bendix proprietary versions of the MIL-C-26482 Series I crimp contact connector and offer 15 lbs. contact retention for size 20 contacts, 25 lbs. for size 16 contacts.

"CE" designates environmental crimp.

"CP" designates potted type crimp.

Both of the above are *original* Bendix crimp connectors and offer 7 lbs. contact retention for size 20 contacts, 9 lbs. for size 16 contacts.

4. "20" designates shell size. Shell sizes available are 8 through 24.

5. "20-41" designates insert arrangement.

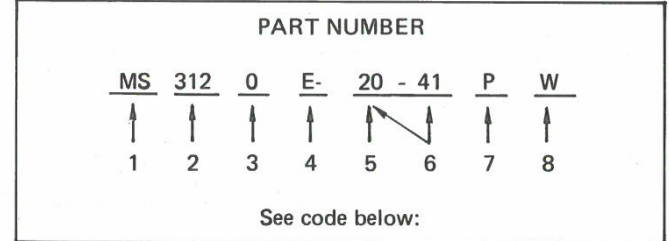
6. "P" designates pin contacts. "S" for socket contacts.

7. "W" designates that insert is rotated in its shell from the standard position to alternate position W. The basic rotations are W, X, Y, and Z. No letter required for normal (no rotation) position.

8. "SR" designates a strain relief clamp. Deviation suffixes would be inserted here. For example, (005) would indicate the metal parts (except contacts) would have anodic coating.

PART NUMBER NOMENCLATURES FOR MS/PT CRIMP CONNECTORS TO MIL-C-26482 SPECIFICATION

To more easily illustrate ordering procedures, part number MS3120E-20-41PW is broken down as follows:



1. Military Standard

2. "312" designates basic family number for Mil-Spec 26482 crimp type.

3. Shell Styles:

"0" designates wall mount receptacle.

"1" designates cable connecting plug.

"2" designates box mount receptacle.

"4" designates jam nut receptacle.

"6" designates straight plug.

"7" designates box mount receptacle with dual mounting holes.

"8" designates wall mount receptacle with dual mounting holes.

4. Service Classes:

"E" designates environmental resisting connector.

"F" designates environmental resisting connector with strain relief.

"P" designates potted type with potting boot.

5. "20" designates shell size. Shell sizes available are 8 through 24.

6. "20-41" designates insert arrangement.

7. "P" designates pin contacts. "S" for socket contacts.

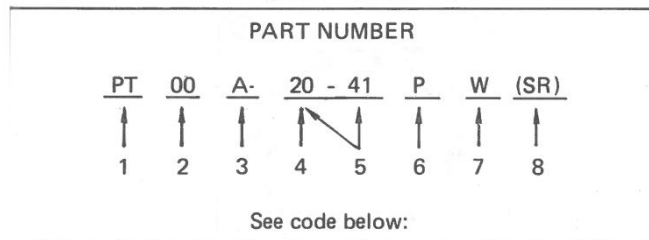
8. "W" designates that the insert is rotated in its shell from the standard position to alternate position W. The basic rotations are W, X, Y, and Z. No letter required for normal (no rotation) position.

CROSS REFERENCE - COMMERCIAL PT TO COMPARABLE MILITARY MS TYPES			
BENDIX P/N	MS P/N	BENDIX P/N	MS P/N
PT00SE	MS3120E	PT06SE (SR)	MS3126F
PT01SE	MS3121E	MF00SE (SR)	MS3128F
PT02SE	MS3122E	PT07SE (SR)	MS3124F
PT06SE	MS3126E	PT08SE (SR)	NONE
MF02SE	MS3127E	PT00SP	MS3120P
MF00SE	MS3128E	PT01SP	MS3121P
PT07SE	MS3124E	PT02SP	MS3122P
PT08SE	NONE	PT06SP	MS3126P
PT00SE (SR)	MS3120F	PT07SP	MS3124P
PT01SE (SR)	MS3121F		

PYGMY SOLDER CONNECTORS PART NUMBER BREAKDOWN

PART NUMBER NOMENCLATURE FOR PYGMY SOLDER CONNECTOR

To more easily illustrate ordering procedure, part number PT00A-20-41PW(SR) is shown as follows:



1. Connector Families:

PT designates standard olive drab cadmium plated tri lock coupling connector. This is the Bendix proprietary version of the MIL-C-26482 solder contact connector.

PC designates a bright cadmium plated connector with double stud thread coupling.

SP designates a connector similar to PT except for anodic coated and larger flange and mounting holes for back panel mounting.

2. Shell Styles:

"00" designates wall mount receptacle.

"01" designates cable connecting plug.

"02" designates box mount receptacle.

"06" designates straight plug.

"07" designates jam nut receptacle.

PTB designates thru-bulkhead receptacle.

PTI designates solder-mount receptacle.

3. Service Classes:

"A" designates general duty back shell.

"C" designates pressurized receptacle.

"E" designates environmental resisting with grommet and nut.

"P" designates potted with potting boot.

"W" designates clamp assembly for moisture-proofing, multi-jacketed cables.

"H" designates hermetic seal receptacle.

4. "20" designates shell size. Shell sizes available 6 through 24.

5. "20-41" designates insert arrangements.

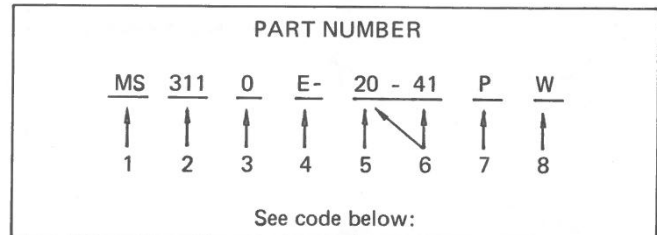
6. "P" designates pin contacts. "S" for socket contacts.

7. "W" designates that insert is rotated in its shell from the standard position to alternate position W. The basic rotations are W, X, Y, and Z. No letter required for normal (no rotation) position.

8. "SR" designates a strain relief clamp. Deviation suffixes would be inserted here. For example: (005) would indicate the metal parts (except contacts) would have alumilite plating.

PART NUMBER NOMENCLATURES FOR MS/PT SOLDER CONNECTOR TO MIL-C-26482 SPECIFICATION

To more easily illustrate ordering procedures, part number MS3110E-20-41PW is broken down as follows:



1. Military Standard

2. "311" designates basic family number for MIL Spec 26482 solder type.

3. Shell Styles:

"0" designates wall mount receptacle.

"1" designates cable connecting plug.

"2" designates box connecting plug.

"4" designates jam nut plug.

"6" designates straight plug.

4. Service Classes:

"E" designates environmental resisting connectors with grommet and clamping nut.

"F" designates environmental resisting connectors with grommet and strain relief.

"P" designates potted type with potting boot.

5. "20" designates shell size. Shell size available 8 through 24.

6. "20-41" designates insert arrangement.

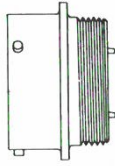
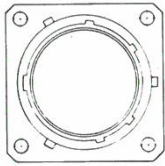
7. "P" designates pin contacts. "S" for socket contacts.

8. "W" designates that insert is rotated in its shell from the standard position to alternate position W. The basic rotations are W, X, Y, and Z. No letter required for normal (no rotation) position.

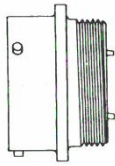
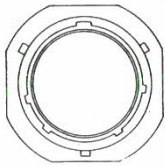
CROSS REFERENCE COMMERCIAL PT TO COMPARABLE MILITARY MS TYPES

BENDIX P/N	MS P/N	BENDIX P/N	MS P/N
PT00A	NONE	PT00E (SR)	MS3110F
PT01A	NONE	PT01E (SR)	MS3111F
PT02A	NONE	PT02E (SR)	NONE
PT06A	NONE	PT06E (SR)	MS3116F
PT07A	NONE	PT07E (SR)	MS3114F
PT00C	NONE	PT00P	MS3110P
PT02C	NONE	PT01P	MS3111P
PT07C	NONE	PT02P	NONE
PTB	MS3119 Ref	PT06P	MS3116P
		PT07P	MS3114P
PT00E	MS3110E	PT00W	NONE
PT01E	MS3111E	PT01W	NONE
PT02E	MS3112E	PT02W	NONE
PT06E	MS3116E	PT06W	NONE
PT07E	MS3114E	PT02H	NONE
		PT07H	MS3114H
		PT1H	MS3113H

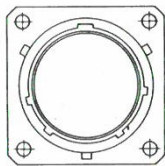
PYGMY SHELL STYLES



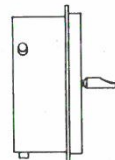
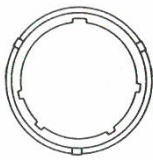
Wall Mount Recept.



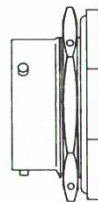
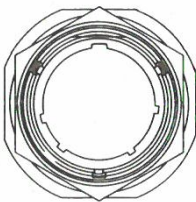
Cable Connecting Plug



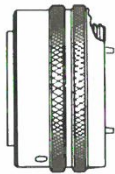
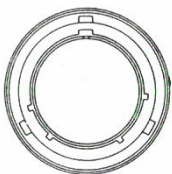
Box Mount Recept.



**Solder Mount Recept.
(Hermetic)**

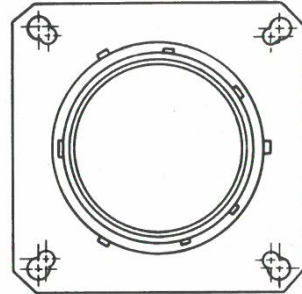


Jam Nut Recept.



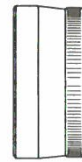
Straight Plug

Also see PTB - Through Bulkhead, Double-ended Receptacle in catalog.

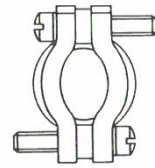


**Wide Flange - Back Panel Mount:
MS3127 Box Mount, MS3128 Wall Mount**

MIL-C-26482



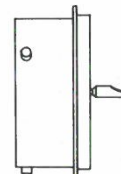
Class E



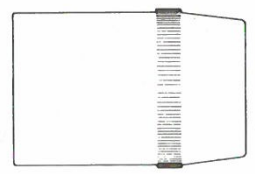
Class F



Class P



Class H



**Class W
(Non-MIL)**

SHELL SIZES

6	10	14	18	22
8	12	16	20	24

CONTACT SIZES

Contact Size	20	16	12
American Wire Gauge	20-24	16-20	12-14
Wire Size	20-24	16-20	12-14

SECTION IV

MAJOR MIL-SPECIFICATIONS BY TYPE SUBMINIATURE MIL-C-38999 MIL-C-27599

SUBMINIATURE – JT/LJT, TRI-START, SJT

- Preferred for new design by the Military
- Greatest growth potential of all cylindricals
- "State of the Art" technology and performance
- MIL-C-27599 has molded-in solder type contacts
- MIL-C-38999 has rear release, crimp removable contacts
- SJT has features of both the JT and LJT and is becoming a NATO preferred connector in Europe
- MIL-C-38999 Series I & II will not intermate
- MIL-C-27599 Series I & II will not intermate
- MIL-C-38999 and MIL-C-27599, Series I and II will intermate respectively
- See Bendix Catalog Sections 12-090-6, "Subminiature Cylindrical Connectors Designed to MIL-C-38999 and MIL-C-27599"; 12-092-1, "Tri-Start Connector - MIL-C-38999 Series III"; and 12-091-4, "SJT", for additional information.

MIL-C-27599

Series I (LJT - Solder)

- 100% Scoop Proof
- Molded in solder type contacts
- Options include PCB, wire wrap contacts
- High contact density (128 contacts)
- Shell grounding fingers standard on all plugs
- Intermateable with MIL-C-38999 Series I
- Bayonet coupling
- 5 key/keyway polarization with 4 alternate clockings

Series II (JT - Solder)

- Low profile, light weight, non-scoop proof
- Molded in solder type contacts
- Options include PCB, wire wrap contacts

- High contact density (128 contacts)
- Shell grounding fingers available as option on plug
- Intermateable with MIL-C-38999 Series II
- Bayonet coupling
- 5 key/keyway polarization with 4 alternate clockings

MIL-C-38999

Series I (LJT-R)

- 100% Scoop Proof
- High density arrangements (128 contacts)
- Contact sizes 12 through 22D plus size 16, 12, 8 coax
- Bayonet coupling
- DOD preferred
- Corrosion Resistant (500 hr. salt spray)
- Removable crimp, PCB, wire wrap and coax contacts available
- Options include Hermetics, Filters and Thermocouples
- 5 key/keyway polarization with 4 alternate clockings
- Shell grounding fingers are standard on all plugs
- Triple web grommet seal
- Available in a failsafe lanyard release plug

Series II (JT-R)

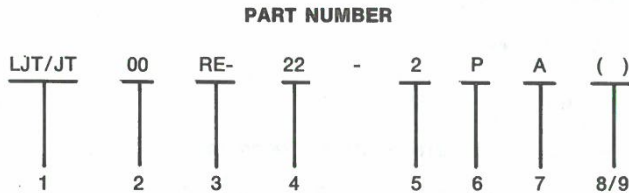
- High density arrangements (128 contacts)
- Low silhouette, light weight non-scoop proof
- Bayonet coupling
- Contact sizes 12 through 22D plus size 16 & 12 coax
- 5 key/keyway polarization with 4 alternate clockings
- Removable crimp, PCB, wire wrap and coax contacts available
- Corrosion resistant (500 hr. salt spray)
- Options include Hermetics, Filters and Thermocouples
- Shell grounding fingers on plugs are an option
- Triple web grommet seal

JT/LJT

how to order

PROPRIETARY PART NUMBER

To more easily illustrate ordering procedure, part number JT00RE-22-2-P-A () is shown as follows:



See code below:

1. Connector Type:

- JT designates standard Junior Tri-Lock Connector
- LJT designates long Junior Tri-Lock Connector
- LJTS/JTS designates high temperature connector
- LJTN/JTN designates chemical and fuel resistant
- JTL designates Pygmy mounting dimensions
- JTLN designates Pygmy mounting dimensions — chemical resistant
- JTLS designates Pygmy mounting dimensions — high temperature
- LJTPO/JTPO designates back panel mounted
- LJTPO/JTPO designates back panel mounted — chemical resistant
- LJTPO/JTPO designates back panel mounted — high temperature
- JTG* designates plug with grounding fingers
- JTNG* designates plug with grounding fingers — chemical resistant

*Grounding fingers standard on all LJT plugs.

2. Shell Style:

- 00 designates wall mount receptacle
- 01 designates line mount plug
- 02 designates box mount receptacle
- 06 designates straight plug
- 07 designates jam nut receptacle
- 08 designates 90-degree plug
- I designates solder mount receptacle — hermetic

3. Service Class:

- "P" for potting applications — These connectors are supplied with a potting boot.† All shells are designed with integral features to retain potting boots.†
- "A" for general duty applications — Threaded rear design.† Can be supplied with strain relief "A (SR)."
- "C" for pressurized applications. Threaded rear design.† Can be supplied with strain relief "C (SR)."
- "H" for hermetic applications — Fused compression glass sealed inserts. Leakage rate less than .01 micron cu. ft./hr. (1 x 10⁻⁷ cc/sec.) at 15 psi differential.
- "Y" same as "H" with interfacial seal.
- "T" for MS27599A applications — General duty — pressurized (receptacles only).
- "RP" for potting crimp applications — Supplied with spacer grommet and potting boot.†

"RE" for environmental crimp applications — Supplied with a grommet and compression nut.† Can be supplied with strain relief integral with compression nut "RE (SR)." (JT Series only.)

"RT" for environmental applications — Supplied without rear accessories. Design provides serrations on rear threads of shells.

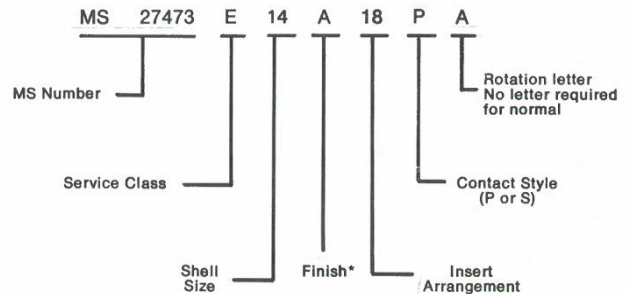
For additional information defining complete description of service class, consult factory.

4. JT shell sizes available from 8 through 24. LJT shell sizes available from 9 through 25.
5. -2 designates insert arrangement.
6. P designates pin contacts. S for socket contacts.
7. A designates a rotated master key/keyway. Other basic rotations are B, C, and D. No letter required for normal (no rotation) position.
8. SR designates a strain relief clamp. Strain reliefs are available only on A, C, and RE class connectors.
9. Finish variation suffix.

†Not applicable to box mounting style.

Finish	Finish Suffix	Finish plus SR Suffix
Cadmium Plated Nickel Base		(SR)
Bright Cadmium	(001)	(304)
Olive Drab Cadmium Plate	(003)	(301)
Grey Anodize	(004)	(382)
Anodic Coating (Alumilite)	(005)	(300)
Bright Nickel	(009)	(362)
Chromate Treated (Iridite 14-2)	(011)	(344)
Olive Drab Cadmium Plate Nickel Base	(014)	(386)

MILITARY TYPES



*For finish variations, see finish data.

For MS depictions and dimensional data see applicable MIL-Spec. (MIL-C-38999, MIL-C-27599).

JT/LJT specifications

Contact Rating

Contact Size	Test Current		Maximum Millivolt Drop Crimp	Maximum Millivolt Drop Solder	
	Standard	Hermetic		Standard	Hermetic
22M	3	2	30	20	60
22D	5	3	40	20	85
22	5	3	40	20	85
20	7.5	5	35	20	60
16	13	10	25	20	85
12	23	17	25	Not Available	85

Contact Size	CRIMP WELL DATA		SOLDER WELL DATA	
	Well Diameter	Nominal Well Depth	Well Diameter	Nominal Well Depth
22M	.029 ±.001	.141	.029+.004 -.000	.094
22D	.0345±.0010	.141	.0355±.0010	.094
22	.0365±.0010	.141	.036+.004 -.000	.094
20	.047 ±.001	.209	.044+.004 -.000	.125
16	.067 ±.001	.209	.078+.004 -.002	.141
12	.100 ±.002	.209	Not Available	

Service Rating*

Service Rating	Suggested Operating Voltage (Sea Level)		Test Voltage (Sea Level)	Test Voltage 50,000 Ft.	Test Voltage 70,000 Ft.	Test Voltage 110,000 Ft.
	AC (RMS)	DC				
M	400	550	1300 VRMS	550 VRMS	350 VRMS	200 VRMS
I	600	850	1800 VRMS	600 VRMS	400 VRMS	200 VRMS
II	900	1250	2300 VRMS	800 VRMS	500 VRMS	200 VRMS

*Please note that the establishment of electrical safety factors is left entirely in the designer's hands, since he is in the best position to know what peak voltages, switching surges, transients, etc., can be expected in a particular circuit.

Finish Data

Aluminum Shell Components Non-Hermetic				
Finish	Suffix		Indicated Finish Standard for JT Types Listed Below	Indicated Finish Standard for LJT Types Listed Below
	Military	Proprietary		
Cadmium Plated Nickel Base	MS (A)		JT/JTG/JTL/JTP/JTPQ	LJT/LJTP/LJTPQ
Bright Cadmium		(001)		
Olive Drab Cadmium Plate		(003)		
Grey Anodize		(004)		
Anodic Coating (Alumilite)	MS (C)	(005)	JTS/JTPS/JTLS/JTPSQ	LJTSP/LJTS/LJTSQ
Bright Nickel		(009)		
Chromate Treated (Iridite 14-2)		(011)	JTN/JTPN/JTLN	LJTN/LJTPN
Olive Drab Cadmium Plate Nickel Base	MS (B)	(014)		
Electroless Nickel	MS (F)	(023)		

Hermetic Material/Finish

Shell	Contact	Type	Shell	Contact	Type
Carbon Steel Tin Plated	Tin Plated	JT-H, JT-Y, LJT-Y	Stainless Steel	.0001 Gold Plated	LJT-H, JT-H (150)
Carbon Steel Tin Plated	.00005 Gold Plated	MS (D)	Carbon Steel Gold Plated	.0001 Gold Plated	JT-H (101), JT-Y (101)
Stainless Steel	.00005 Gold Plated	LJTS-Y, MS (E)	Carbon Steel Tin Plated	.0001 Gold Plated	JT-H (102), JT-Y (102)

*Suffix (101) may be used for non hermetic types from standard finish column; contacts only will be 100 millionths inch minimum gold plate. These finishes are available on other JT and LJT connectors. Contact the factory for additional variations.

**MIL-C-38999 – LJT-R/JT-R and Accessories
Cross Reference List**

Series or Accessory	MS Part No.	Bendix Part No.	Description	
Ac	MS20047AXX	10-275197-XX7	Cap, Recept. Series I, No Chain	
Ac	MS20047BXX	10-275197-XX9		
Ac	MS20047FXX	10-275197-XXG		
Ac	MS20048AXX	10-275196-XX7	Cap, Plug Series I, No Chain	
Ac	MS20048BXX	10-275196-XX9		
Ac	MS20048FXX	10-275196-XXG		
Ac	MS27342AXX-1	10-440390-XX7 (Series II)		
Ac	MS27342BXX-1	10-440390-XX9 (Series II)	Adapter	
Ac	MS27342CXX-1	10-440390-XX5 (Series II)		
Ac	MS27342FXX-1	10-440390-XXG (Series II)		
Ac	MS27342AXX-2	10-241055 Series II		
Ac	MS27342BXX-2	10-457452 Series I		
Ac	MS27342CXX-2			
Ac	MS27342FXX-2			
Ac	MS27352AXX	10-241853-XX7		Cap, Plug Series II, No Chain
Ac	MS27352BXX	10-241853-XX9		
Ac	MS27352CXX	10-241853-XX5		
Ac	MS27532FXX	10-241853-XXG		
Ac	MS27353AXX	10-241856-XX7	Cap, Recept. Series II, No Chain	
Ac	MS27353BXX	10-241856-XX9		
Ac	MS27353CXX	10-241856-XX5		
Ac	MS27353FXX	10-241856-XXG		
I	MS27466EXXAXXP/S	LJTOOREXX-XXP/S	Wall Mount Receptacle	
I	MS27466EXXBXXXP/S	LJTOOREXX-XXP/S (014)		
I	MS27466EXXFXXXP/S	LJTOOREXX-XXP/S (023)		
I	MS27466TXXAXXP/S	LJTOORTXX-XXP/S		
I	MS27466TXXBXXXP/S	LJTOORTXX-XXP/S (014)		
I	MS27466TXXFXXXP/S	LJTOORTXX-XXP/S (023)		
I	MS27466PXXAXXP/S	LJTOORPXX-XXP/S		
I	MS27466PXXBXXXP/S	LJTOORPXX-XXP/S (014)		
I	MS27466PXXFXXXP/S	LJTOORPXX-XXP/S (023)		
I	MS27467EXXAXXP/S	LJTO6REXX-XXP/S		Straight Plug
I	MS27467EXXBXXXP/S	LJTO6REXX-XXP/S (014)		
I	MS27467EXXFXXXP/S	LJTO6REXX-XXP/S (023)		
I	MS27467TXXAXXP/S	LJTO6RTXX-XXP/S		
I	MS27467TXXBXXXP/S	LJTO6RTXX-XXP/S (014)		
I	MS27467TXXFXXXP/S	LJTO6RTXX-XXP/S (023)		
I	MS27467PXXAXXP/S	LJTO6RPXX-XXP/S	Straight Plug	
I	MS27467PXXBXXXP/S	LJTO6RPXX-XXP/S (014)		
I	MS27467PXXFXXXP/S	LJTO6RPXX-XXP/S (023)		
I	MS27468EXXAXXP/S	LJTO7REXX-XXP/S	Jam Nut Mount Receptacle	
I	MS27468EXXBXXXP/S	LJTO7REXX-XXP/S (014)		
I	MS27468EXXFXXXP/S	LJTO7REXX-XXP/S (023)		
I	MS27468TXXAXXP/S	LJTO7RTXX-XXP/S		
I	MS27468TXXBXXXP/S	LJTO7RTXX-XXP/S (014)		
I	MS27468TXXFXXXP/S	LJTO7RTXX-XXP/S (023)		
I	MS27468PXXAXXP/S	LJTO7RPXX-XXP/S		
I	MS27468PXXBXXXP/S	LJTO7RPXX-XXP/S (014)		
I	MS27468PXXFXXXP/S	LJTO7RPXX-XXP/S (023)		
I	MS27469YXXDXXP	LJTOOYXX-XXP		Wall Mount Receptacle, Hermetic Seal
I	MS27469YXXEXXP	LJTSOOYXX-XXP		
I	MS27470YXXDXXP	LJTO7YXX-XXP	Jam Nut Mount Receptacle, Hermetic Seal	
I	MS27470YXXEXXP	LJTSO7YXX-XXP		
I	MS27471YXXDXXP	LJTIYXX-XXP	Solder Mount Receptacle, Hermetic Seal	
I	MS27471YXXEXXP	LJTSIYXX-XXP		

Series or Accessory	MS Part No.	Bendix Part No.	Description	
II	MS27472EXXAXXP/S	JTOOREXX-XXP/S	Wall Mount Receptacle	
II	MS27472EXXBXXXP/S	JTOOREXX-XXP/S (014)		
II	MS27472EXXCXXXP/S	JTSOOREXX-XXP/S		
II	MS27472EXXFXXXP/S	JTOOREXX-XXP/S (023)		
II	MS27472TXXAXXP/S	JTOORTXX-XXP/S		
II	MS27472TXXBXXXP/S	JTOORTXX-XXP/S (014)		
II	MS27472TXXCXXXP/S	JTSOORTXX-XXP/S		
II	MS27472TXXFXXXP/S	JTOORTXX-XXP/S (023)		
II	MS27472PXXAXXP/S	JTOORPXX-XXP/S		
II	MS27472PXXBXXXP/S	JTOORPXX-XXP/S (014)		
II	MS27472PXXCXXXP/S	JTSOORPXX-XXP/S		
II	MS27472PXXFXXXP/S	JTOORPXX-XXP/S (023)		
II	MS27473EXXAXXP/S	JTO6REXX-XXP/S		Straight Plug
II	MS27473EXXBXXXP/S	JTO6REXX-XXP/S (014)		
II	MS27473EXXCXXXP/S	JTSO6REXX-XXP/S		
II	MS27473EXXFXXXP/S	JTO6REXX-XXP/S (023)		
II	MS27473TXXAXXP/S	JTO6RTXX-XXP/S		
II	MS27473TXXBXXXP/S	JTO6RTXX-XXP/S (014)		
II	MS27473TXXCXXXP/S	JTSO6RTXX-XXP/S		
II	MS27473TXXFXXXP/S	JTO6RTXX-XXP/S (023)		
II	MS27473PXXAXXP/S	JTO6RPXX-XXP/S		
II	MS27473PXXBXXXP/S	JTO6RPXX-XXP/S (014)		
II	MS27473PXXCXXXP/S	JTSO6RPXX-XXP/S		
II	MS27473PXXFXXXP/S	JTO6RPXX-XXP/S (023)		
II	MS27474EXXAXXP/S	JTO7REXX-XXP/S	Jam Nut Mount Receptacle	
II	MS27474EXXBXXXP/S	JTO7REXX-XXP/S (014)		
II	MS27474EXXCXXXP/S	JTSO7REXX-XXP/S		
II	MS27474EXXFXXXP/S	JTO7REXX-XXP/S (023)		
II	MS27474TXXAXXP/S	JTO7RTXX-XXP/S		
II	MS27474TXXBXXXP/S	JTO7RTXX-XXP/S (014)		
II	MS27474TXXCXXXP/S	JTSO7RTXX-XXP/S		
II	MS27474TXXFXXXP/S	JTO7RTXX-XXP/S (023)		
II	MS27474PXXAXXP/S	JTO7RPXX-XXP/S		
II	MS27474PXXBXXXP/S	JTO7RPXX-XXP/S (014)		
II	MS27474PXXCXXXP/S	JTSO7RPXX-XXP/S		
II	MS27474PXXFXXXP/S	JTO7RPXX-XXP/S (023)		
II	MS27475YXXDXXP	JTOOYXX-XXP	Wall Mount Receptacle, Hermetic Seal	
II	MS27475YXXEXXP	JTSOOYXX-XXP		
II	MS27476YXXDXXP	JTO2YXX-XXP	Box Mount Receptacle, Hermetic Seal	
II	MS27476YXXEXXP	JTSO2YXX-XXP		
II	MS27477YXXDXXP	JTO7YXX-XXP	Jam Nut Mount Receptacle, Hermetic Seal	
II	MS27477YXXEXXP	JTSO7YXX-XXP		
II	MS27478YXXDXXP	JTIYXX-XXP	Solder Mount Receptacle, Hermetic Seal	
II	MS27478YXXEXXP	JTSIYXX-XXP		
II	MS27479EXXCXXXP/S	JTSOOREXX-XXP/S	Wall Mount Receptacle, Inactive, Use MS27472	
II	MS27479TXXCXXXP/S	JTSOORTXX-XXP/S		
II	MS27480EXXCXXXP/S	JTSO6REXX-XXP/S	Straight Plug, Inactive, Use MS27473	
II	MS27480TXXCXXXP/S	JTSO6RTXX-XXP/S		
II	MS27481EXXCXXXP/S	JTSO7REXX-XXP/S	Jam Nut Mount Receptacle, Inactive, Use MS27474	
II	MS27481TXXCXXXP/S	JTSO7RTXX-XXP/S		
II	MS27482YXXEXXP	JTSOOYXX-XXP	Wall Mt. Recept., Herm. Seal, Inactive, Use MS27475	
II	MS27483YXXEXXP	JTSO7YXX-XXP		
II	MS27483YXXEXXP	JTSO7YXX-XXP	Jam Nut Mt. Receptacle, Hermetic Seal, Inactive, Use MS27477	

Series or Accessory	MS Part No.	Bendix Part No.	Description
II	MS27484EXXAXXP/S	JTGO6REXX-XXP/S	Straight Plug with Grounding Spring
II	MS27484EXXBXXP/S	JTGO6REXX-XXP/S (014)	
II	MS27484EXXFXXP/S	JTGO6REXX-XXP/S (023)	
II	MS27484TXXAXXP/S	JTGO6RTXX-XXP/S	
II	MS27484TXXBXXP/S	JTGO6RTXX-XXP/S (014)	
II	MS27484TXXFXXP/S	JTGO6RTXX-XXP/S (023)	
II	MS27484PXXAXXP/S	JTGO6RPXX-XXP/S	
II	MS27484PXXBXXP/S	JTGO6RPXX-XXP/S (014)	
II	MS27484PXXFXXP/S	JTGO6RPXX-XXP/S (023)	
Ac	MS27485AXX	10-528399-XX7	Ring, Potting Boot, Series II
Ac	MS27485BXX	10-528399-XX9	
Ac	MS27485CXX	10-528399-XX5	
Ac	MS27485FXX	10-528399-XXG	
Ac	MS27486-XX-1	10-241912-XX	Potting, Boot, Straight, Series II
Ac	MS27486-XX-2	10-241990-XX	Potting, Boot, 90°, Series II
Ac	MS27487-XX-1	10-450910-XX, Includes MS27489	Kit, EMR Adapter, Straight, Series I & II
Ac	MS27487-XX-2	10-450911-XX	Kit, EMR Adapter, 90°, Series I & II
Ac	MS27488-12	10-405996-12	Plug, Sealing Grommet
Ac	MS27488-16	10-405996-16	
Ac	MS27488-20	10-405996-20	
Ac	MS27488-22	10-405996-24	
Ac	MS27489-XXX	10-352425-XX	Adapter, Reducer, EMR for Use with MS27487
I	MS27490-XX	10-407035-XX5	Contact - Socket
II	MS27491-XX	10-251416-XX5	Contact - Socket
II	MS27492-XX	10-251416-XXH	Contact - Socket, Inactive, Use MS27491
II	MS27493-XX	10-251415-XX5	Contact - Pin
II	MS27494-XX	10-251415-XXH	Contact - Pin, Inactive, Use MS27493
I & II	MS27495R-XX	11-8675-XX	Tool, Contact, Removable Metal
I & II	MS27495A-XX	11-8674-XX	Tool, Contact, Assy. Metal
I	MS27496EXXAXXP/S	LJTO2REXX-XXP/S	Box Mount Receptacle
I	MS27496EXXBXXP/S	LJTO2REXX-XXP/S (014)	
I	MS27496EXXFXXP/S	LJTO2REXX-XXP/S (023)	
II	MS27497EXXAXXP/S	JTPQOOREXX-XXP/S	Back Panel, Wall Mt Recept
II	MS27497EXXBXXP/S	JTPQOOREXX-XXP/S (014)	
II	MS27497EXXCXXP/S	JTPSQOOREXX-XXP/S	
II	MS27497EXXFXXP/S	JTPQOOREXX-XXP/S (023)	
II	MS27497TXXAXXP/S	JTPQOORTXX-XXP/S	
II	MS27497TXXBXXP/S	JTPQOORTXX-XXP/S (014)	
II	MS27497TXXCXXP/S	JTPSQOORTXX-XXP/S	
II	MS27497TXXFXXP/S	JTPQOORTXX-XXP/S (023)	
II	MS27497PXXAXXP/S	JTPQOO2PXX-XXP/S	
II	MS27497PXXBXXP/S	JTPQOO2PXX-XXP/S (014)	
II	MS27497PXXCXXP/S	JTPSQOO2PXX-XXP/S	
II	MS27497PXXFXXP/S	JTPQOORPXX-XXP/S (023)	
II	MS27497VXXAXXP/S	JTPOOREXX-XXP/S	
II	MS27497VXXBXXP/S	JTPOOREXX-XXP/S (014)	
II	MS27497VXXCXXP/S	JTPSOOREXX-XXP/S	
II	MS27497VXXFXXP/S	JTPOOREXX-XXP/S (023)	

Series or Accessory	MS Part No.	Bendix Part No.	Description
I & II	MS27498EXXAXXP/S	LJTO8REXX-XXP/S	90° Plug, Inactive for Design
I	MS27498EXXBXXP/S	LJTO8REXX-XXP/S (014)	
II	MS27499EXXAXXP/S	JTO2REXX-XXP/S	Box Mount Receptacle
II	MS27499EXXBXXP/S	JTO2REXX-XXP/S (014)	
II	MS27499EXX6XXP/S	JTSO2REXX-XXP/S	
II	MS27499EXXFXXP/S	JTO2REXX-XXP/S (023)	
II	MS27500EXXAXXP/S	JTO8REXX-XXP/S	90° Plug, Inactive for Design
II	MS27500EXXBXXP/S	JTO8REXX-XXP/S (014)	
I	MS27501AXXC	10-421399-XX7	Cover, Plug, with chain
I	MS27501BXXC	10-421399-XX9	
I	MS27501FXXC	10-421399-XXG	
I	MS27502AXXC	10-427406-XX7	Cover, Receptacle, with chain
I	MS27502BXXC	10-427406-XX9	
I	MS27502FXXC	10-427406-XXG	
II	MS27503YXXEXXP	JTSIYXX-XXP	Solder Mt. Receptacle, Hermetic Seal Inactive, Use MS27503
II	MS27504EXXCXXP/S	JTSOOREXX-XXP/S	Box Mount Receptacle, Inactive, Use MS27499
I	MS27505EXXAXXP/S	LJTP02REXX-XXP/S	Back Panel Wall Mt. Recept.
I	MS27505EXXBXXP/S	LJTP02REXX-XXP/S (014)	
I	MS27505EXXFXXP/S	LJTP02REXX-XXP/S (023)	
I	MS27506AXX-1	10-436792-XX7	Adapter, Strain Relief, Clamp Bars
I	MS27506BXX-1	10-436792-XX9	
I	MS27506FXX-1	10-436792-XXG	
II	MS27506AXX-2	10-433992-XX7	
II	MS27506BXX-2	10-433992-XX9	
II	MS27506CXX-2	10-433992-XX5	
II	MS27506FXX-2	10-433992-XXG	
I & II	MS27507A-XX	10-415693-XX7	Adapter, 90° Strain Relief, Clamp Bars
I & II	MS27507B-XX	10-415693-XX9	
I & II	MS27507C-XX	10-415693-XX5	
I & II	MS27507F-XX	10-415693-XXG	
II	MS27508EXXAXXP/S	JTP02REXX-XXP/S	Back Panel Box Mt. Recept.
II	MS27508EXXBXXP/S	JTP02REXX-XXP/S (014)	
II	MS27508EXXCXXP/S	JTPSO2REXX-XXP/S	
II	MS27508EXXFXXP/S	JTP02REXX-XXP/S (023)	
I & II	MS27509R-XX	10-296943-XX	Tool, Contact Removal and Assembly, Plastic Inactive, Use MS27534
I & II	MS27509A-XX	10-296940-XX	
II	MS27510AXXC	10-241801-XX7	Cap, Plug with chain
II	MS27510BXXC	10-241801-XX9	
II	MS27510CXXC	10-241801-XX5	
II	MS27510FXXC	10-241801-XXG	
II	MS27511AXXC	10-241800-XX7	Cap, Receptacle, with chain
II	MS27511BXXC	10-241800-XX9	
II	MS27511CXXC	10-241800-XX5	
II	MS27511FXXC	10-241800-XXG	
II	MS27511AXXR	10-241866-XX7	Cap, Receptacle with wire rope
II	MS27511BXXR	10-241866-XX9	
II	MS27511CXXR	10-241866-XX5	
II	MS27511FXXR	10-241866-XXG	
II	MS27510()XXR	10-241864-	Cap, Plug with wire rope
II	MS27511()XXN	10-241802-	Cap, Receptacle, Jam Nut with chain

Series or Accessory	MS Part No.	Bendix Part No.	Description
II	MS27512-XXA	10-101917-XX7	Nut, Hex
II	MS27512-XXB	10-101917-XX9	
II	MS27512-XXC	10-101917-XX5	
II	MS27512-XXE	10-260548-XX	
II	MS27512-XXF	10-101917-XXG	
II	MS27513EXXAXXP/S	JTO2REXX-XXP/S	Box Mount Receptacle,
II	MS27513EXXAXXP/S	JTO2REXX-XXP/S (014)	Full Length Grommet
II	MS27513EXXCXXP/S	JTSO2REXX-XXP/S	
II	MS27513EXXFXXP/S	JTO2REXX-XXP/S (023)	
I	MS27514-XXA	10-123017-XX7	Nut, Hex
I	MS27514-XXB	10-123017-XX9	
I	MS27514-XXE	10-195959-XX	
I	MS27514-XXF	10-123017-XXG	
I	MS27515EXXAXXP/S	LJTPQOOREXX-XXP/S	Back Panel Wall Mt. Recept.
I	MS27515EXXBXXP/S	LJTPQOOREXX-XXP/S (014)	Inactive, Use MS27656
I & II	MS27534-12	10-538988-12	Tool, Contact Insertion/
I & II	MS27534-16	10-538988-16	Removal, Plastic
I & II	MS27534-20	10-538988-20	
I & II	MS27534-22D	10-538988-22D	
I	MS27535	21-33101-XX	Contact, Socket, Shielded
I	MS27536	21-33102-XX	Contact, Pin, Shielded
I	MS27652EXXFXXP/S	LJTSOOREXX-XXP/S (023)	Wall Mount Receptacle,
I	MS27652TXXFXXP/S	LJTSOORTXX-XXP/S (023)	Inactive, Use MS27466
I	MS27653EXXFXXP/S	LJTSO6REXX-XXP/S (023)	Straight Plug, Inactive,
I	MS27653TXXFXXP/S	LJTSO6RTXX-XXP/S (023)	Use MS27467
I	MS27654EXXFXXP/S	LJTPSOOREXX-XXP/S (023)	Back Panel Wall Mt.Recept.
I	MS27654TXXFXXP/S	LJTPSOORTXX-XXP/S (023)	Inactive, Use MS27656
I	MS27655-XX	10-407035-XXH	Contact, Socket, Inactive,
			Use MS27490
I	MS27656EXXAXXP/S	LJTPQOOREXX-XXP/S	Back Panel Wall Mt.Recept.
I	MS27656EXXFXXP/S	LJTPQOOREXX-XXP/S(014)	
I	MS27656EXXFXXP/S	LJTPQOOREXX-XXP/S(023)	

Series or Accessory	MS Part No.	Bendix Part No.	Description
I	MS27656TXXAXXP/S	LJTPQOORTXX-XXP/S	Back Panel Wall Mt. R
I	MS27656TXXBXXP/S	LJTPQOORTXX-XXP/S(014)	
I	MS27656TXXFXXP/S	LJTPQOORTXX-XXP/S(063)	
I	MS27656PXXAXXP/S	LJTPQOORPXX-XXP/S	Back Panel Wall Mt.Rece
I	MS27656PXXBXXP/S	LJTPQOORPXX-XXP/S(014)	
I	MS27656PXXFXXP/S	LJTPQOORPXX-XXP/S(023)	
I	MS27661EXXAXXP/S	87-538800/74	Straight Plug, Lanyard
I	MS27661EXXBXXP/S	88-538800/74	Release
I	MS27661EXXFXXP/S	91-538800/74	
I	MS27662EXXAXXC	LJTB-XX-XXX	Thru-Bulkhead Mt.Rece
I	MS27662EXXBXXC	LJTB-XX-XXX	
I	MS27662EXXCXXC	LJTB-XX-XXX	
I	MS27662EXXFXXC	LJTB-XX-XXX	
I & II	MS27663AXX-1	10-482790-XX7	Adapter Nut Non-Metall
I & II	MS27663BXX-1	10-482790-XX9	(Nylon Only)
I & II	MS27663CXX-1	10-482790-XX5	
I & II	MS27663FXX-1	10-482790-XX6	
I & II	MS27663AXX-2	10-482494-XX7	Adapter 90° Non-Metall
I & II	MS27663BXX-2	10-482494-XX9	(Nylon Only)
I & II	MS27663CXX-2	10-482494-XX5	
I & II	MS27663FXX-2	10-482494-XX6	
II	MS27664EXXAXXP/S	JTPQOOREXX-XXP/S	Back Panel Wall Mt.Rece
II	MS27664EXXBXXP/S	JTPQOOREXX-XXP/S (014)	Inactive Use MS27497
II	MS27664EXXCXXP/S	JTPSOOREXX-XXP/S	
II	MS27664EXXFXXP/S	JTPQOOREXX-XXP/S (023)	
II	MS27664TXXAXXP/S	JTPQOORTXX-XXP/S	
II	MS27664TXXBXXP/S	JTPQOORTXX-XXP/S (014)	
II	MS27664TXXCXXP/S	JTPSOOORTXX-XXP/S	
II	MS27664TXXFXXP/S	JTPQOORTXX-XXP/S (023)	
I	MS27665		Rack and Panel, Cancell
	MS27666	DNS	
II	MS27667EXXBXXC	JTB-XX-XX	Thru-Bulkhead Utz Rec
II	MS27667EXXCXXC	JTB-XX-XX	
II	MS27667EXXFXXC	JTB-XX-XX	
	MS27668	DNS	
	MS27669	DNS	
	MS27670	DNS	

TRI-START specifications

MIL-C-38999 SERIES III (TV)

- 100% Scoop Proof
- High density contact arrangements
- Contact sizes 12 through 22D plus size 8 coax
- Removable crimp, PCB, wire wrap, coax, triax, and fiber optic contact styles available
- Options include Hermetics, Filters, and Thermocouples
- Self locking, quick disconnect threaded coupling
- Corrosion resistant - shells of stainless steel or cadmium plate over nickel withstand a 500 hour salt spray exposure
- Moisture resistance - improved interfacial seal design prevents electrolytic erosion of contacts
- EMI shielding - designed to obtain metal to metal coupling, the TV connector provides a superior EMI shielding capability
- Vibration/Shock - operates under severe, high temperature shock, testing through 200°C
- Firewall capability - available in stainless steel shell, class K
- Locksmith keying - 5 key/keyway polarization provides 5 alternate clockings
- Shell grounding fingers are standard on all plugs
- Triple web grommet seal
- DOD preferred
- Available in a failsafe lanyard release plug

Contact Rating

Contact Size	Test Current		Maximum Millivolt Drop*	
	Crimp	Hermetic	Crimp	Hermetic
22D	5	3	40	85
20	7.5	5	35	60
16	13	10	25	85
12	23	17	25	85

*Maximum Millivolt Drop Data is determined by measuring resistance of mated contacts from end to end.

Contact Size	CRIMP WELL DATA		HERMETIC DATA	
	Well Diameter	Nominal Well Depth	Well Diameter	Nominal Well Depth
22D	.0345 ± .0010	.141	.036 ^{+0.004} _{-.000}	.094
20	.047 ± .001	.209	.044 ^{+0.004} _{-.000}	.125
16	.067 ± .001	.209	.078 ^{+0.004} _{-.002}	.141
12	.100 ± .002	.209	.116 ^{+0.004} _{-.002}	.141

Finish Data

Non-Hermetic Shell Components		
Finish	Suffix	
	Military	Proprietary
Anodic Coating (Non-Conductive)	C	RX(005)
Electroless Nickel	F	RF
Olive Drab Cadmium Plate Nickel Base	W	RW
Stainless Steel with Nickel Plate	N	RN
Stainless Steel	K	RK
Hermetic Connectors		
Material/Finish	Suffix	
	Military	Proprietary
Stainless Steel	Y	Y
Stainless Steel, Nickel Plate	N	YN

Service Rating*

Service Rating	Suggested Operating Voltage (Sea Level)		Test Voltage (Sea Level)	Test Voltage 50,000 Ft.	Test Voltage 70,000 Ft.	Test Voltage 110,000 Ft.
	AC (RMS)	DC				
M	400	550	1300 VRMS	550 VRMS	350 VRMS	200 VRMS
I	600	850	1800 VRMS	600 VRMS	400 VRMS	200 VRMS
II	900	1250	2300 VRMS	800 VRMS	500 VRMS	200 VRMS

*Please note that the establishment of electrical safety factors is left entirely in the designer's hands, since he is in the best position to know what peak voltage, switching surges, transients, etc., can be expected in a particular circuit.

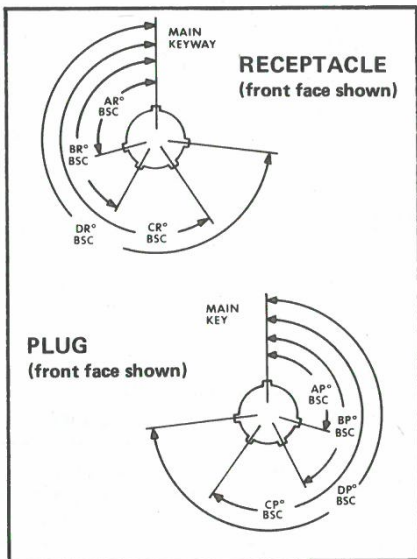
TRI-START

insert availability and identification; alternate positions

MIL-C-38999 SERIES III (Tri-Start)
Main key/keyway polarization

Shell Size	Key & keyway arrangement identification letter	AR ^o or AP ^o BSC	BR ^o or BP ^o BSC	CR ^o or CP ^o BSC	DR ^o or DP ^o BSC
9	N	105	140	215	265
	A	102	132	248	320
	B	80	118	230	312
	C	35	140	205	275
	D	64	155	234	304
11, 13, and 15	E	91	131	197	240
	N	95	141	208	236
	A	113	156	182	292
	B	90	145	195	252
	C	53	156	220	255
17 and 19	D	119	146	176	298
	E	51	141	184	242
	N	80	142	196	293
	A	135	170	200	310
	B	49	169	200	244
21, 23, and 25	C	66	140	200	257
	D	62	145	180	280
	E	79	153	197	272
	N	80	142	196	293
	A	135	170	200	310
	B	49	169	200	244
	C	66	140	200	257
	D	62	145	180	280
	E	79	153	197	272

NOTES: 1. All angles are BSC
2. The insert arrangement does not rotate with main key/keyway.



Tri-Start	Crimp*	Hermetics** Class Y	Service Rating	Total Contacts	Contact Size				
					22D	20	16	12	8 (coax)
9-35	X	P	M	6	6				
9-98	X	P	I	3		3			
11-35	X		M	13	13				
11-98	X	P	i	6		6			
13-8	X	P	I	8		8			
13-35	X	P	M	22	22				
13-98	X	P	I	10		10			
15-5	X	P	II	5			5		
15-15	X	P	I	15		14	1		
15-18	X	●	I	18		18			
15-19	X		I	19		19			
15-35	X	●	M	37	37				
15-97	X	●	I	12		8	4		
17-6	X		I	6				6	
17-8	X	P	II	8			8		
17-26	X	●	I	26		26			
17-35	X		M	55	55				
17-99	X		I	23		21	2		
19-11	X	P	II	11			11		
19-32	X	●	I	32		32			
19-35	X	●	M	66	66				
21-11	X		I	11				11	
21-16	X	●	II	16			16		
21-35	X		M	79	79				
21-39	X		I	39		37	2		
21-41	X	●	I	41		41			
21-75	●		M	4					4†
23-21	X	●	II	21			21		
23-35	X		M	100	100				
23-53	X	●	I	53		53			
25-4	X		I	56		48	8		
25-19	X		I	19				19	
25-24	X	●	I	24			12	12	
25-29	X		I	29			29		
25-35	X		M	128	128				
25-43	X		I	43		23	20		
25-46	X		I	46		40	4		2†
25-61	X	P	I	61		61			

X Completely tooled.

● Majority of tooling is completed (check home office for availability).

P Pin inserts only (check home office for socket availability).

*Size 16, 12, and 8 Coaxial Contacts available. See Bendix Electrical Components Division Coaxial Contact Catalog 12-130.

**Optional solder or eyelet termination, hermetic inserts only.

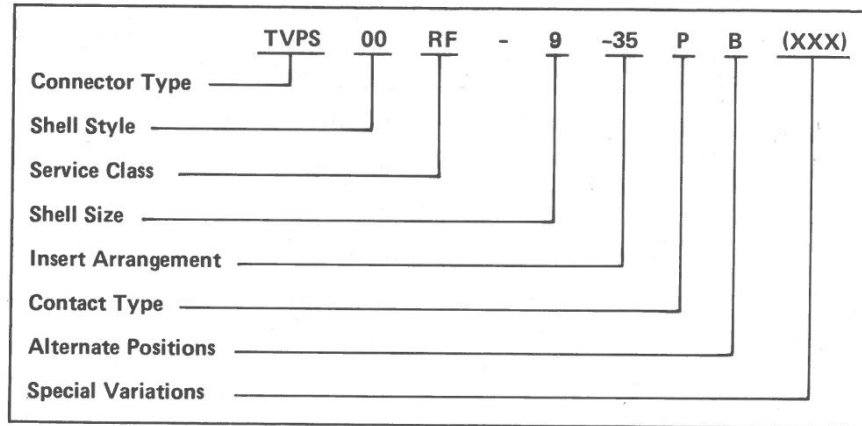
†For RG180/U and RG195/U cables only (Check home office for other cable applications)

TRI-START

how to order

Proprietary Part Number

Bendix Tri-Start Connectors can be ordered by coded part number. Ordering procedure is illustrated by part number TVPS00RF-9-35PB (XXX) as shown below:



Connector Type

- TV designates Tri-Start series connector
- VP designates back panel mounted receptacle
- VS designates 200°C rating
- VPS designates back panel mounted, 200°C rated receptacle

Shell Style

- 0 designates wall mount receptacle
- 2 designates box mount receptacle
- 6 designates straight plug
- 7 designates jam nut receptacle
- designates solder mount receptacle, hermetic only

Service Class

- X nonconductive-anodic coated aluminum, 500 hour salt spray, 200°C (requires special variation suffix 005)
- F electroless nickel plated aluminum, optimum EMI shielding effectiveness -65db @ 10GHz specification min., 48 hour salt spray, 200°C
- K corrosion resistant stainless steel, firewall capability, plus 500 hour salt spray resistance, EMI -45 db @ 10 GHz specification min., 200°C
- W corrosion resistant olive drab cadmium plate aluminum, 500 hour extended salt spray, EMI -50db @ 10GHz specification min., 175°C

- Y hermetic seal, passivated stainless steel, 200°C
- RN (non-hermetic connectors), nickel plated stainless steel, optimum EMI shielding effectiveness -65 db @ 10 GHz specification min., 48 hour salt spray, 200°C
- YN (hermetic connectors), nickel plated stainless steel, 200°C

Shell Size

MIL-C-38999, Size 9 - 25

A	B	C	D	E	F	G	H	J	MIL Shell Size
9	11	13	15	17	19	21	23	25	Bendix Shell Size

Insert Arrangement

MIL-C-38999, see insert arrangement chart, page 17

Contact Type

- P designates pin contacts
- S designates socket contacts

Alternate Positions

Locksmith keying - rotation of minor keys. See page 17

Special Variations

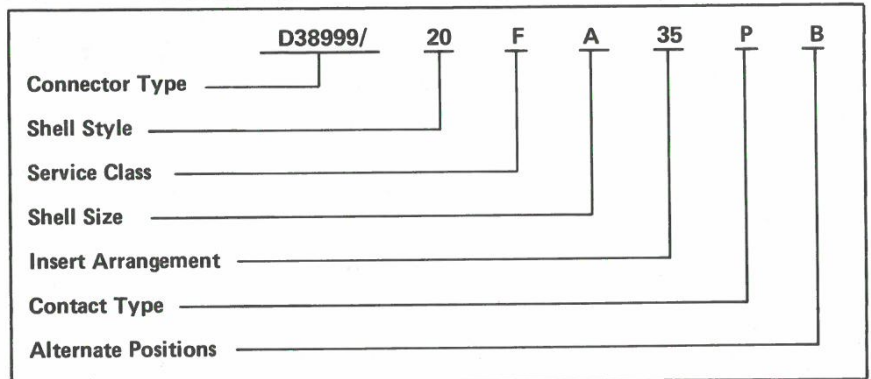
- (100) eyelet termination (hermetic)
- (005) anodic coating

TRI-START

how to order

Military Part Number

To more easily illustrate ordering procedure by military designation, part number D38999/20FA35PB is shown as follows:



Connector Type

D38999/ designates MIL-C-38999 Series III Connector

Shell Style

- 20 designates wall mount receptacle
- 21 designates box mount receptacle, hermetic
- 23 jam nut receptacle, hermetic
- 24 jam nut receptacle
- 25 solder mount receptacle, hermetic
- 26 straight plug
- 27 weld mount receptacle, hermetic

Service Class

- C nonconductive-anodic coated aluminum, 500 hours salt spray, 200°C
- F electroless nickel plated aluminum, optimum EMI shielding effectiveness-65db @ 10GHz specification min., 48 hour salt spray, 200°C
- K corrosion resistant stainless steel, firewall capability, plus 500 hour salt spray resistance, EMI -45 db @ 10GHz specification min., 200°C
- W corrosion resistant olive drab cadmium plate aluminum, 500 hour extended salt spray, EMI -50 db @ 10GHz specification min., 175°C
- Y hermetic seal, passivated stainless steel, 200°C

N (non-hermetic connectors), nickel plated stainless steel, optimum EMI shielding effectiveness -65db @ 10 GHz specification min., 48 hour salt spray, 200°C

N (hermetic connectors), nickel plated stainless steel, 200°C

Shell Size

MIL-C-38999, sizes 9 - 25

A	B	C	D	E	F	G	H	J	MIL Shell Size
9	11	13	15	17	19	21	23	25	Bendix Shell Size

Insert Arrangement

MIL-C-38999, see insert arrangement chart, page 17

Contact Type

- P designates pin contacts
- S designates socket contacts

Alternate Positions

Locksmith keying - rotation of minor keys. See page 17 (Use N for normal)

Bendix Federal Vendor Identification/FSCM 77820

SJT

- 100% Scoop Proof - basic LJT lengths
- Bayonet coupling
- 5 key/keyway polarization with 4 alternate clockings
- Rear release crimp contacts
- PCB, wire wrap and coax contacts available
- High density insert patterns
- Shell grounding fingers are an option on the plug
- Options include Hermetics, Filters, and Thermocouples

how to order

PART NUMBER

To more easily illustrate ordering procedure, part number SJT00RT-18-66PA() is shown as follows:

PART NUMBER								
<u>SJT</u>	<u>00</u>	<u>RT</u>	<u>18</u>	<u>-</u>	<u>66</u>	<u>P</u>	<u>A</u>	<u>()</u>
1	2	3	4		5	6	7	8

See code below:

1. Connector Type:
SJT designates standard scoop proof Junior Tri-Lock Connector
SJTS designates high temperature connector
SJTG designates plug with grounding fingers
SJTP designates back panel mounted.
2. Shell Style:
00 designates wall mount receptacle
06 designates straight plug
07 designates jam nut receptacle
I designates solder mount receptacle—hermetic
3. Service Class:
“Y” for hermetic applications . . . fused compression glass sealed inserts. Leakage rate less than .01 micron cu. ft./hr. (1×10^{-7} cc/sec.) at 15 psi differential, with interfacial seal.
“RT” for environmental applications—supplied without rear accessories. Design provides serrations on rear threads of shells.
For additional information defining complete description of service class, consult factory.
4. SJT shell sizes available from 8 through 24
5. -66 designates insert arrangement.
6. P designates pin contacts. S for socket contacts.
7. A designates a rotated connector assembly. Other basic rotations are B, C and D. No letter required for normal (no rotation) position
8. Finish variation suffix.

SECTION V

CROSS REFERENCE BY MIL-SPEC TO COMPETITOR'S PART NUMBER

MIL-C-5015 (SOLDER TYPE)

Typical Part No. - MS310X

	Bendix	Amphenol	Cannon
Class	A, C, E, F, R	A, C, E, F, B, R	A, C, E, F, B, K, R
Proprietary Part No. (A.N. - M.S.)	GP, SC, SF CS, SG, SB SM	97-, 69-	CA
Shell Style:			
MS3100	X	X	X
MS3101	X	X	X
MS3102	X	X	X
MS3103	X	X	X
MS3106	X	X	X
MS3107	DNS	X	X
MS3108	X	X	X

Bendix Proprietary Interates: 10-214XXX,

10-244XXX (Crimp Types - Front Removal)

Bendix Proprietary Non-Interates: (5015 Type)

QWL, QWLD

See also MIL-C-22992

See catalog for BT - High Temperature

MIL-C-5015 (CRIMP - FRONT RELEASE)

Typical Part No. - MS340X

Bendix	Matrix	S.A.E.	Flight
DNS	(Limited)	MOXD, MIXD	FC

MIL-C-5015 (CRIMP - REAR RELEASE)

Typical Part No. - MS345X

Bendix	Cannon	Matrix	S.A.E.
* DNS	CV345X	944X, 9816	M5X

MIL-C-83723 SERIES II (CRIMP-REAR RELEASE)

Typical Part No. - M83723

Bendix	Cannon	Matrix
DNS	CVA	M7230X

MIL-C-22992

Typical Part No. - MS1734X

Bendix	
10-194XXX	No other Suppliers in United States to MIL

MIL-C-22992 CLASS L (POWER CONNECTOR)

Typical Part No. - MS9055X

Bendix	Amphenol	Matrix	Burndy
10-473XXX	229-	MHDOX	B55XC

MIL-C-26482 (SOLDER TYPE) SERIES I

Typical Part No. - MS311X

	Bendix	Burndy	Cannon	Veam
Type	PT	BT	KPT	VPT
Shell Style:				
MS3110	X	X	X	X
MS3111	X	X	X	X
MS3112	X	X	X	X
MS3113	X	X	X	X
MS3116	X	X	X	X
MS3114	X	X	X	X

MIL-C-26482 (CRIMP-FRONT RELEASE) SERIES I

Typical Part No. - MS312X

	Bendix	Burndy	Cannon	Veam
Type	PT-SE	LTE, LTF	KP-SE	VPTXXSE
Shell Style:				
MS3120	X	X	X	X
MS3121	X			
MS3122	X	X	X	X
MS3126	X	X	X	X
MS3124	X	X	X	X
MS3127		X		
MS3128		X		

Bendix Proprietary Interates: DC, SP, BP, Also PT - CE

MIL-C-26482 (CRIMP REAR RELEASE) SERIES II

Typical Part No. - MS347X

Bendix	Cannon	Amphenol	Deutsch	Matrix
PTS	PV	118-	AF	MB

MIL-C-81511 (CRIMP-REAR RELEASE) SERIES I & II

Typical Part No. - M81511/0X

Bendix	Amphenol	Cinch
DNS	348-	348-

MIL-C-81511 (CRIMP-REAR RELEASE) SERIES III & IV

Typical Part No. - M81511/4X

Bendix	Deutsch
DNS	B815

NAS 1599 (CRIMP-REAR RELEASE)

Typical Part No. - NAS 16XX

Bendix	Cannon	Deutsch	Pyle National
DNS	KV, PV	380XX	ET, EP

*Do Not Supply (DNS)

- INTERMATING CHART -

MIL Series	All 5015	All* 26482	All 26500	Series I 38999	Series II 38999	Series III 38999	Series I 27599	Series II 27599	Series I 83723	Series II 82723	Series III 83723	Series I & II 81511	Series III & IV 81511	Bayonet NAS 1599	Thread NAS 1599
All 5015	X									X					
All *26482		X							X						
All 26500			X								X				
Series I 38999				X			X								
Series II 38999					X										
Series III 38999						X									
Series I 27599				X			X								
Series II 27599					X			X							
Series I 83723		X							X						
Series II 83723	X									X					
Series III 83723			X												
Series I & II 81511												X	X		
Series III & IV 81511												X	X		
Bayonet NAS 1599														X	
Threaded NAS 1599															X

*Except Push Pull Coupling

CROSS REFERENCE BY MIL-SPEC TO COMPETITORS' PART NO.

MIL-C-38999 (CRIMP REAR RELEASE) SERIES I, II, III, AND IV

Series	Bendix	Cannon	Amphenol	Matrix	G & H	Pyle-National	Plessey
I	LJT-R	KJL	418-1X	MB91X	DNS	DNS	DNS
II	JT-R	KJ	418-2X	MB92X	DNS	DNS	CT-R
III	TV-R	DNS	DNS	*MT93X	DNS	*T3K-XX	DNS
IV	DNS	DNS	DNS	DNS	BLXX	DNS	DNS

* Stainless Steel Only

MIL-SPEC CROSS REFERENCE DATA
AND GENERAL INFORMATION

MIL SPEC	Description	Bendix Proprietary Mates	Contact Termination & Removal	Contact Sizes in Series (Wire Gauge)	Coupling Method	Other Notes
MIL-C-5015	Power type connectors large contacts. Older series had solder contacts, newer crimp contacts	CS, SM TBF 10-72XXX GP, SC, SF, SG, SB, FP 10-214XXX 10-244XXX 10-87XXX etc.	Solder or Crimp front or rear removal	16 thru 0	threaded	310X solder 340X crimp F.R. 345X crimp R.R.
MIL-C-26482 *Series I crimp	Miniature connector - medium size contacts - both power and signal currents solder or crimp contacts	PT, PT-SE, PT-CE, PTS-DR, BP, SP, DC	solder or crimp front or rear removal	20, 16, 12	bayonet threaded version Non-MIL	311X solder 312X crimp F.R. 347X crimp R.R.
MIL-C-22992	Power type connector - heavy duty - MIL-C-5015 insert patterns rugged. Solder or crimp contacts for Class "L" (either for Non-MIL)	QWLD 10-193XXX Class "L" 10-473XXX HK - potted backshell	solder MS1734X crimp for Class "L"	16 thru 0	threaded (quick thread) double stub	Class "L" Series is for heavy power MS 9055X Class "L"
MIL-C-83723 *Series I & II	Series I mates with MIL-C-26482 Series II mates with MIL-C-5015 Series III mates with MIL-C-26500	as above for applicable series	crimp rear removal	20, 16, 12, 8, 0	threaded & bayonet depends on series	83723/1 thru 14 36 thru 49 Series I, 17 thru 27 - 29 -30 -33 -34 -35 -50 -52 -53 Series II, 7X -8X -9X Series III
MIL-C-38999	Subminiature - hi-contact density Crimp contact Series I scoop-proof Series II light weight, low profile Series III - hi-performance, but suitable for general duty Series IV Breach-Lok	Series I LJ-T-R Also see MIL-C-27599 Series II JT-R also see MIL-C-27599 Series III TV-R None	crimp rear removal crimp rear removal crimp rear release	22D, 20, 16, 12 (8, 12, 16 Coax) 22D, 20, 16, 12 (12, 16 Coax) 22D, 20, 16, 12 (8, 12, 16 Coax) 22D, 20, 16, 12 (8, 12, 16 Coax)	bayonet bayonet threaded breach-lok	Intermates with I of MIL-C-27599 Intermates with II of MIL-C-27599 Available in class K firewall and lanyard release Does not meet total performance requirements of Series III
MIL-C-26500*	Miniature connector - medium size contacts - both power & signal currents - solder and crimp contacts	None	crimp front removal	20, 16, 12	bayonet	Intermates with Series III of MIL-C-83723
MIL-C-81511*	Subminiature - hi-contact density - crimp contacts, Series I & II front release, Series III & IV rear release	None	crimp front (gang) & rear removal	22, 20, 16, 12	bayonet	M81511/OX F.R. M81511/4X R.R.
MIL-C-27599	Subminiature similar to MIL-C-38999 except has non-removable solder - contacts, fully mateable with MIL-C-38999	LJT-T, P - Series I LJT-A,C,P - Series II	solder	22, 20, 16	bayonet	intermates with Series I & II of MIL-C-38999

* Denotes Inactive

SECTION VI

QUALIFIED PRODUCTS LIST BY CONNECTOR SPECIFICATION

*A General Note: Connector manufacturers also supply many of the accessories.

QUALIFIED PRODUCT LIST	MANUFACTURER
QPL-5015-26 Solder Type (MS 3100 Series) Front Release Crimp (MS 3400 Series) Rear Release Crimp (MS 3450 Series) *Accessories Only	Amphenol, Bendix, I.T.T. Cannon Flight, Matrix, SAE I.T.T. Cannon, Matrix, SAE Glenair, Sunbank, Electro-Adapter, Electro-Sonic Components, Raychem, Triangle Electronics
QPL-26482-15 Series I — Solder (MS 3110 Series) Hermetics Only Series I — Crimp (MS 3120 Series) Series II - Solder (MS 3440 Series) Series II - Crimp (MS 3470 Series) *Accessories Only	Bendix, Burndy, I.T.T. Cannon, Veam, General Connector Glasseal Products, Deutsch, Sealtron Bendix, Burndy, Deutsch, I.T.T. Cannon, Veam, General Connector Connector Industries, Deutsch Amphenol, Bendix, I.T.T. Cannon, Deutsch, Matrix Sunbank, Electro-Sonic Components, Glenair
QPL-83723-7 Series I Series II Series III Hermetics Only *Accessories Only	Superseded by and transferred to MIL-C-26482 Series II Matrix, I.T.T. Cannon Matrix, Amphenol, TRW Cinch, Deutsch, Pyle-National Connector Industries Glenair, Sunbank, Raychem

NOTE:

QPL listings change often. Manufacturers can be added or dropped at any time. This listing is currently correct, but will definitely change with time. Please check the current QPL when accurate information is required.

QUALIFIED PRODUCT LIST	MANUFACTURERS
QPL-38999-29 Series I Series II Hermetics Only Series III Series IV *Accessories Only	Amphenol, Bendix, I.T.T. Cannon, Matrix Amphenol, Bendix, I.T.T., Cannon, Plessey, Matrix Hermetic Seal Bendix, Matrix, Pyle-National G & H Technology Glenair, Sunbank, Aero-Electric
QPL-22992-17 MS 17340 Series (QWLD) Class "L" (MS 90555 Series)	Bendix Bendix, Amphenol, Burndy
QPL-27599-4	Bendix
QPL-26500-17 *Accessories Only	Amphenol, Pyle-National, TRW Cinch Glenair
QPL-81511	Amphenol, TRW Cinch, Deutsch
QPL-38300	Amphenol, Microdot, TRW Cinch
QPL-81582	TRW Cinch
QPL-81703	Deutsch
QPL-39029-9 (Contacts) MIL-C-26482 Series I MIL-C-26482 II MIL-C-38999 MIL-C-22999 Class "L" Others	Amphenol, Bendix, Burndy, Deutsch, General Connector, I.T.T. Cannon, Pyle-National, Tri-Star, TRW Cinch, Veam Amphenol, Bendix, Burndy, Deutsch, I.T.T. Cannon, Matrix, Pyle National, Tri-Star, TRW Cinch Amphenol, Bendix, Burndy, G & H Technology, I.T.T. Cannon, Tri-Star, AMP, Matrix Amphenol, Bendix, Burndy, May include all of the above, plus Continental Connector, Flight, Hughes, Raychem, SAE, Viking, Winchester

**CURRENT QPL
SUPPLIER ADDRESSES**

AMP, Inc.
P. O. Box 3608
Harrisburg, Pennsylvania 17105

Amphenol Connector Division
The Bunker-Ramo Corporation
2801 South 25th Avenue
Broadview, Illinois 60153

The Bendix Corporation
Electrical Components Division
Sidney, New York 13838

Burndy Corporation
Richards Avenue
Norwalk, Connecticut 06852

I.T.T. - Cannon Electric
Division of I.T.T. Corporation
10550 Talbert Ave.
Fountain Valley, California 92708

TRW Cinch NuLine
1015 South Sixth Street
Minneapolis, Minnesota 55415

Deutsch Company
Electronics Components Division
Municipal Airport
Banning, California 92220

General Connector Corporation
80 Bridge Street
Newton, Massachusetts 02158

Glasseal Products Company, Inc.
725 Commerce Road
Linden, New Jersey 07036

Glenair, Inc.
1211 Air Way
Glendale, California 91201

G & H Technology
1649 17th Street
Santa Monica, California 90404

Matrix Science Corporation
435 Maple Avenue
Torrance, California 90503

The Pyle National Company
Connector Division
1334 North Kostner Avenue
Chicago, Illinois 60651

Stanford Applied Engineering, Inc.
3080 Airway Drive
Costa Mesa, CA 92626

Flight Connector Corporation
14128 Lemoli Avenue
Hawthorne, California 90250

MILITARY SPECIFICATION SUMMARY

MIL-C-3655C 11 April 1980
Supplement 1 11 April 1980
No QPL

This specification covers a series of RF connectors (TWINAX) used with RF incorporating a twisted pair of conductors.

MIL-C-5051G 23 March 1976
Supplement 1 23 March 1976
Amendment 4 9 May 1980
QPL-5015-26 30 May 1979
Amendment 1 31 October 1979

This specification and associated Military Standards were recently revised to include crimp contacts, both front and rear release. The insert arrangements are now listed in MIL-STD-1651 dated 27 June 1975 and cover the popular old AND arrangements. Several inactive arrangements have been re-established in the listing. The specification provides for Classes A, B, C, D, E, F, H, J, K, L, P, R, U, W and Y. We presently supply Classes A, C, E, F, P and R, solder only.

MIL-C-22992E 28 August 1974
Amendment 2 7 February 1980
QPL-22992-17 19 October 1979

This specification covers our QWLD heavy-duty series connectors in Classes C and R and our new Class L power connector. Classes C and R incorporate the same insert patterns (See MIL-STD-1651) as supplied under MIL-C-5015. The two series are not, however, intermateable. The Class L connector is used in power distribution circuits.

MIL-C-24308A 22 September 1969
Amendment 6 30 April 1980
QPL-24308-28 11 May 1981

This specification covers a miniature rectangular connector with either solder or crimp contacts.

MIL-C-26482G 5 September 1975
Supplement 1 5 September 1975
Amendment 3 11 October 1978
QPL-26482-15 1 August 1979
Amendment 1 3 July 1980

The coordinated version (Rev. E) of this specification covered the original miniature quick disconnect series of connectors consisting of: a) Bayonet lock coupling ring with either solder or crimp front release contacts and b) Push-Pull coupling ring with either solder or crimp front release contacts.

MIL-C-26482G is a complete update of this specification. It incorporates the Series I having solder and crimp front release contacts. Crimp rear release contacts Series II have been added. (NOTE: THE PUSH-PULL SERIES (DEUTSCH) HAS BEEN DELETED FROM THIS SPECIFICATION AND PLACED UNDER ITS OWN SPEC NUMBER MIL-C-81703 (NAVY)).

MIL-C-26500E (USAF) 12 March 1973
Amendment 3 25 June 1981
QPL-26500-18 13 April 1976

This specification features a 200°C requirement and has provisions for threaded and bayonet lock coupling rings. Only crimp front release contacts are used and these are covered in contact specification MIL-C-26636. Five classes of connectors are listed, i.e. Classes R, H, E, F and G.

MIL-C-26500 is now inactive for design. USAF/AFLC-MMGEP letter t Distribution dated 26 January 1976 points out potential safety hazard if used.

MIL-C-27599 (USAF) 10 January 1966
Amendment 5 20 October 1971
QPL-27599-4 21 January 1976

This specification represents an advancement in the state of the art and covers only the solder contact connectors. It is a companion specification to MIL-C-38999 and like series in each spec are interchangeable and intermateable. Two series are included. Series I covers our heavy-duty fully scoop-proof LJT connectors. Series II covers our miniature pancake JT connectors. This specification is now being revised and one of the major up-date features is the removal of the "degrading samples". The QC format will be similar to MIL-C-38999. Classes T and P are available in the spec.

MIL-C-38999H 27 February 1981
QPL-38999-29 30 September 1981

The newest and most popular of all circular connector specifications contains four series. Series I is a general duty, scoop-proof, bayonet coupling connector having rear release crimp contacts. Series II is a lightweight, low profile, bayonet coupling connector having rear release crimp type contacts. Series III is a scoop-proof, self-locking, threaded coupling connector with rear release crimp contacts designed for improved vibration resistance, moisture sealing and EMI shielding effectiveness. Series IV is a scoop-proof, Breech-Lok coupling connector with rear release crimp contacts. This specification has been selected as the DOD preferred connector for new design. See MIL-STD-1353 for applications.

MIL-C-39012B 9 April 1970
Amendment 2 14 October 1976
Supplement 1B 1 November 1979
QPL-39012-42 16 October 1981

This specification covers general requirements for radio-frequency (RF) connectors in Classes 1 & 2 and Categories A, B, C, and D. Bendix is qualified for over 125 part numbers.

MIL-C-39029B 21 December 1977
Amendment 2 16 February 1980
QPL-39029-9 18 August 1980
Amendment 1 14 November 1980

This is a general specification covering contacts only. It is intended to become the only contact spec. Each contact, standard, shielded, PCB, wire wrap and thermocouple, is covered by its own slash sheet which details specific requirements.

MIL-C-55302C 15 January 1980
QPL-55302-23 14 May 1980

This specification covers printed circuit board connectors, subassemblies, and accessories.

MIL-C-49142 17 April 1978
Supplement 1 17 April 1978
No QPL

This specification covers Triaxial connectors. Bendix is currently in the process of qualifying.

MIL-C-55339 1 July 1971
Amendment 4 28 February 1979
QPL-55339-10 11 June 1980

Bendix qualified to M55339/17-00274 only. This specification covers several adapters which join RF connectors having different sizes and characteristics.

MIL-C-81511 Inactive for New Design

This specification covers four series of connectors incorporating dielectric retention for the contacts in both a gang release or individual release system. Series I, gang release, with long shells is intermateable with Series III having individual contact release also with long shells. Series II, gang release, with lightweight short shells is intermateable with Series IV having individual contact release also with lightweight short shells.

MIL-C-83723D 27 December 1977
Supplement 1 27 December 1977
QPL-83723-7 30 November 1979

This specification evolved from NAS 1599 and carries forward the hard face socket insert, rear release contact concept. It covers three series. Series I has been made inactive and superseded by Series II of MIL-C-26482. Series II has been made inactive and superseded by the rear release version of MIL-C-5015. Series III is intermateable but not interchangeable with MIL-C-26500 connectors having either bayonet lock or threaded coupling rings. All three series are rated at 200°C.

MIL-C-83733B (USAF) 10 December 1980
Supplement 1 10 December 1980
QPL-83733-1 (USAF) 31 January 1975

This specification covers a series of rear release rectangular connectors.

MIL-C-85049 16 January 1980
QPL No QPL'd suppliers at this time

This specification covers accessories for cylindrical connectors. It is intended to delete the accessories from the various connector specifications and consolidate them in this document.

MIL-C-81969 11 January 1979
Supplement 1 11 January 1979
QPL No QPL'd suppliers at this time

This specification covers connector insertion/removal tools and is intended to replace all other tool specifications.

SECTION VII

WHAT DO YOU NEED TO SELL?

√ A BASIC PRODUCT KNOWLEDGE

- Nomenclature (component parts)
- Typical terms or descriptive words
- Pertinent references to MIL-SPEC
- Cross reference Bendix P/N to MIL P/N

√ A CATALOG

- Know how it is organized
- Keep it current
- Add your own notes for reference

√ KNOW YOUR ORGANIZATION AND OURS

- Who has pricing & delivery data
- Who has technical data
- Who can expedite
- Who can negotiate
- A back up for each of the above

√ KNOW YOURSELF AND YOUR COMPETITORS

- What is negotiable at your account
- What are your strong points
- What are your weak points
- What are your protection points
- Who is your competition

√ KNOW YOUR CUSTOMERS

WHAT ARE THEIR NEEDS?

- Company Needs - Personal Needs

LEARN TO LISTEN (AND TO SEE)

- What are they saying?
- What do they mean?
 - how they say it may mean more than what they say
 - what you both see may say more than conversation

EACH ACCOUNT IS UNIQUE

- Don't use a carbon copy approach
- Let your customers know you see them **that way**

TAKE TIME TO KNOW THE PEOPLE YOU DEAL WITH

- Both at your account and your own facility
- Manage your time and territory like assets
- If business or potential isn't there, maybe you shouldn't be

CONCLUSION

The data in this booklet was designed to provide you with the basic information needed to know the product. In order to effectively sell, it is important to remember that knowing your customer and your product go hand in hand. The sale begins with you!

We have a great line, you can sell on the quality that it is. Don't promise more than you can deliver, simply tell it like it is. You may lose some sales, but your credibility will grow.

**AMPHENOL PRODUCTS
HEADQUARTERS**
312-983-3500
4300 Commerce Court
Lisle, IL 60532

Bendix Connector Operations
607-563-5324
40-60 Delaware Street
Sidney, New York 13838-1395

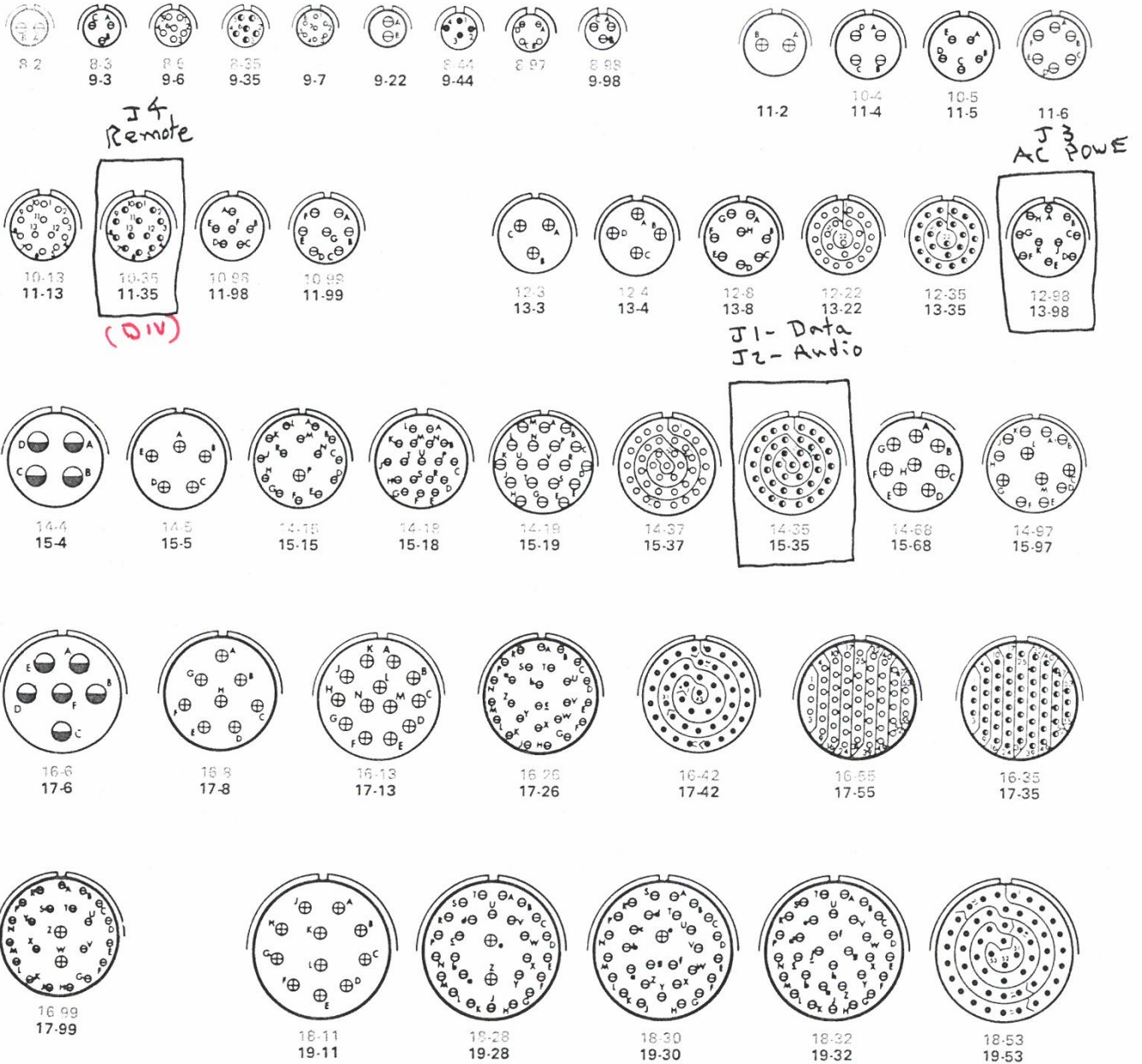
HAL COMMUNICATIONS CORP.
 ST-8000A MS CONNECTORS
 DECEMBER 11, 1990

MSCON1.WW1

ST-8000A CONNECTOR	J1	J2	J3	J4	J5
USAF SPECIFICATION:			(Adapter)		
Use	Data I/O	Audio I/O	AC Power	Remote Control	Diversity (Optional)
Specified P/N	MS27508E14F35SB	MS27508E14F35SA	MS27472E12F98P	MS27508E10F35P	MS27508E10F35S
Connector Type	BOX MTG PLUG - Int	BOX MTG PLUG - Int	WALL MTG RECPT	BOX MTG PLUG - Int	BOX MTG PLUG - Int
Cable Clamp	N/R	N/R	MS27506F12-2	N/R	N/R
No. of Pins	37 (Socket)	37 (Socket)	10 (Pin)	13 (Pin)	13 (Socket)
Contact Size	No. 22D	No. 22D	No. 20	No. 22D	No. 22D
Current Rating	5 Amps	5 Amps	7.5 Amps	5 Amps	5 Amps
Service Rating	"M"	"M"	"1"	"M"	"M"
Test Voltage	1300 VRMS	1300 VRMS	1000 VRMS	1300 VRMS	1300 VRMS
Plating	Electroless Nickel	Electroless Nickel	Electroless Nickel	Electroless Nickel	Electroless Nickel
MATING CONNECTOR:					
Mating Cable Conn	MS27473E14F35PB	MS27473E14F35PA	MS27473E12F98S	MS27473E10F35S	MS27473E12F98P
Cable Clamp	MS27506F14-2	MS27506F14-2	MS27506F12-2	MS27506F10-2	MS27506F10-2
JT06RE (Incl Clamp)	JT06RE-14-35PB(SR)	JT06RE-14-35PA(SR)	JT06RE-12-98S(SR)	JT06RE-10-35S(SR)	JT06RE-10-35P(SR)
No. of Pins	37 (Socket)	37 (Socket)	10 (Pin)	13 (Pin)	13 (Socket)
Contact Size	No. 22D	No. 22D	No. 20	No. 22D	No. 22D
CRIMP TOOLING					
Crimp Tool	MS3198-1	MS3198-1	MS3198-1	MS3198-1	MS3198-1
Die (Socket)	MS3198-6P	MS3198-6P	MS3198-9P	MS3198-6P	MS3198-6P
Die (Pin)	MS3198-8P	MS3198-8P	MS3198-9P	MS3198-8P	MS3198-8P
MIL SPEC	MIL-C-38999	MIL-C-38999	MIL-C-38999	MIL-C-38999	MIL-C-38999
	Series II	Series II	Series II	Series II	Series II
QPL Sources	Amphenol, Bendix,	Amphenol, Bendix,	Amphenol, Bendix,	Amphenol, Bendix,	Amphenol, Bendix,
QPL-38999-29	ITT, Cannon,	ITT, Cannon,	ITT, Cannon,	ITT, Cannon,	ITT, Cannon,
	Plessey, Matrix	Plessey, Matrix	Plessey, Matrix	Plessey, Matrix	Plessey, Matrix

JT/LJT insert arrangements

black arrangements — JT or LJT
green arrangements — JT only
orange arrangements — LJT only



front face of pin inserts illustrated

CONTACT LEGEND 8 12 16 20 22 22M 22D

JT/LJT

insert availability
and identification;
alternate positions

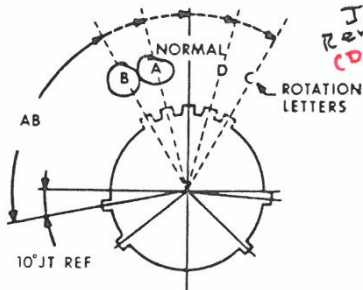
J1 (Data)
J2 (Audio)

JT MASTER KEY/KEYWAY ROTATION

Shell Size	AB ANGLE OF ROTATION (Degrees)				
	Normal	A	B	C	D
8	100°	82°	—	—	118°
10	100°	86°	72°	128°	114°
12	100°	80°	68°	132°	120°
14	100°	79°	66°	134°	121°
16	100°	82°	70°	130°	118°
18	100°	82°	70°	130°	118°
20	100°	82°	70°	130°	118°
22	100°	85°	74°	126°	115°
24	100°	85°	74°	126°	115°

A plug with a given rotation letter will mate with a receptacle with the same rotation letter. The AB angle for a given connector is the same whether it contains pins or sockets. Inserts are not rotated in conjunction with the master key/keyway.

AB angles shown are viewed from the front face of the connector, a receptacle is shown below. The angles for the plug are exactly the same except the direction of rotation is opposite of that shown for the receptacle.



RELATIVE POSSIBLE POSITION OF ROTATED MASTER KEYWAY. (front face of receptacle shown)

J3 AC PUR

JT	LJT	Solder	Crimp	Hermetics		Service Rating	Total Contacts	Contact Size							
				Class H	Class Y*			22D	22M	22	20	16	12	8†† (Coax)	
8-2		P				M	2				2				
8-3		X	N/A	P		M	3				3				
8-6		X	X	P	P	M	6		6						
	9-6	X	X	P	P	M	6		6						
	9-7	X				M	7		7						
	9-22	X				I	2				2				
8-35			X	P	P	M	6	6							
	9-35		X	P	P	M	6	6							
8-44			X	P	P	M	4			4					
	9-44		X			M	4			4					
8-97		X				M	4		2		2				
8-98		S	X	P	P	I	3				3				
	9-98	X	X	P	P	I	3				3				
	11-2		2	P**		I	2					2			
10-4			3			I	4				4				
	11-4	X	2			I	4				4				
10-5		X	X	P	P	I	5				5				
	11-5	X	P			I	5				5				
	11-6	S				I	6				6				
10-13		X	X	P	P	M	13		13						
	11-13	X	X	P	P	M	13		13						
10-35			X	P	P	M	13				13				
	11-35		X	P	P	M	13				13				
10-98		X	X	P	P	I	6				6				
	11-98	X	X	P	P	I	6				6				
10-99			X	P	P	I	7				7				
	11-99		P			I	7				7				
12-3		X	X	P	P	II	3					3			
	13-3		P			II	3					3			
12-4		X	X	P	P	I	4				4				
	13-4	X	X	P	P	I	4				4				
12-8		X	X	P	P	I	8				8				
	13-8	X	X	P	P	I	8				8				
12-22			X	P	P	M	22		22						
	13-22	X	X	P	P	M	22		22						
12-35			X	P	P	M	22	22							
	13-35		X	P	P	M	22	22							
12-98		X	X	P	P	I	10				10				
	13-98	X	X	P	P	I	10				10				
14-4			2			I	4						4		
	15-4		3			I	4						4		
14-5		X	X	P	P	II	5					5			
	15-5	X	X			II	5					5			
14-15		X	X	P	P	I	15				14	1			
	15-15	X	X	P	P	I	15				14	1			
14-18		X	X	P	P	I	18				18				
	15-18	X	X	P	P	I	18				18				
14-19			3			I	19						19		
	15-19		2			I	19						19		

(P) Pin inserts only (check factory for socket availability)
 (S) Socket inserts only (check factory for pin availability)
 (2) Not tooled for RP or O2RE.
 (3) Pin insert only, not tooled for RP or O2RE (check factory for availability)
 *Y is same as H with interfacial seal
 **Tooled with special terminal only (check factory for availability of standard terminal)
 ††Coax contacts only

JT/LJT

insert availability
and identification;
alternate positions (continued)

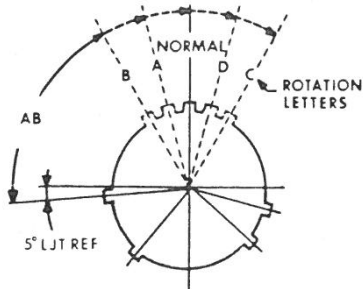
*J1, J2
Data, Audio*

LJT MASTER KEY/KEYWAY ROTATION

Shell Size	AB ANGLE OF ROTATION (Degrees)				
	Normal	A	B	C	D
9	95°	77°	—	—	113°
11	95°	81°	67°	123°	109°
13	95°	75°	63°	127°	115°
15	95°	74°	61°	129°	116°
17	95°	77°	65°	125°	113°
19	95°	77°	65°	125°	113°
21	95°	77°	65°	125°	113°
23	95°	80°	69°	121°	110°
25	95°	80°	69°	121°	110°

A plug with a given rotation letter will mate with a receptacle with the same rotation letter. The AB angle for a given connector is the same whether it contains pins or sockets. Inserts are not rotated in conjunction with the master key/keyway.

AB angles shown are viewed from the front face of the connector, a receptacle is shown below. The angles for the plug are exactly the same except the direction of rotation is opposite of that shown for the receptacle.

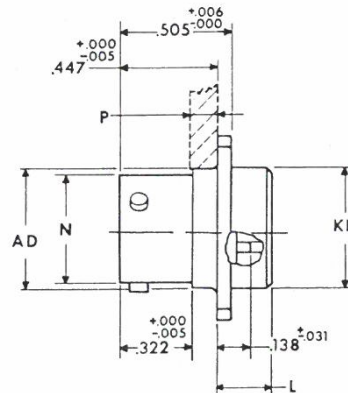
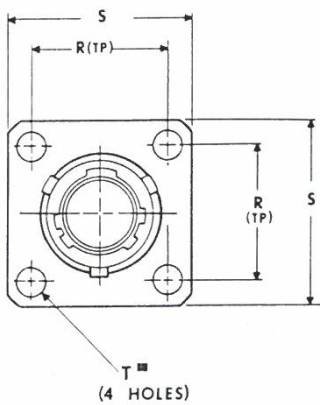


RELATIVE POSSIBLE POSITION OF ROTATED MASTER KEYWAY. (front face of receptacle shown)

JT	LJT	Solder	Crimp	Hermetics		Service Rating	Total Con-tacts	Contact Size						
				Class H	Class Y*			22D	22M	22	20	16	12	8†† (Coax)
14-35			X	P	P	M	37	37						
	15-35		X	P	P									
14-37		X	X	P	P	M	37		37					
	15-37	X	X	P	P									
14-68			2			I	8					8		
	15-68		3											
14-97			2	P	P	I	12				8	4		
	15-97	X	2	P	P									
16-6			X	P	P	I	6						6	
	17-6		X	P	P									
16-8		X	X	P	P	II	8					8		
	17-8	X	X	P	P									
16-13			2			I	13					13		
	17-13		3											
16-26		X	X	P	P	I	26				26			
	17-26	X	X	P	P									
16-35			X	P	P	M	55	55						
	17-35	X	X	P	P									
16-42			X	P	P	M	42			42				
	17-42		P											
16-55		X	X	P	P	M	55		55					
	17-55	X	X											
16-99		X	X	P	P	I	23				21	2		
	17-99	X	X											
18-11		X	X	P	P	II	11					11		
	19-11	X	X	P	P									
18-28		X	X	P	P	I	28				26	2		
	19-28	X	P											
18-30		X	X	P		I	30				29	1		
	19-30	X	P											
18-32		X	X	P	P	I	32				32			
	19-32	X	X	P	P									
18-35			X	P	P	M	66	66						
	19-35		X	P	P									
18-53		X	X			M	53			53				
	19-53		P											
18-66		X	X	P	P	M	66		66					
	19-66		X	P	P									
	19-67	X	3			M	67		67					
18-68			2			I	18					18		
	19-68		3											
18-96			2			I	9						9	
20-1			X	P	P	M	79		79					
	21-1		X											
20-2			X			M	65			65				
	21-2		P											
20-11			2			I	11						11	
	21-11		2											
20-16		X	X	P	P	II	16					16		
	21-16	X	X	P	P									
	21-24	X				I	24				24			
	21-25	X				I	25				25			

(P) Pin inserts only (check factory for socket availability)
 (S) Socket inserts only (check factory for pin availability)
 (2) Not tooled for RP or O2RE
 (3) Pin insert only, not tooled for RP or O2RE (check factory for availability)
 *Y is same as H with interfacial seal
 ††Coax contacts only

JT – Crimp JTP02R (MS27508) box mounting receptacle (back panel mounting)



- * JTP02RE-XX-XXX (MS27508E)
- ** JTPN02RE-XX-XXX
- *** JTP502RE-XX-XXX
- * JTP02RP-XX-XXX
- ** JTPN02RP-XX-XXX
- *** JTP502RP-XX-XXX

⊕ .005 DIA Ⓜ

- *To complete order number see page 52.
- **High temperature version, to complete order number see page 52.
- ***Clear iridite finish (gold color), N₂O₄ resistant, to complete order number see page 52.

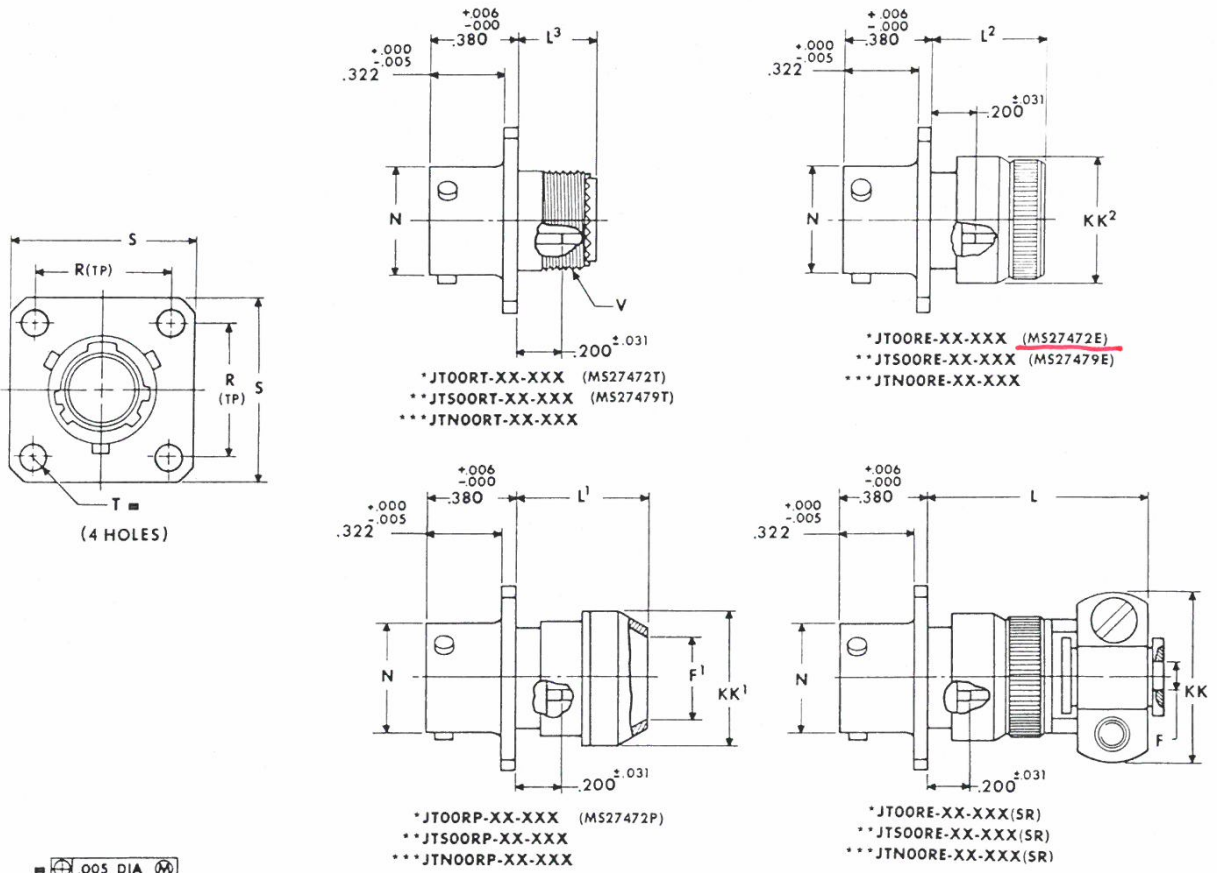
J4

J1, J2

Shell Size	N Dia. +.001 - .005	R (TP)	S ±.016	L Max.	AD Dia. ±.005	T Dia. ±.005	P Max. Panel Thickness	KK Max.
8	.473	.594	.812	.225	.516	.120	.147	.531
10	.590	.719	.938	.225	.633	.120	.152	.656
12	.750	.812	1.031	.225	.802	.120	.152	.828
14	.875	.906	1.125	.225	.927	.120	.152	.953
16	1.000	.969	1.219	.225	1.052	.120	.152	1.078
18	1.125	1.062	1.312	.225	1.177	.120	.152	1.203
20	1.250	1.156	1.438	.225	1.302	.120	.179	1.328
22	1.375	1.250	1.562	.225	1.427	.120	.179	1.453
24	1.500	1.375	1.688	.225	1.552	.147	.169	1.578

All dimensions for reference only

JT - Crimp JT00R (MS27472) wall mounting receptacle



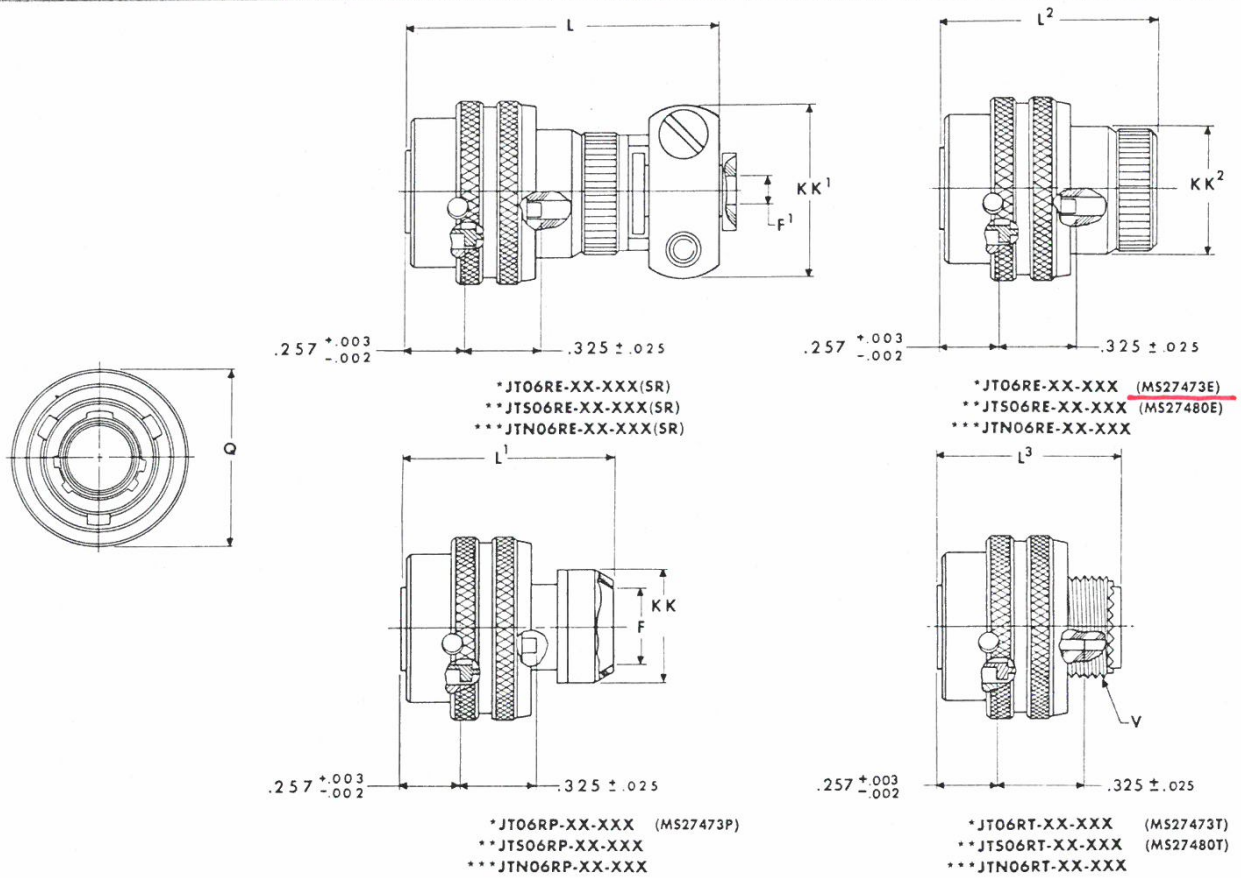
*To complete order number see page 52
 **High temperature version, to complete order number see page 52
 ***Clear iridite finish (gold color), N_2O_4 resistant, to complete order number see page 52

Shell Size	KK Max.	KK ¹ Dia. Max.	KK ² Dia. Max.	F Dia. +.010 - .025	F ¹ Dia.	L Max.	L ¹ Max.	L ² Max.	L ³ Max.	R (TP)	S ±.016	T ±.005	N +.001 - .005	V Thread Modified	
														Class 2A	Modified Major Dia.
8	.812	.625	.578	.125	.444	1.094	.609	.547	.500	.594	.812	.120	.473	.4375-28UNEF	.421- .417
10	.875	.750	.703	.188	.558	1.094	.609	.547	.500	.719	.938	.120	.590	.5625-24UNEF	.542- .538
12	1.000	.875	.828	.312	.683	1.094	.609	.547	.500	.812	1.031	.120	.750	.6875-24UNEF	.667- .663
14	1.125	1.000	.953	.375	.808	1.344	.609	.547	.500	.906	1.125	.120	.875	.8125-20UNEF	.791- .787
16	1.188	1.125	1.078	.500	.909	1.344	.609	.547	.500	.969	1.219	.120	1.000	.9375-20UNEF	.916- .912
18	1.438	1.250	1.203	.625	1.034	1.344	.609	.547	.500	1.062	1.312	.120	1.125	1.0625-18UNEF	1.034-1.030
20	1.438	1.375	1.328	.625	1.159	1.344	.609	.547	.500	1.156	1.438	.120	1.250	1.1875-18UNEF	1.158-1.154
22	1.625	1.500	1.453	.750	1.284	1.469	.609	.547	.500	1.250	1.562	.120	1.375	1.3125-18UNEF	1.283-1.279
24	1.719	1.625	1.578	.800	1.409	1.469	.688	.547	.500	1.375	1.688	.147	1.500	1.4375-18UNEF	1.408-1.404

All dimensions for reference only

J3 Adapter

JT – Crimp JT06R (MS27473) straight plug



*To complete order number see page 52
 **High temperature version, to complete order number see page 52
 ***Clear iridite finish (gold color), N₂O₄ resistant, to complete order number see page 52

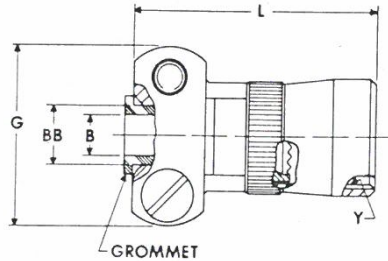
Shell Size	KK Dia. Max.	KK ¹ Max.	KK ² Max.	F Dia.	F ¹ Dia. +.010 - .025	L Max.	L ¹ Max.	L ² Max.	L ³ Max.	Q Dia. Max.	V Thread Modified	
											Class 2A	Modified Major Dia.
8	.625	.812	.578	.444	.125	1.562	1.000	.938	.891	.734	.4375-28UNEF	.421- .417
10	.750	.875	.703	.558	.188	1.562	1.000	.938	.891	.844	.5625-24UNEF	.542- .538
12	.875	1.000	.828	.683	.312	1.562	1.000	.938	.891	1.016	.6875-24UNEF	.667- .663
14	1.000	1.125	.953	.808	.375	1.812	1.000	.938	.891	1.141	.8125-20UNEF	.791- .787
16	1.125	1.188	1.078	.909	.500	1.812	1.000	.938	.891	1.265	.9375-20UNEF	.916- .912
18	1.250	1.438	1.203	1.034	.625	1.812	1.000	.938	.891	1.391	1.0625-18UNEF	1.034-1.030
20	1.375	1.438	1.328	1.159	.625	1.812	1.000	.938	.891	1.500	1.1875-18UNEF	1.158-1.154
22	1.500	1.625	1.453	1.284	.750	1.938	1.000	.938	.891	1.625	1.3125-18UNEF	1.283-1.279
24	1.625	1.719	1.578	1.409	.800	1.938	1.062	.938	.891	1.750	1.4375-18UNEF	1.408-1.404

All dimensions for reference only

JT – Accessories

Cable Clamp

(crimp type)



*10-405982-XXX (MS27506XXX-2)

For MS stamping identification, accessories must be ordered by MS part number. If ordered by 10- part number, they will be stamped with said number.

*To complete order number, add shell size and suffix number.

Finish	10- No. Suffix	MS No. Suffix
Chromate treat	-XX0	
Bright cadmium plate	-XX1	
Black anodize	-XX2	
Cadmium plate olive drab	-XX3	
Grey anodize	-XX4	
Anodic coating	-XX5	CXX-2
Tin zinc plate	-XX6	
Cadmium plate nickel base	-XX7	AXX-2
Bright nickel	-XX8	
Olive drab, cadmium, nickel base	-XX9	BXX-2
Electroless nickel	-XXG	FXX-2

For example shell size 10 with cadmium plate, nickel base, 10-405982-107 or MS27506A10-2

Shell Size	G Max.	L Max.	Y Thread (Modified)		BB Dia. +.000 - .011	Screw Size	B Dia. +.010 - .025
			Size Class 2B	Modified Minor Dia.			
8	.775	.984	.4375-28UNEF	.399 - .405	.250	6-32UNC	.125
10	.837	.984	.5625-24UNEF	.524 - .529	.312	6-32UNC	.188
12	.963	.984	.6875-24UNEF	.649 - .654	.438	6-32UNC	.312
14	1.087	1.234	.8125-20UNEF	.766 - .771	.562	6-32UNC	.375
16	1.150	1.234	.9375-20UNEF	.891 - .896	.625	6-32UNC	.500
18	1.400	1.234	1.0625-18UNEF	1.002 - 1.007	.750	8-32UNC	.625
20	1.400	1.234	1.1875-18UNEF	1.135 - 1.140	.750	8-32UNC	.625
22	1.587	1.359	1.3125-18UNEF	1.252 - 1.257	.938	8-32UNC	.750
24	1.681	1.281	1.4375-18UNEF	1.377 - 1.382	1.000	8-32UNC	.800

All dimensions for reference only.

J4, J5 -
J3 -
J1, J2 -

HAL COMMUNICATIONS CORP.
 ST-8000A MS CONNECTORS
 DECEMBER 11, 1990

MSCON1.WK1

ST-8000A CONNECTOR	J1	J2	J3	J4	J5
USAF SPECIFICATION:					
Use	Data I/O	Audio I/O	AC Power	Remote Control	Diversity (Optional)
Specified P/N	MS27508E14F35SB	MS27508E14F35SA	MS27472E12F98P	MS27508E10F35P	MS27508E10F35S
Connector Type	BOX MTG PLUG - Int	BOX MTG PLUG - Int	WALL MTG RECPT	BOX MTG PLUG - Int	BOX MTG PLUG - Int
Cable Clamp	N/R	N/R	MS27506F12-2	N/R	N/R
No. of Pins	37 (Socket)	37 (Socket)	10 (Pin)	13 (Pin)	13 (Socket)
Contact Size	No. 22D	No. 22D	No. 20	No. 22D	No. 22D
Current Rating	5 Amps	5 Amps	7.5 Amps	5 Amps	5 Amps
Service Rating	"M"	"M"	"I"	"M"	"M"
Test Voltage	1300 VRMS	1300 VRMS	1800 VRMS	1300 VRMS	1300 VRMS
Plating	Electroless Nickel	Electroless Nickel	Electroless Nickel	Electroless Nickel	Electroless Nickel
MATING CONNECTOR:					
Mating Cable Conn	MS27473E14F35PB	MS27473E14F35PA	MS27473E12F98S	MS27473E10F35S	MS27473E12F98P
Cable Clamp	MS27506F14-2	MS27506F14-2	MS27506F12-2	MS27506F10-2	MS27506F10-2
JT06RE (Incl Clamp)	JT06RE-14-35PB(SR)	JT06RE-14-35PA(SR)	JT06RE-12-98S(SR)	JT06RE-10-35S(SR)	JT06RE-10-35P(SR)
No. of Pins	37 (Socket)	37 (Socket)	10 (Pin)	13 (Pin)	13 (Socket)
Contact Size	No. 22D	No. 22D	No. 20	No. 22D	No. 22D
CRIMP TOOLING					
Crimp Tool	MS3198-1	MS3198-1	MS3198-1	MS3198-1	MS3198-1
Die (Socket)	MS3198-6P	MS3198-6P	MS3198-9P	MS3198-6P	MS3198-6P
Die (Pin)	MS3198-8P	MS3198-8P	MS3198-9P	MS3198-8P	MS3198-8P
MIL SPEC					
	MIL-C-38999	MIL-C-38999	MIL-C-38999	MIL-C-38999	MIL-C-38999
	Series II	Series II	Series II	Series II	Series II
QPL Sources					
QPL-38999-29	Amphenol, Bendix, ITT, Cannon, Plessey, Matrix	Amphenol, Bendix, ITT, Cannon, Plessey, Matrix	Amphenol, Bendix, ITT, Cannon, Plessey, Matrix	Amphenol, Bendix, ITT, Cannon, Plessey, Matrix	Amphenol, Bendix, ITT, Cannon, Plessey, Matrix

Quotation No. _____

Customer/Buyer

Page 1 of 1

HAL COMMUNICATIONS CORP.
P.O. BOX 365
URBANA, IL 61801

Date JUNE 30, 1988

Attention TERRY STOLTEY
Customer Reference:

QUOTATION

QUANTITY	DESCRIPTION OF PRODUCTS	UNIT PRICE	DELIVERY
20	MS27499E12F980	22.52	1PC 10 WEEK 19 PCS 18 W
2	MS27473E12F98S	23.57	10 WEEKS
20	JTPO2RE-10-35P	21.39	1 WEEK
2	MATING CONNECTOR FOR JTPO2RE-10-35P	20.90	1 WEEK
20	MS27499E12F358B	25.96	1 WEEK
2	MS27473E12F35PB	25.85	10 WEEKS
20	MS27499E14F358A	30.50	9PCS 1 WEEK 11 PCS 18 W
2	MS27473E12F35PA	27.50	1WEEK

The terms and conditions on the reverse side are also a part hereof, including Seller's Limited Warranty and Limitation of Liabilities (Item 5). The terms and conditions of sale set forth on the face and reverse sides hereof constitute an offer by Seller and may only be accepted on the exact terms set forth and no other terms and conditions shall be controlling. These terms and conditions supersede the terms and conditions of Buyer's purchase order or any other documents submitted by Buyer with respect to the Products described hereon.

Terms: NET 30
Our Sales Engineer in Your Area is:

Inside Sales Contact: ANGELA
FOB: Destination Factory Our Plant

WE THANK YOU FOR THIS OPPORTUNITY TO BID ON YOUR REQUIREMENTS AND LOOK FORWARD TO SERVING YOUR FUTURE NEEDS.

By Mark Daniels
MARK DANIELS GENERAL MANAGER
Quotes & Contract Manager



330 SOVEREIGN COURT
ST. LOUIS, MO 63011-4491
(314) 391-6444

Quotation No. 5798

Page 1 of 1

HAL COMMUNICATION
P.O. BOX 365
URBANA, IL 61801

Date JUNE 28, 1988

ATTN: TERRY STOLTEY

CLOSE DATE: 6-27-88

QUANTITY	DESCRIPTION	UNIT PRICE	DELIVERY
20	MS27499E12F98P MFG-CAN	20.05	STK
2	MS27473E12F98S CAN	38.15	STK
20	JTP02RE-10-35P	NO BID	
2	BENDIX	NO BID	
20	MS27499E12F35SB CAN	36.95	18-20 WKS
2	MS27473E12F35PB CAN	40.15	8 WKS
20	MS27499E14F35SA CAN	28.95	STK
2	MS27473E14F35PA CAN	39.55	STK

QUOTATION

Our Sales Engineer in Your Area is:

KEN MEYER

Terms:

1/10/30

F.O.B.:

SP

The prices quoted herein represent currently established prices and are no higher than would be quoted to any other customer, other industrial or agencies of United States Government, for similar material in like quantities. Unless otherwise stated herein, these prices are firm for all deliveries made to your company within 30 (thirty) days from the date of this quotation. In the event of a price increase by our supplier, we reserve the right to renegotiate the prices quoted on those items subject to the price increase.

NOTICE OF LIMITATIONS ON WARRANTIES AND DAMAGES

Seller makes no express or implied warranty with respect to the items described herein, AND SUCH ITEMS ARE PURCHASED "AS IS", except that Seller acknowledges responsibility for any such items not meeting manufacturer's specifications. Seller's responsibility hereunder for items not meeting manufacturer's specifications is expressly limited to either (I) refund of purchaser's purchase price for such items (without interest) or (II) repair and/or replacement of such items, at Seller's election, and such remedy shall be exclusive and in lieu of all others. Seller will not be liable for personal injury or property damage and will in no event be responsible for or have any obligations or liabilities for incidental or consequential damages.

WE THANK YOU FOR THIS OPPORTUNITY TO BID ON YOUR REQUIREMENTS AND LOOK FORWARD TO SERVING YOUR FUTURE NEEDS.

By Dan Kelch
DAN KELCH AUTHORIZED SIGNATURE

-05



SUPERIOR PRINTING
 1303 NORTH HARRIS AVE.
 CHAMPAIGN, ILLINOIS 61820
 TELEPHONE 217/352-4226

~~SUNDAY~~

8/19/91

1. 28VDC ST8000A/B

MS CONN:

3. DC POWER IN: 12-3 INSERT

4. CHASSIS MS27508E12F3P

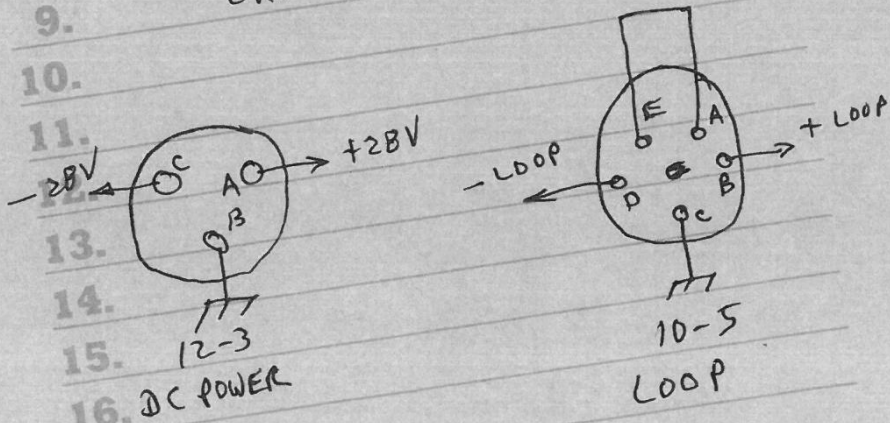
5. CABLE MS27473E12F3S

6.

7. LOOP: 10-5 INSERT

8. CHASSIS MS27508E10F5S

9. CABLE MS27473E10F5P



13.

14.

15. 12-3

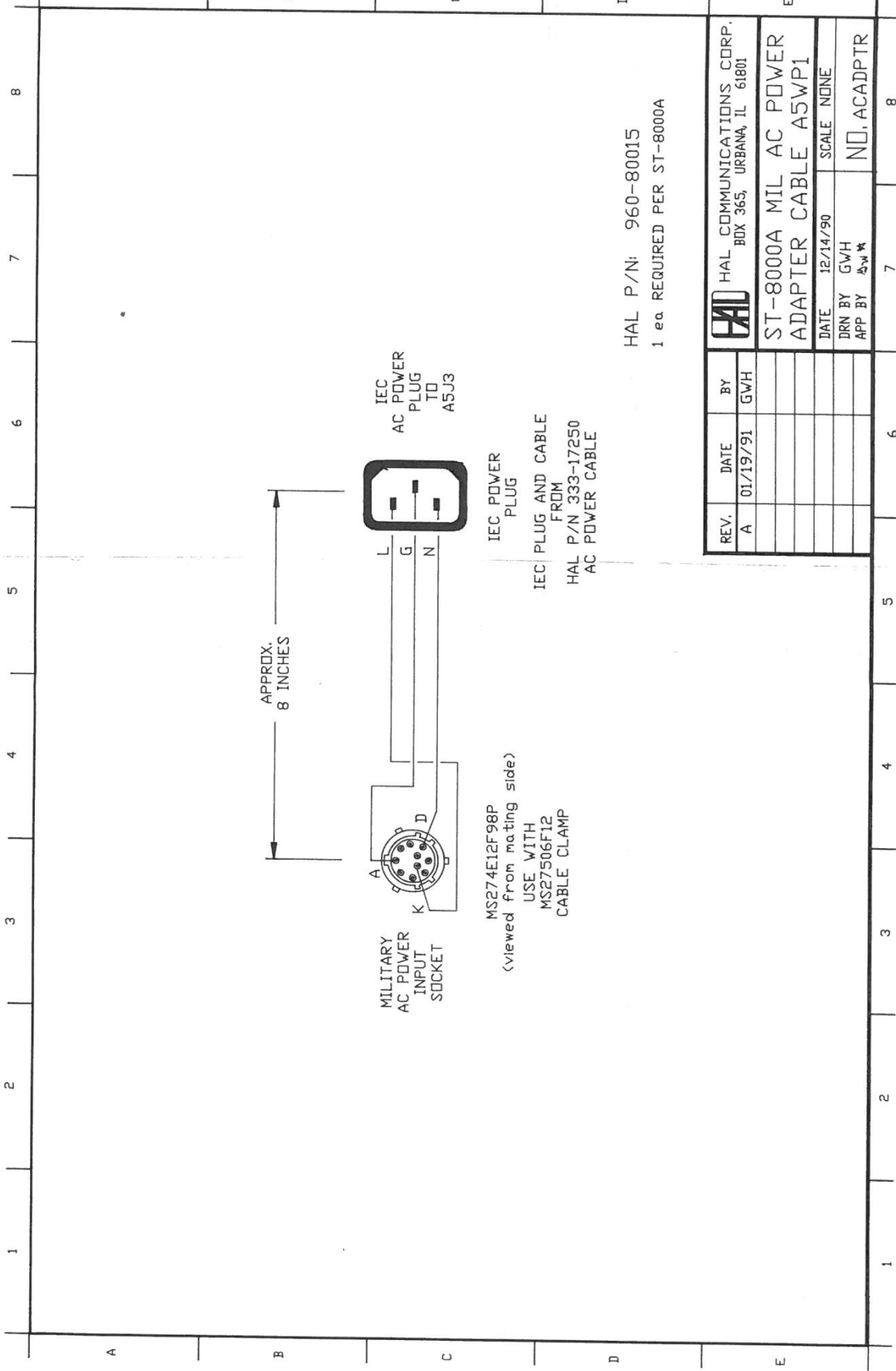
16. DC POWER

17.

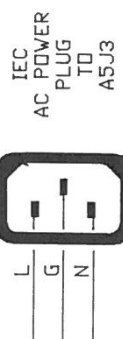
18.

19.

20.



APPROX.
8 INCHES



IEC
AC POWER
PLUG
TO
A5J3

MILITARY
AC POWER
INPUT
SOCKET

MS274E12F98P
(viewed from mating side)
USE WITH
MS27506F12
CABLE CLAMP

IEC POWER
PLUG

IEC PLUG AND CABLE
FROM
HAL P/N 333-17250
AC POWER CABLE

HAL P/N: 960-80015
1 ea REQUIRED PER ST-8000A

REV.	DATE	BY
A	01/19/91	GW

HAL COMMUNICATIONS CORP. BDX 365, URBANA, IL 61801	
ST-8000A MIL AC POWER ADAPTER CABLE A5W/P1	
DATE	12/14/90
DRN BY	GW
APP BY	GW
SCALE	NONE
NO.	ACADPTR

HAL COMMUNICATIONS CORP.
 ST-8000A MS CONNECTORS
 NOVEMBER 11, 1990
 REV: 12/11/90

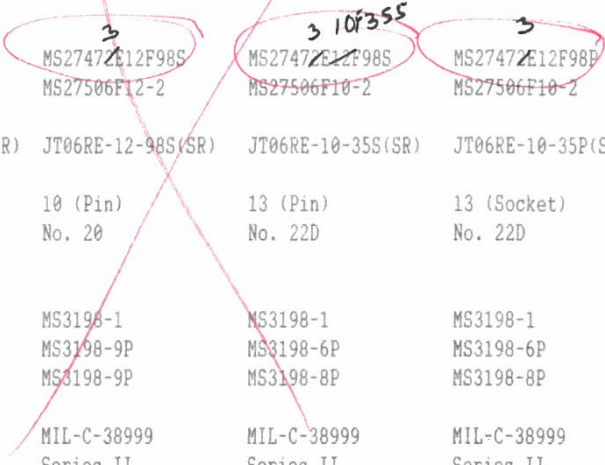
MSCON.WK1

ST-8000A CONNECTOR	J1	J2	J3	J4	J5
USAF SPECIFICATION:					
Use	Data I/O	Audio I/O	AC Power	Remote Control	Diversity (Optional)
Specified P/N	MS27499E14F35SB	MS27499E14F35SA	MS27499E12F98P	JTP02RE-10-35P	MS27508E10F35S
Connector Type	BOX MTG - External	BOX MTG - External	BOX MTG - External	BOX MTG - Internal	BOX MTG - Internal
Equiv (MS/JT)	JT02RE-14-35SB	JT02RE-14-35SA	JT02RE-12-98P	MS27508E10F35P	JTP02RE-10-35S
Box MTG Internal Equiv (JTP)	MS27508E14F35SB JTP02RE-14-35SB	MS27508E14F35SA JTP02RE-14-35SA	MS27508E12F98P JTP02RE-12-98P	MS27508E10F35P JTP02RE-10-35P	MS27508E10F35S JTP02RE-10-35S
No. of Pins	37 (Socket)	37 (Socket)	10 (Pin)	13 (Pin)	13 (Socket)
Contact Size	No. 22D	No. 22D	No. 20	No. 22D	No. 22D
Current Rating	5 Amps	5 Amps	7.5 Amps	5 Amps	5 Amps
Service Rating	"M"	"M"	"I"	"M"	"M"
Test Voltage	1300 VRMS	1300 VRMS	1800 VRMS	1300 VRMS	1300 VRMS
Plating	Electroless Nickel	Electroless Nickel	Electroless Nickel	Electroless Nickel	Electroless Nickel
MATING CONNECTOR:					
Mating Cable Conn	MS27473E14F35PB	MS27473E14F35PA	MS27473E12F98S	MS27473E10F35S	MS27473E10F35P
Cable Clamp	MS27506F14-2	MS27506F14-2	MS27506F12-2	MS27506F10-2	MS27506F10-2
JT06RE (Incl Clamp)	JT06RE-14-35PB(SR)	JT06RE-14-35PA(SR)	JT06RE-12-98S(SR)	JT06RE-10-35S(SR)	JT06RE-10-35P(SR)
No. of Pins	37 (Socket)	37 (Socket)	10 (Pin)	13 (Pin)	13 (Socket)
Contact Size	No. 22D	No. 22D	No. 20	No. 22D	No. 22D
CRIMP TOOLING					
Crimp Tool	MS3198-1	MS3198-1	MS3198-1	MS3198-1	MS3198-1
Die (Socket)	MS3198-6P	MS3198-6P	MS3198-9P	MS3198-6P	MS3198-6P
Die (Pin)	MS3198-8P	MS3198-8P	MS3198-9P	MS3198-8P	MS3198-8P
MIL SPEC					
	MIL-C-38999 Series II	MIL-C-38999 Series II	MIL-C-38999 Series II	MIL-C-38999 Series II	MIL-C-38999 Series II
QPL Sources					
QPL-38999-29	Amphenol, Bendix, ITT, Cannon, Plessey, Matrix	Amphenol, Bendix, ITT, Cannon, Plessey, Matrix	Amphenol, Bendix, ITT, Cannon, Plessey, Matrix	Amphenol, Bendix, ITT, Cannon, Plessey, Matrix	Amphenol, Bendix, ITT, Cannon, Plessey, Matrix

HAL COMMUNICATIONS CORP.
 ST-8000A MS CONNECTORS
 NOVEMBER 11, 1990

MSCON.WK1

ST-8000A CONNECTOR	J1	J2	J3	J4	J5
USAF SPECIFICATION:					
Use	Data I/O	Audio I/O	AC Power	Remote Control	Diversity (Optional)
Specified P/N	MS27499E14F35SB	MS27499E14F35SA	MS27499E12F98P	JTP02RE-10-35P	MS27508E10F35S
Connector Type	BOX MTG - External	BOX MTG - External	BOX MTG - External	BOX MTG - Internal	BOX MTG - Internal
Equiv (MS/JT)	JT02RE-14-35SB	JT02RE-14-35SA	JT02RE-12-98P	MS27508E10F35P	JTP02RE-10-35S
Box MTG Internal Equiv (JTP)	MS27508E14F35SB JTP02RE-14-35SB	MS27508E14F35SA JTP02RE-14-35SA	MS27508E12F98P JTP02RE-12-98P	MS27508E10F35P JTP02RE-10-35P	MS27508E10F35S JTP02RE-10-35S
No. of Pins	37 (Socket)	37 (Socket)	10 (Pin)	13 (Pin)	13 (Socket)
Contact Size	No. 22D	No. 22D	No. 20	No. 22D	No. 22D
Current Rating	5 Amps	5 Amps	7.5 Amps	5 Amps	5 Amps
Service Rating	"M"	"M"	"I"	"M"	"M"
Test Voltage	1300 VRMS	1300 VRMS	1800 VRMS	1300 VRMS	1300 VRMS
Plating	Electroless Nickel	Electroless Nickel	Electroless Nickel	Electroless Nickel	Electroless Nickel
MATING CONNECTOR:					
Mating Cable Conn	MS27473E14F35PB	MS27473E14F35PA	MS27472E12F98S	MS27472E12F98S	MS27472E12F98P
Cable Clamp	MS27506F14-2	MS27506F14-2	MS27506F12-2	MS27506F10-2	MS27506F10-2
JT06RE (Incl Clamp)	JT06RE-14-35PB(SR)	JT06RE-14-35PA(SR)	JT06RE-12-98S(SR)	JT06RE-10-35S(SR)	JT06RE-10-35P(SR)
No. of Pins	37 (Socket)	37 (Socket)	10 (Pin)	13 (Pin)	13 (Socket)
Contact Size	No. 22D	No. 22D	No. 20	No. 22D	No. 22D
CRIMP TOOLING					
Crimp Tool	MS3198-1	MS3198-1	MS3198-1	MS3198-1	MS3198-1
Die (Socket)	MS3198-6P	MS3198-6P	MS3198-9P	MS3198-6P	MS3198-6P
Die (Pin)	MS3198-8P	MS3198-8P	MS3198-9P	MS3198-8P	MS3198-8P
MIL SPEC	MIL-C-38999 Series II	MIL-C-38999 Series II	MIL-C-38999 Series II	MIL-C-38999 Series II	MIL-C-38999 Series II
QPL Sources QPL-38999-29	Amphenol, Bendix, ITT, Cannon, Plessey, Matrix	Amphenol, Bendix, ITT, Cannon, Plessey, Matrix	Amphenol, Bendix, ITT, Cannon, Plessey, Matrix	Amphenol, Bendix, ITT, Cannon, Plessey, Matrix	Amphenol, Bendix, ITT, Cannon, Plessey, Matrix





SUPERIOR PRINTING
1303 NORTH HARRIS AVE.
CHAMPAIGN, ILLINOIS 61820
TELEPHONE 217/352-4226

SATURDAY
DECEMBER
1

1. ^{or} Bendix JTOORE-12-98P (SR)
2. " JTOIRE-12-98P (SR)
- 3.
4. ~~MS27472E12F98P~~
5. or
6. MS27472E12F98P
7. and MS27342A-12-2
- 8.
- 9.
- 10.
- 11.
- 12.
- 13.
- 14.
- 15.
- 16.
- 17.
- 18.
- 19.
- 20.

Happy Holidays

HAL COMMUNICATIONS CORP.
 ST-8000A MS CONNECTORS
DECEMBER 11, 1990

MSCON1.WK1

ST-8000A CONNECTOR	J1	J2	J3	J4	J5

USAF SPECIFICATION:					
Use	Data I/O	Audio I/O	AC Power	Remote Control	Diversity (Optional)
Specified P/N	MS27508E14F35SB	MS27508E14F35SA	MS27472E12F98P	MS27508E10F35P	MS27508E10F35S
Connector Type	BOX MTG PLUG - Int	BOX MTG PLUG - Int	WALL MTG RECPT	BOX MTG PLUG - Int	BOX MTG PLUG - Int
Cable Clamp	N/R	N/R	MS27506F12-2	N/R	N/R
No. of Pins	37 (Socket)	37 (Socket)	10 (Pin)	13 (Pin)	13 (Socket)
Contact Size	No. 22D	No. 22D	No. 20	No. 22D	No. 22D
Current Rating	5 Amps	5 Amps	7.5 Amps	5 Amps	5 Amps
Service Rating	"M"	"M"	"I"	"M"	"M"
Test Voltage	1300 VRMS	1300 VRMS	1800 VRMS	1300 VRMS	1300 VRMS
Plating	Electroless Nickel	Electroless Nickel	Electroless Nickel	Electroless Nickel	Electroless Nickel
MATING CONNECTOR:					
Mating Cable Conn	MS27473E14F35PB	MS27473E14F35PA	MS27473E12F98S	MS27473E10F35S	MS27473E12F98P
Cable Clamp	MS27506F14-2	MS27506F14-2	MS27506F12-2	MS27506F10-2	MS27506F10-2
JT06RE (Incl Clamp)	JT06RE-14-35PB(SR)	JT06RE-14-35PA(SR)	JT06RE-12-98S(SR)	JT06RE-10-35S(SR)	JT06RE-10-35P(SR)
No. of Pins	37 (Socket)	37 (Socket)	10 (Pin)	13 (Pin)	13 (Socket)
Contact Size	No. 22D	No. 22D	No. 20	No. 22D	No. 22D
CRIMP TOOLING					
Crimp Tool	MS3198-1	MS3198-1	MS3198-1	MS3198-1	MS3198-1
Die (Socket)	MS3198-6P	MS3198-6P	MS3198-9P	MS3198-6P	MS3198-6P
Die (Pin)	MS3198-8P	MS3198-8P	MS3198-9P	MS3198-8P	MS3198-8P
MIL SPEC	MIL-C-38999	MIL-C-38999	MIL-C-38999	MIL-C-38999	MIL-C-38999
	Series II	Series II	Series II	Series II	Series II
QPL Sources	Amphenol, Bendix,	Amphenol, Bendix,	Amphenol, Bendix,	Amphenol, Bendix,	Amphenol, Bendix,
QPL-38999-29	ITT, Cannon,	ITT, Cannon,	ITT, Cannon,	ITT, Cannon,	ITT, Cannon,
	Plessey, Matrix	Plessey, Matrix	Plessey, Matrix	Plessey, Matrix	Plessey, Matrix

U.S. Patent Number 4,317,209 -- FSK standard

EK-VT100-UG-003 ----- Digital Electronics Corp.
VT100 User's Guide

12. NOTES

a. When government drawings, specifications, and other data are used for any purpose other than in connection definitely related government procurement operation, the United States Government thereby incurs no responsibility nor any obligation whatsoever; and the fact that the government may have formulated, furnished, or in anyway supplied the drawing, specifications, or other data is not to be regarded by implication or otherwise as in any manner licensing the holder or any other person or corporation, or conveying any rights or permission to manufacture, use, or sell any patented invention that may in any way be related thereto.

b. All signal connections to the modem are made on the rear panel and shall be made available with MS connectors. A minimum of four connectors are required, labeled J1-thru-J4, with pin arrangements as follows:

Connector type: BENDIX MS27499E14F35SB

J1- 1 THRU-6	-----	no connection (N.C.)
7	-----	demod undetected mark output
8	-----	N.C.
9	-----	demod undetected space output
10	-----	carrier detect output
11	-----	N.C.
12	-----	demod analog ground
13	-----	ground
14	-----	ground
15	-----	keyline
16	-----	keyline
17-18	-----	N.C.
19	-----	transmit clock output
20	-----	mod digital data input
21	-----	demod Mid-Bit clock
22	-----	demod digital data output (RS-232)
23	-----	demod digital data output MIL-188
24	-----	mod analog ground
25	-----	ground
26	-----	ground
27-thru-35	-----	N.C.
36	-----	mod analog ground
37	-----	shield

Connector type: BENDIX MS27499E14F35SA

J2-1	-----	mod FSK output
2	-----	N.C.

3	-----	mod FSK output
4	-----	N.C.
5	-----	Keyline
6	-----	Keyline
7	-----	N.C.
8	-----	N.C.
9	-----	N.C.
10	-----	demod FSK input
11	-----	N.C.
12	-----	demod FSK input
13-thru-36	-----	N.C.
37	-----	shield

Connector type: MS27499E12F98P

J3-A	-----	ground
B-C	-----	N.C
D	-----	neutral
E-thru-J	-----	N.C
K	-----	hot

Connector type: JTP02RE-10-35P

J4-1	-----	data input
2	-----	status input (CTS)
3	-----	data output
4	-----	status output (RTS)
5	-----	status output (CTS)
6	-----	ground
7-thru-13	-----	N.C.

Mating electrical connectors shall be furnished with the modem for four connectors located in the modems rear panel, including all associated mechanical parts.

18 October 1990

Re: ST-8000A DIVERSITY CONNECTOR (A5J5):

As per discussions of this morning, the ST-8000A rear panel will include holes for a diversity connector on the rear panel. This connector (J5) will be mounted between J1 (DATA I/O) and J2 (AUDIO I/O). All non-diversity ST-8000A FSK Modems (USAF Contract Modems) will also have an aluminum cover-plate that covers the J5 mounting location.

For future reference, when required, the Diversity Connector will be the following type:

MS2708E10F35S: Size 10 shell, 13 No. 22D socket pins,
Standard key-way location, Box Receptacle,
Back of Panel Mounting.

This connector is the reverse sex of J4, the REMOTE CONTROL I/O connector. The 10-35 insert (13 pin) meets the MIL-STD-454, Req. 10 specification for spare pins (2 or more for 5 active pins). Pin connections should be the same as used on MODEM Connector J2 (pins 1 through 5).

Connector J5 will only be installed when the "DIVERSITY OPTION" is purchased. Units shipped against the present USAF order will have the cover plate and not the connector installed at location "A5J5". Use of the cover plate and back of panel mounting allow simple up-grading of all ST-8000A's to include diversity.

The mating connector and clamp required to make a diversity cable is:

MS27473E10F35P and MS27506F10 clamp
or
JT06RE-10-35P(SR) - Clamp included

A "Diversity Cable" will require two of the above connectors and a five-wire shielded cable (No. 22 wire) connecting pins 1 through 5 of each connector (5 = ground; shield connects to connector shell).

Alternate: Connect pin 6 (or other unused pin) to chassis ground inside the rear panel and use this pin for the cable shield wire.

GWH

October 1, 1990

Re: MS Connectors for ST-8000A
To: LAS, ABW

The USAF Contract specifies four MS connectors to be used on the ST-8000A rear panel. These are evidently the same part numbers used on the Frederick 1280A/M. Three of the specified connectors mount on the outside of the rear panel; one mounts on the inside. The USAF (and Frederick) specification is not consistent.

The specified connectors are:

Connector J1: MS27499E14F35SB (Bendix JT02RE-14-35SB)
Connector J2: MS27499E14F35SA (Bendix JT02RE-14-35SA)
Connector J3: MS27499E12F98P (Bendix JT02RE-12-98P)
Connector J4: Bendix JTP02RE-10-35P (MS27508E10F35P)

HAL will request that all rear panel connectors be of the MS27508 style - mount from the inside of the rear panel. The part numbers for this variation are:

Connector J1: MS27508E14F35SB (Bendix JTP02RE-14-35SB)
Connector J2: MS27508E14F35SA (Bendix JTP02RE-14-35SA)
Connector J3: MS27508E12F98P (Bendix JTP02RE-12-98P)
Connector J4: MS27508E10F35P (Bendix JTP02RE-10-35P)

The contract also requires that HAL supply mating connectors and hardware for all rear panel connectors. Using the nomenclature that "P1" mates to "J1", etc:

Plug P1: MS27473E14F35PB Cable Clamp: MS2750614x-2
Plug P2: MS27473E14F35PA Cable Clamp: MS2750614x-2
Plug P3: MS27473E12F98S Cable Clamp: MS2750612x-2
Plug P4: MS27473E10F35S Cable Clamp: MS2750610x-2

Note "x" = "finish" to match Plug - ask supplier!

Bendix also indicates that one of the series of part numbers includes the cable clamp. The equivalent part numbers for this option are:

Plug P1: JT06RE-14-35PB(SR)
Plug P2: JT06RE-14-35PA(SR)
Plug P3: JT06RE-12-98S(SR)
Plug P4: JT06RE-10-35S(SR)

I suggest that we submit all of the above numbers for price and delivery quotation as soon as possible. We will need a total of 250 sets of connectors, plugs, and cable clamps to meet the USAF requirements. We should probably intend to order 275 to 300 sets to be sure that we have enough for prototypes and testing.

GWH

J1: MS27499E14F35SB
(MIL-C-38999H)

↳ Connector, Box Mounting Flange, Crimp Type, Bayonet Coupling, SERIES

- E - Class = Environment Resisting.
- 14 - Shell Size
- F - Finish - Elect. Cond., electroless nickel IAW MIL-C-26074 class 3 or 4, grade B, "finish shall be dull."
- 35 - Contact Arrangement
- S - Contact Style = Socket
- B - Polarization (Fig 5, P. 50, MIL-C-38999H) = 66° for 14 Shell

Bendix P/N:

JT02RE-14-35SB

BACK-PANEL VERSION: MS27508E14F35SB / JT02RE-14-35SB

J2: MS27499E14F35SA

As above, but with 79° rotation/polarization.

Bendix P/N: JT02RE-14-35SA

Back Panel Version: MS27508E14F35SB / JT02RE-14-35SA

J3: MS27499E12F98P

As above, but:

12 - Shell size.

98 - Contact Arrangement

P = Contact = Pins

() = Normal Polarization = 100°

Bendix P/N: JT02RE-12-98P

Back-Panel Version: MS27508E12F98P / JT02RE-12-98P

J4: JTP02RE-10-35P

JTP02-MS27508 style. → BACK PANEL MOUNTING

~~RE-10-35P~~

RE - as before

10 - shell size

35 - Insert style

P - pins

() - standard polarization = 100°

MIL P/N: MS27508E10F35P
(A)?

Exterior Mtg. Version: MS27499E10F35P / JTP02RE-10-35P

Mating Connectors \neq Hardware

J1 (MS27499/27508-14F35S~~B~~)

MS27473E14F35~~BB~~ / JT06RE-14-35~~BB~~ (SR)
includes clamp.

J2 (MS27499/27508-14F35SA)

MS27473E14F35PA / JT06RE-14-35PA (SR)

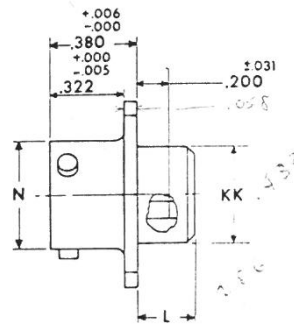
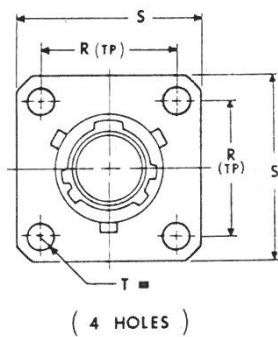
J3 (MS27499/27508-12F98A)

MS27473E12F98S / JT06RE-12-98~~B~~ (SR)

J4 (MS27499/27508-10F35A)

MS27473E10F35S / JT06RE-10-35S (SR)

JT-crimp JT02R (MS27499) box mounting receptacle



- *JT02RE-XX-XXX (MS27499E)
- **JTS02RE-XX-XXX (MS27504E)
- ***JTN02RE-XX-XXX
- *JT02RP-XX-XXX
- **JTS02RP-XX-XXX
- ***JTN02RP-XX-XXX

⊕ .005 DIA Ⓜ

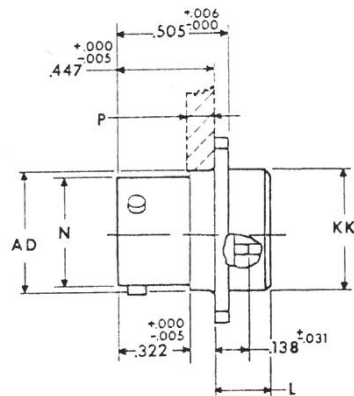
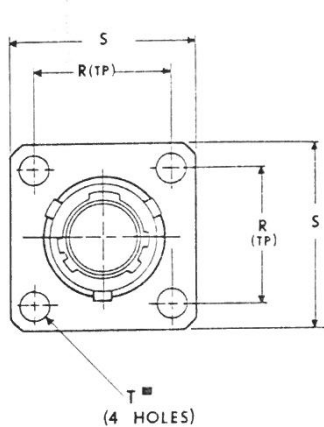
- *To complete order number see page 52.
- **High temperature version, to complete order number see page 52.
- ***Clear iridite finish (gold color), N₂O₂ resistant, to complete order number see page 52.

Shell Size	L Max.	KK Max.	N + .001 - .005	S ± .016	R (TP)	T ± .005
8	.286	.438	.473	.812	.554	.120
10	.286	.563	.590	.938	.719	.120
12	.286	.688	.750	1.031	.812	.120
14	.286	.813	.875	1.125	.906	.120
16	.286	.938	1.000	1.219	.969	.120
18	.286	1.047	1.125	1.312	1.062	.120
20	.286	1.172	1.250	1.438	1.156	.120
22	.286	1.297	1.375	1.562	1.250	.120
24	.286	1.422	1.500	1.688	1.375	.147

All dimensions for reference only

NOTE: For applications requiring an environmental seal please refer to JT00R, see page 10.

JT-crimp JTPO2R (MS27508) box mounting receptacle (back panel mounting)



- * JTP02RE-XX-XXX (MS27508E)
- ** JTPN02RE-XX-XXX
- *** JTPS02RE-XX-XXX
- * JTP02RP-XX-XXX
- ** JTPN02RP-XX-XXX
- *** JTPS02RP-XX-XXX

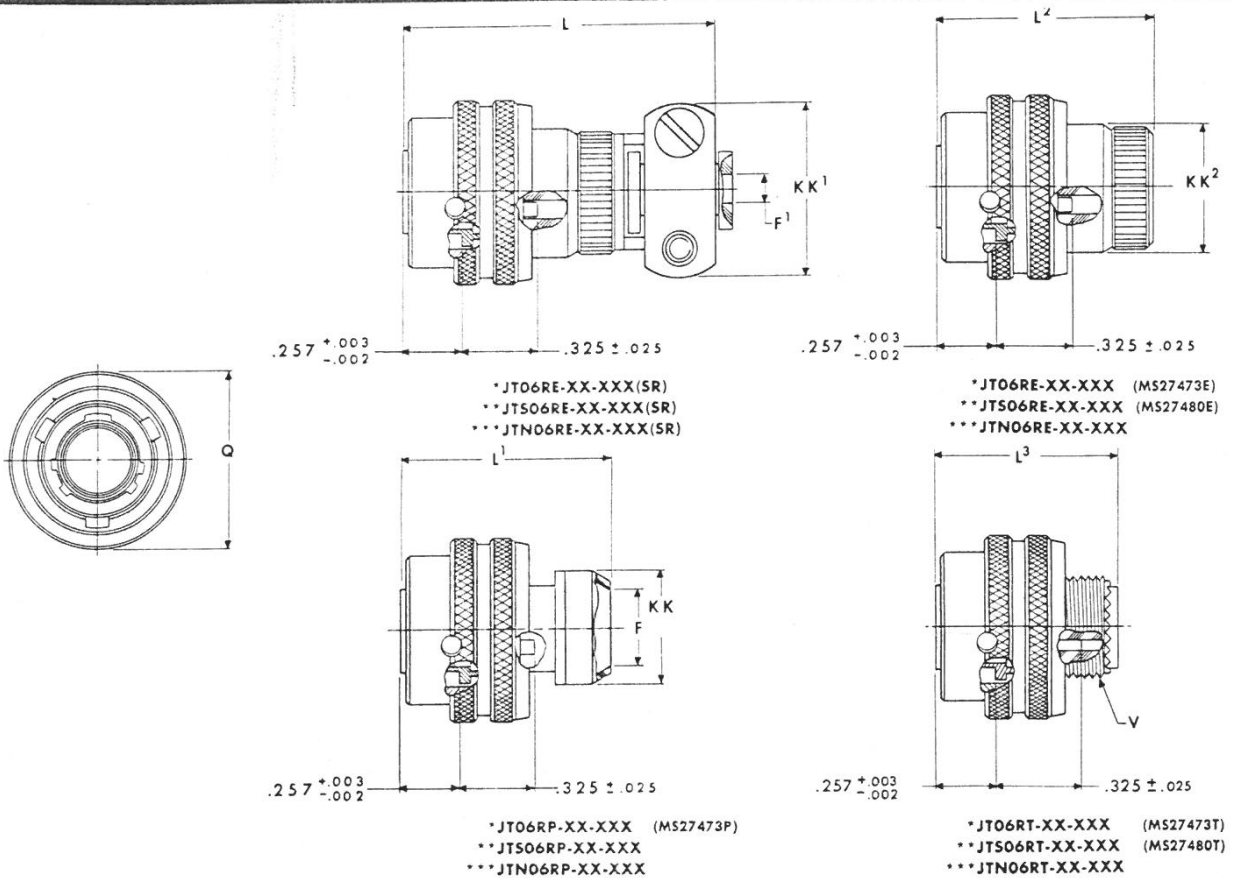
⊕ .005 DIA (M)

- *To complete order number see page 52.
- **High temperature version, to complete order number see page 52.
- ***Clear iridite finish (gold color), N₂O₂ resistant, to complete order number see page 52.

Shell Size	N Dia. +.001 -.005	R (TP)	S ±.016	L Max.	AD Dia. ±.005	T Dia. ±.005	P Max. Panel Thickness	KK Max.
8	.473	.594	.812	.225	.516	.120	.147	.531
10	.590	.719	.938	.225	.633	.120	.152	.656
12	.750	.812	1.031	.225	.802	.120	.152	.828
14	.875	.906	1.125	.225	.927	.120	.152	.953
16	1.000	.969	1.219	.225	1.052	.120	.152	1.078
18	1.125	1.062	1.312	.225	1.177	.120	.152	1.203
20	1.250	1.156	1.438	.225	1.302	.120	.179	1.328
22	1.375	1.250	1.562	.225	1.427	.120	.179	1.453
24	1.500	1.375	1.688	.225	1.552	.147	.169	1.578

All dimensions for reference only

JT-crimp JT06R (MS27473) straight plug

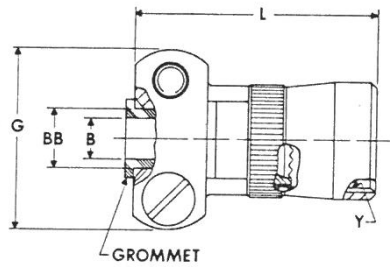


*To complete order number see page 52
 **High temperature version, to complete order number see page 52
 ***Clear iridite finish (gold color), N₂O₄ resistant, to complete order number see page 52

Shell Size	KK Dia. Max.	KK ¹ Max.	KK ² Max.	F Dia.	F ¹ Dia. $\pm .010 - .025$	L Max.	L ¹ Max.	L ² Max.	L ³ Max.	Q Dia. Max.	V Thread Modified	
											Class 2A	Modified Major Dia.
8	.625	.812	.578	.444	.125	1.562	1.000	.938	.891	.734	.4375-28UNEF	.421-.417
10	.750	.875	.703	.558	.188	1.562	1.000	.938	.891	.844	.5625-24UNEF	.542-.538
12	.875	1.000	.828	.683	.312	1.562	1.000	.938	.891	1.016	.6875-24UNEF	.667-.663
14	1.000	1.125	.953	.808	.375	1.812	1.000	.938	.891	1.141	.8125-20UNEF	.791-.787
16	1.125	1.188	1.078	.909	.500	1.812	1.000	.938	.891	1.265	.9375-20UNEF	.916-.912
18	1.250	1.438	1.203	1.034	.625	1.812	1.000	.938	.891	1.391	1.0625-18UNEF	1.034-1.030
20	1.375	1.438	1.328	1.159	.625	1.812	1.000	.938	.891	1.500	1.1875-18UNEF	1.158-1.154
22	1.500	1.625	1.453	1.284	.750	1.938	1.000	.938	.891	1.625	1.3125-18UNEF	1.283-1.279
24	1.625	1.719	1.578	1.409	.800	1.938	1.062	.938	.891	1.750	1.4375-18UNEF	1.408-1.404

All dimensions for reference only

JT-accessories cable clamps (crimp type)



*10-405982-XXX (MS27506XXX-2)

For MS stamping identification, accessories must be ordered by MS part number. If ordered by 10- part number, they will be stamped with said number.

*To complete order number, add shell size and suffix number.

Finish	10- No. Suffix	MS No. Suffix
Chromate treat	-XX0	
Bright cadmium plate	-XX1	
Black anodize	-XX2	
Cadmium plate olive drab	-XX3	
Grey anodize	-XX4	
Anodic coating	-XX5	CXX-2
Tin zinc plate	-XX6	
Cadmium plate nickel base	-XX7	AXX-2
Bright nickel	-XX8	
Olive drab, cadmium, nickel base	-XX9	BXX-2
Electroless nickel	-XXG	FXX-2

For example shell size 10 with cadmium plate, nickel base, 10-405982-107 or MS27506A10-2

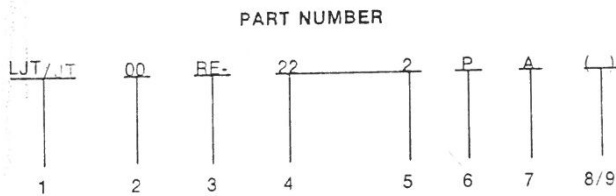
Shell Size	G Max.	L Max.	Y Thread (Modified)		BB Dia. +.000 - .011	Screw Size	B Dia. +.010 - .025
			Size Class 2B	Modified Minor Dia.			
8	.775	.984	.4375-28UNEF	.399 - .405	.250	6-32UNC	.125
10	.837	.984	.5625-24UNEF	.524 - .529	.312	6-32UNC	.188
12	.963	.984	.6875-24UNEF	.649 - .654	.438	6-32UNC	.312
14	1.087	1.234	.8125-20UNEF	.766 - .771	.562	6-32UNC	.375
16	1.150	1.234	.9375-20UNEF	.891 - .896	.625	6-32UNC	.500
18	1.400	1.234	1.0625-18UNEF	1.002 - 1.007	.750	8-32UNC	.625
20	1.400	1.234	1.1875-18UNEF	1.135 - 1.140	.750	8-32UNC	.625
22	1.587	1.359	1.3125-18UNEF	1.252 - 1.257	.938	8-32UNC	.750
24	1.681	1.281	1.4375-18UNEF	1.377 - 1.382	1.000	8-32UNC	.800

All dimensions for reference only.

JT/LJT how to order

PROPRIETARY PART NUMBER

To more easily illustrate ordering procedure, part number JT00RE-22-2PA () is shown as follows:



See code below:

1. Connector Type:

- JT designates standard Junior Tri-Lock Connector.
- LJT designates long Junior Tri-Lock Connector
- LJTS/JTS designates high temperature connector
- LJTN/JTN designates chemical and fuel resistant
- JTL designates Pygmy mounting dimensions
- JTLN designates Pygmy mounting dimensions—chemical resistant
- JTLS designates Pygmy mounting dimensions — high temperature
- LJTP/JTP designates back panel mounted
- LJTPN/JTPN designates back panel mounted — chemical resistant
- LJTFS/JTFS designates back panel mounted — high temperature
- JTG* designates plug with grounding fingers
- JTNG* designates plug with grounding fingers — chemical resistant

*Grounding fingers standard on all LJT plugs.

2. Shell Style:

- 00 designates wall mount receptacle
- 01 designates line mount receptacle
- 02 designates box mount receptacle
- 06 designates straight plug
- 07 designates jam nut receptacle
- 08 designates 90-degree plug
- 1 designates solder mount receptacle — hermetic

3. Service Class:

- "P" for potting applications — These connectors are supplied with a potting boot.† All shells are designed with integral features to retain potting boots.†
- "A" for general duty applications — Threaded rear design.† Can be supplied with strain relief "A (SR)."
- "C" for pressurized applications. Threaded rear design.† Can be supplied with strain relief "C (SR)."
- "H" for hermetic applications — Fused compression glass sealed inserts. Leakage rate less than .01 micron cu. ft./hr. (1 x 10⁻² cc/sec.) at 15 psi differential.
- "Y" same as "H" with interfacial seal.
- "T" for MS27599A applications — General duty — pressurized (receptacles only).
- "RP" for potting crimp applications — Supplied with spacer grommet and potting boot.†

"RE" for environmental crimp applications — Supplied with a grommet and compression nut.† Can be supplied with strain relief integral with compression nut "RE (SR)." (JT Series only.)

"RT" for environmental applications — Supplied without rear accessories. Design provides serrations on rear threads of shells.

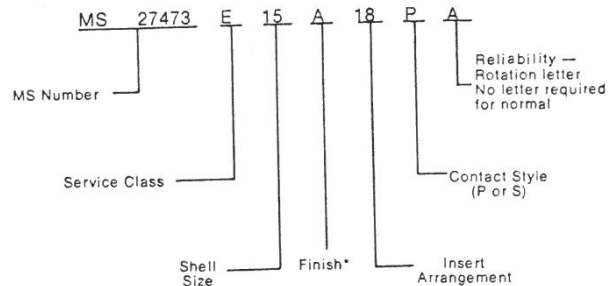
For additional information defining complete description of service class, consult factory.

4. JT shell sizes available from 8 through 24. LJT shell sizes available from 9 through 25. (Page 4 through 8)
5. 22-2 designates insert arrangement. Refer to following pages for additional insert patterns. (Page 6 through 8)
6. P designates pin contacts. S for socket contacts.
7. A designates a rotated connector assembly. Other basic rotations are B, C, and D. No letter required for normal (no rotation) position. (Page 4)
8. SR designates a strain relief clamp. Strain reliefs are available only on A.C. and RE class connectors.
9. Finish variation suffix.

†Not applicable to box mounting style.

Finish	Finish Suffix	Finish plus SR Suffix
Cadmium Plated Nickel Base		(SR)
Bright Cadmium	(001)	(304)
Olive Drab Cadmium Plate	(003)	(301)
Grey Anodize	(004)	(382)
Anodic Coating (Alumilite)	(005)	(300)
Bright Nickel	(009)	(362)
Chromate Treated (Iridite 14-2)	(011)	(344)
Olive Drab Cadmium Plate Nickel Base	(014)	(386)

MILITARY TYPES



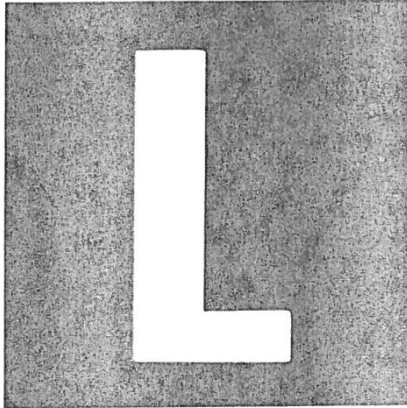
*For finish variations, see finish data. (Page 3)

For MS depictions and dimensional data see applicable MIL-Spec. (MIL-C-38999, MIL-C-27599).

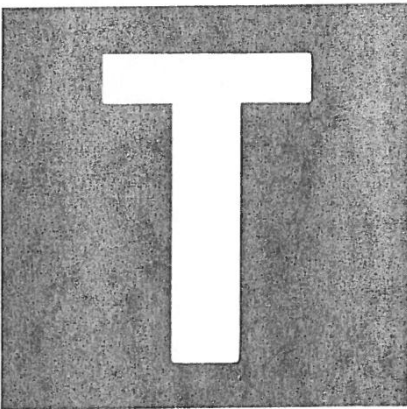
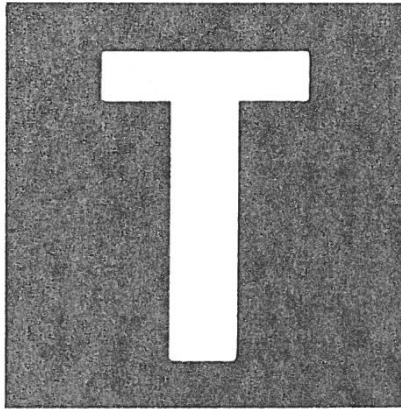
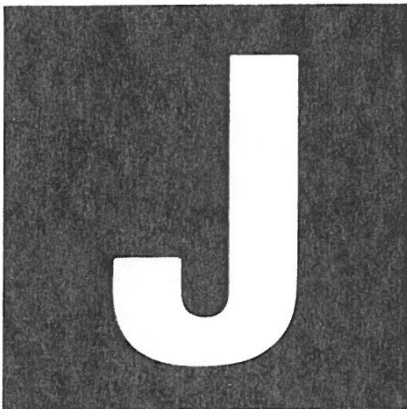
Bendix Federal Vendor Identification/FSCM 77820

MS 27499 . . .

12-090-6 JT/LJT



2110



miniature cylindrical connectors
designed to MIL-C-38999, MIL-C-27599

Bendix **Electrical
Components
Division**

HAL Communications Corp.
 October 18, 1990

#794 Connector Pricing & Delivery Per Hamilton/Avnet

	Connector	Price	Delivery
spec.	MS27499E14F355B	\$19.70	13 - 2WKS / BALANCE 18 WKS
	MS27499E14F355A	\$19.70	13 - 2WKS / BALANCE 18 WKS
	MS27499E12F98P	\$14.60	115 - 2WKS / BALANCE 18 WKS
	MS27508E10F35P	\$14.70	207 - 2WKS / BALANCE 4 WKS
var.	MS27508E14F355B	\$19.86	49 - 2WKS / BALANCE 18 WKS
	MS27508E14F355A	\$19.86	241 - 2WKS / BALANCE 18 WKS
	MS27508E12F98P	\$14.77	138 - 2WKS / BALANCE 12 WKS
	MS27508E10F35P	\$14.70	207 - 2WKS / BALANCE 4 WKS
mates	MS27473E14F35PB	\$17.82	18 WKS
	MS27473E14F35PA	\$17.82	18 WKS
	MS27473E12F98S	\$15.27	12 WKS
	MS27473E10F35S	\$14.53	16 WKS
clamps	MS27506F14	\$5.84	1 WK
	MS27506F14	\$5.84	1 WK
	MS27506F12	\$5.58	261 - 1WK / BALANCE 18 WKS
	MS27506F10	\$5.34	18 WKS
w/clamp	JT06RE-14-35PB(SR)	\$21.27	18 - 2WKS /35 -10WKS /BAL. 18WKS
	JT06RE-14-35PA(SR)	\$21.27	18 - 2WKS / BALANCE 10 WKS
	JT06RE-12-98S(SR)	\$18.30	100 - 2WKS / BALANCE 10 WKS
	JT06RE-10-35S(SR)	\$17.71	65 - 2WKS /149 -4WKS /BAL. 10WKS

HAL Communications Corp.
 October 18, 1990

#794 Connector Pricing & Delivery Per Hamilton/Avnet

	Connector	Price	Delivery
spec.	MS27499E14F355B	\$19.70	13 - 2WKS / BALANCE 18 WKS
	MS27499E14F355A	\$19.70	13 - 2WKS / BALANCE 18 WKS
	MS27499E12F98P	\$14.60	115 - 2WKS / BALANCE 18 WKS
	MS27508E10F35P	\$14.70	207 - 2WKS / BALANCE 4 WKS
var.	MS27508E14F355B	\$19.86	49 - 2WKS / BALANCE 18 WKS
	MS27508E14F355A	\$19.86	241 - 2WKS / BALANCE 18 WKS
	MS27508E12F98P	\$14.77	138 - 2WKS / BALANCE 12 WKS
	MS27508E10F35P	\$14.70	207 - 2WKS / BALANCE 4 WKS
mates	MS27473E14F35PB	\$17.82	18 WKS
	MS27473E14F35PA	\$17.82	18 WKS
	MS27473E12F98S	\$15.27	12 WKS
	MS27473E10F35S	\$14.53	16 WKS
clamps	MS27506F14	\$5.84	1 WK
	MS27506F14	\$5.84	1 WK
	MS27506F12	\$5.58	261 - 1WK / BALANCE 18 WKS
	MS27506F10	\$5.34	18 WKS
w/clamp	JT06RE-14-35PB(SR)	\$21.27	18 - 2WKS /35 -10WKS /BAL.18WKS
	JT06RE-14-35PA(SR)	\$21.27	18 - 2WKS / BALANCE 10 WKS
	JT06RE-12-98S(SR)	\$18.30	100 - 2WKS / BALANCE 10 WKS
	JT06RE-10-35S(SR)	\$17.71	65 - 2WKS /149 -4WKS /BAL.10WKS

JT/LJT specifications

Contact Rating

Contact Size	Test Current		Maximum Millivolt Drop Crimp	Maximum Millivolt Drop Solder	
	Standard	Hermetic		Standard	Hermetic
22M	3	2	30	20	60
22D	5		40		
22	5	3	40	20	85
20	7.5	5	35	20	60
16	13	10	25	20	85
12	23	17	25		85

Contact Size	CRIMP WELL DATA		SOLDER WELL DATA	
	Well Diameter	Nominal Well Depth	Well Diameter	Nominal Well Depth
22M	.029 ±.001	.141	.029 +.004 -.000	.094
22D	.0345 ±.0010	.141		
22	.0365 ±.0010	.141	.036 +.004 -.000	.094
20	.047 ±.001	.209	.044 +.004 -.000	.125
16	.067 ±.001	.209	.078 +.004 -.002	.141
12	.100 ±.002	.209		

Service Rating*

Service Rating	Suggested Operating Voltage (Sea Level)		Test Voltage (Sea Level)	Test Voltage 50,000 Ft.	Test Voltage 70,000 Ft.	Test Voltage 110,000 Ft.
	AC (RMS)	DC				
M	400	550	1300 VRMS	550 VRMS	350 VRMS	200 VRMS
I	600	850	1800 VRMS	600 VRMS	400 VRMS	200 VRMS
II	900	1250	2300 VRMS	800 VRMS	500 VRMS	200 VRMS

*Please note that the establishment of electrical safety factors is left entirely in the designer's hands, since he is in the best position to know what peak voltages, switching surges, transients, etc., can be expected in a particular circuit.

Finish Data

Aluminum Shell Components Non-Hermetic				
Finish	Suffix		Indicated Finish Standard for JT Types Listed Below	Indicated Finish Standard for LJT Types Listed Below
	Military	Proprietary		
Cadmium Plated Nickel Base	MS (A)		JT/JTG/JTL/JTP	LJT/LJTP
Bright Cadmium		(001)		
Olive Drab Cadmium Plate		(003)		
Grey Anodize		(004)		
Anodic Coating (Alumilite)	MS (C)	(005)	JTS/JTPS/JTLS	LJTPS/LJTS
Bright Nickel		(009)		
Chromate Treated (Iridite 14-2)		(011)	JTN/JTPN/JTLN	LJTN/LJTPN
Olive Drab Cadmium Plate Nickel Base	MS (B)	(014)		
Electroless Nickel	MS (F)	(023)		

Hermetic Connectors				
Material/Finish	Suffix		Indicated Finish Standard for JT Types Listed Below	Indicated Finish Standard for LJT Types Listed Below
	Military	Proprietary		
Carbon Steel Shell Tin Plated Shell and Contacts	MS (D)		JT()H/JT()Y JTL()H/JTL()Y	LJT()Y/LJT()H
Carbon Steel Shell Gold Plated Shell and Contacts		*(101)		
Stainless Steel Shell	MS (E)	(150)	JTS()Y JTLS()Y	LJTS()Y

*Suffix (101) may be used for non hermetic types from standard finish column; contacts only will be 100 millionths inch minimum gold plate. These finishes are available on other JT and LJT connectors. Contact the factory for additional variations.

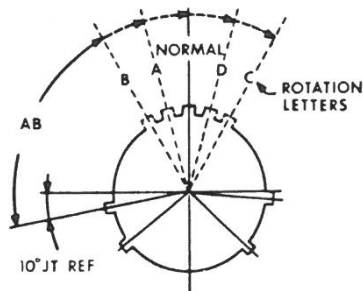
JT/LJT insert availability and identification; alternate positions

JT MASTER KEY/KEYWAY ROTATION

AB ANGLE OF ROTATION (Degrees)					
Shell Size	Normal	A	B	C	D
8	100°	82°	—	—	118°
10	100°	86°	72°	128°	114°
12	100°	80°	68°	132°	120°
14	100°	79°	66°	134°	121°
16	100°	82°	70°	130°	118°
18	100°	82°	70°	130°	118°
20	100°	82°	70°	130°	118°
22	100°	85°	74°	126°	115°
24	100°	85°	74°	126°	115°

A plug with a given rotation letter will mate with a receptacle with the same rotation letter. The AB angle for a given connector is the same whether it contains pins or sockets. Inserts are not rotated in conjunction with the master key/keyway.

AB angles shown are viewed from the front face of the connector, a receptacle is shown below. The angles for the plug are exactly the same except the direction of rotation is opposite of that shown for the receptacle.



RELATIVE POSSIBLE POSITION OF ROTATED MASTER KEYWAY. (front face of receptacle shown)

J3 (POWER) →

JT	LJT	Solder	Crimp	Hermetics		Service Rating	Total Contacts	Contact Size							
				Class H	Class Y*			22D	22M	22	20	16	12	8†† (Coax)	
8-2		P				M	2				2				
8-3		X	N/A	P		M	3				3				
8-6	9-3	X	X	P	P	M	6		6						
	9-6	X	X	P	P	M	6		6						
	9-7	X				M	7		7						
	9-22	X				I	2				2				
8-35			X	P	P	M	6	6							
	9-35		X	P	P	M	6	6							
8-44			X	P	P	M	4			4					
	9-44		X			M	4			4					
8-97		X				M	4		2		2				
8-98		S	X	P	P	I	3				3				
	9-98	X	X	P	P	I	3				3				
	11-2		2	P**		I	2					2			
10-4			3			I	4				4				
	11-4	X	2			I	4				4				
10-5		X	X	P	P	I	5				5				
	11-5	X	P			I	5				5				
	11-6	S				I	6				6				
10-13		X	X	P	P	M	13		13						
11-13		X	X	P	P	M	13		13						
10-35		X	X	P	P	M	13		13						
11-35		X	X	P	P	M	13		13						
10-98		X	X	P	P	I	6				6				
11-98		X	X	P	P	I	6				6				
10-99			X	P	P	I	7				7				
	11-99		P			I	7				7				
12-3		X	X	P	P	II	3					3			
	13-3		P			II	3					3			
12-4		X	X	P	P	I	4				4				
	13-4	X	X	P	P	I	4				4				
12-8		X	X	P	P	I	8				8				
	13-8	X	X	P	P	I	8				8				
12-22			X	P	P	M	22		22						
	13-22	X	X	P	P	M	22		22						
12-35			X	P	P	M	22	22							
	13-35		X	P	P	M	22	22							
12-98		X	X	P	P	I	10				10				
13-98		X	X	P	P	I	10				10				
14-4			2			I	4						4		
	15-4		3			I	4						4		
14-5		X	X	P	P	II	5					5			
	15-5	X	X			II	5					5			
14-15		X	X	P	P	I	15				14	1			
	15-15	X	X	P	P	I	15				14	1			
14-18		X	X	P	P	I	18				18				
	15-18	X	X	P	P	I	18				18				
14-19		X	3			I	19				19				
	15-19		2			I	19				19				

(P) Pin inserts only (check factory for socket availability)

(S) Socket inserts only (check factory for pin availability)

(2) Not tooled for RP or O2RE

(3) Pin insert only, not tooled for RP or O2RE (check factory for availability)

*Y is same as H with interfacial seal

**Tooled with special terminal only (check factory for availability of standard terminal)

††Coax contacts only

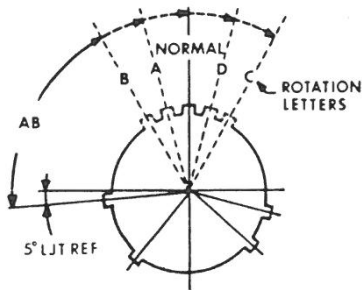
JT/LJT insert availability and identification; alternate positions (continued)

LJT MASTER KEY/KEYWAY ROTATION

AB ANGLE OF ROTATION (Degrees)					
Shell Size	Normal	A	B	C	D
9	95°	77°	—	—	113°
11	95°	81°	67°	123°	109°
13	95°	75°	63°	127°	115°
15	95°	74°	61°	129°	116°
17	95°	77°	65°	125°	113°
19	95°	77°	65°	125°	113°
21	95°	77°	65°	125°	113°
23	95°	80°	69°	121°	110°
25	95°	80°	69°	121°	110°

A plug with a given rotation letter will mate with a receptacle with the same rotation letter. The AB angle for a given connector is the same whether it contains pins or sockets. Inserts are not rotated in conjunction with the master key/keyway.

AB angles shown are viewed from the front face of the connector, a receptacle is shown below. The angles for the plug are exactly the same except the direction of rotation is opposite of that shown for the receptacle.



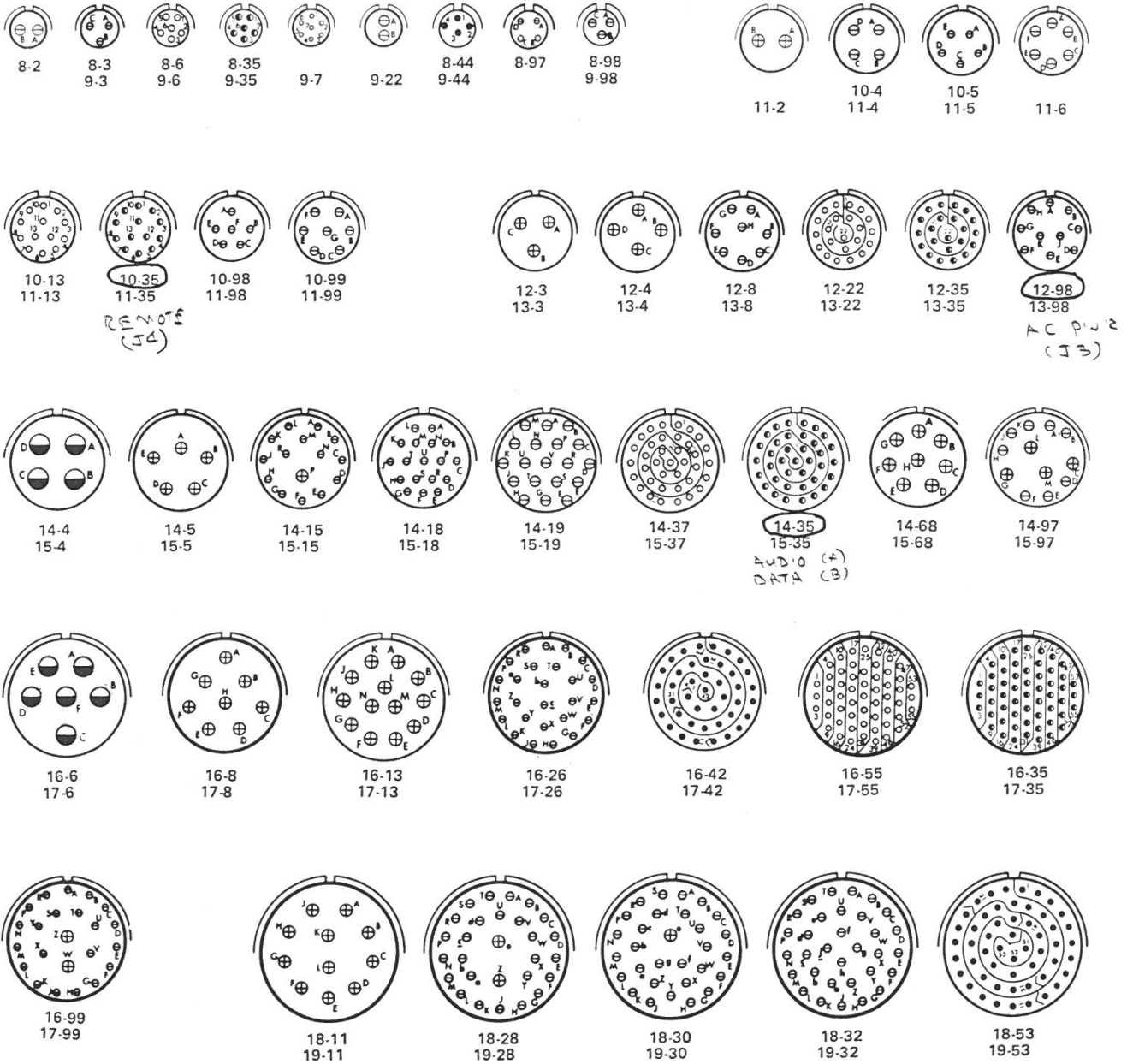
RELATIVE POSSIBLE POSITION OF ROTATED MASTER KEYWAY. (front face of receptacle shown)

JT	LJT	Solder	Crimp	Hermetics		Service Rating	Total Contacts	Contact Size							
				Class H	Class Y*			22D	22M	22	20	16	12	8†† (Coax)	
14-35			X	P	P	M	37	37							
	15-35		X	P	P										
14-37		X	X	P	P	M	37		37						
	15-37	X	X	P	P										
14-68			2			I	8					8			
	15-68		3												
14-97			2	P	P	I	12				8	4			
	15-97	X	2	P	P										
16-6			X	P	P	I	6							6	
	17-6		X	P	P										
16-8		X	X	P	P	II	8					8			
	17-8	X	X	P	P										
16-13			2			I	13						13		
	17-13		3												
16-26		X	X	P	P	I	26				26				
	17-26	X	X	P	P										
16-35			X	P	P	M	55	55							
	17-35	X	X	P	P										
16-42			X	P	P	M	42			42					
	17-42		P												
16-55		X	X	P	P	M	55		55						
	17-55	X	X												
16-99		X	X	P	P	I	23				21	2			
	17-99	X	X												
18-11		X	X	P	P	II	11					11			
	19-11	X	X	P	P										
18-28		X	X	P	P	I	28				26	2			
	19-28	X	P												
18-30		X	X	P		I	30				29	1			
	19-30	X	P												
18-32		X	X	P	P	I	32				32				
	19-32	X	X	P	P										
18-35			X	P	P	M	66	66							
	19-35		X	P	P										
18-53		X	X			M	53			53					
	19-53		P												
18-66		X	X	P	P	M	66		66						
	19-66		X	P	P										
	19-67	X	3			M	67		67						
18-68			2			I	18					18			
	19-68		3												
18-96			2			I	9						9		
20-1			X	P	P	M	79		79						
	21-1		X												
20-2			X			M	65			65					
	21-2		P												
20-11			2			I	11						11		
	21-11		2												
20-16		X	X	P	P	II	16					16			
	21-16	X	X	P	P										
	21-24	X				I	24				24				
	21-25	X				I	25				25				

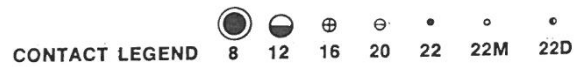
(P) Pin inserts only (check factory for socket availability)
 (S) Socket inserts only (check factory for pin availability)
 (2) Not tooled for RP or O2RE
 (3) Pin insert only, not tooled for RP or O2RE (check factory for availability)
 *Y is same as H with interfacial seal
 ††Coax contacts only

JT/LJT insert arrangements

black arrangements — JT or LJT
green arrangements — JT only
orange arrangements — LJT only

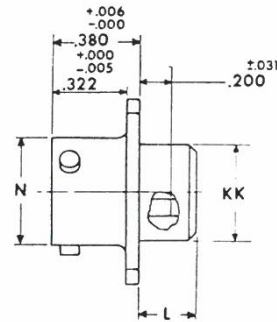
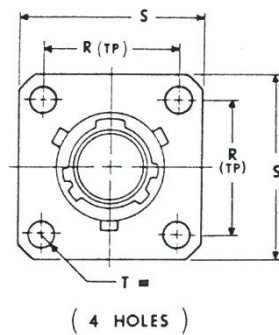


front face of pin inserts illustrated



JT – Crimp JT02R (MS27499) box mounting receptacle

J1 = MS27499E14F35SB
 J2 = MS27499E14F35SA
 J3 = MS27499E12F98P



- *JT02RE-XX-XXX (MS27499E)
- **JTS02RE-XX-XXX (MS27504E)
- ***JTN02RE-XX-XXX
- *JT02RP-XX-XXX
- **JTS02RP-XX-XXX
- ***JTN02RP-XX-XXX

⊕ .005 DIA

- *To complete order number see page 52.
- **High temperature version, to complete order number see page 52.
- ***Clear iridite finish (gold color), N₂O₄ resistant, to complete order number see page 52.

J3 ———
 J1, J2 ———

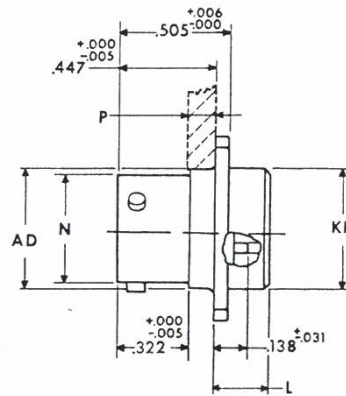
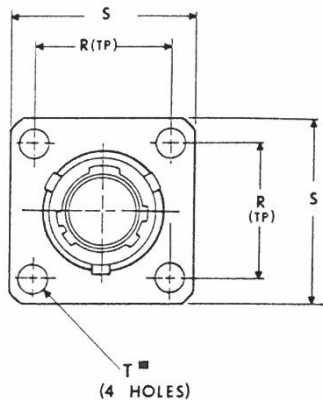
Shell Size	L Max.	KK Max.	N +.001 -.005	S ±.016	R (TP)	T ±.005
8	.286	.438	.473	.812	.594	.120
10	.286	.563	.590	.938	.719	.120
12	.286	.688	.750	1.031	.812	.120
14	.286	.813	.875	1.125	.906	.120
16	.286	.938	1.000	1.219	.969	.120
18	.286	1.047	1.125	1.312	1.062	.120
20	.286	1.172	1.250	1.438	1.156	.120
22	.286	1.297	1.375	1.562	1.250	.120
24	.286	1.422	1.500	1.688	1.375	.147

All dimensions for reference only

NOTE: For applications requiring an environmental seal please refer to JT00R, see page 10.

JT – Crimp JTP02R (MS27508) box mounting receptacle (back panel mounting)

J4 = JTP02RE-10-35P
(MS27508)



- * JTP02RE-XX-XXX (MS27508E)
- ** JTPN02RE-XX-XXX
- *** JTPS02RE-XX-XXX
- * JTP02RP-XX-XXX
- ** JTPN02RP-XX-XXX
- *** JTPS02RP-XX-XXX

⊕ .005 DIA Ⓜ

- *To complete order number see page 52.
- **High temperature version, to complete order number see page 52.
- ***Clear iridite finish (gold color), N_2O_4 resistant, to complete order number see page 52.

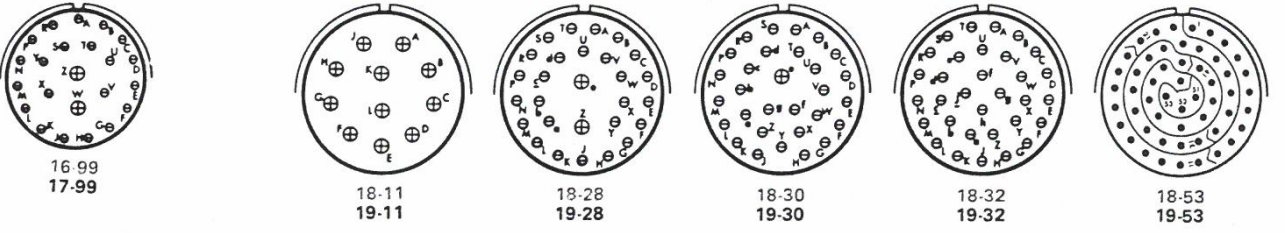
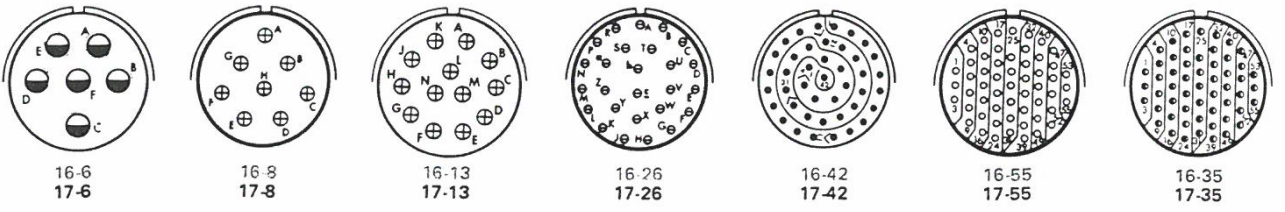
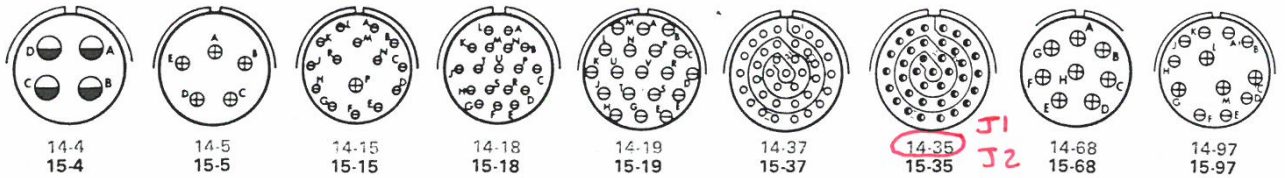
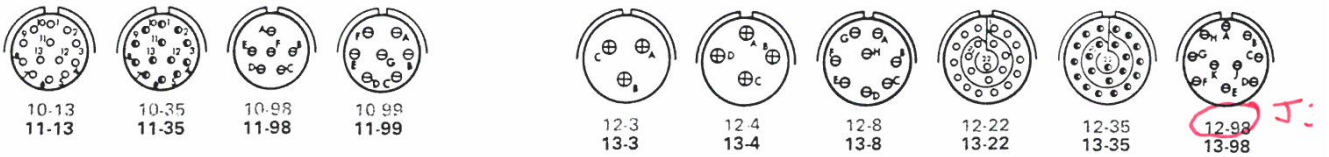
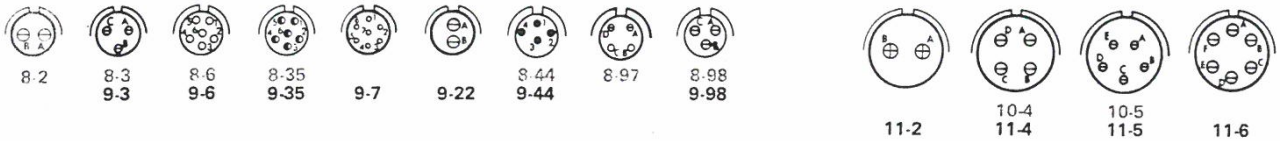
J4

Shell Size	N Dia. $+0.001$ -0.005	R (TP)	S ± 0.016	L Max.	AD Dia. ± 0.005	T Dia. ± 0.005	P Max. Panel Thickness	KK Max.
8	.473	.594	.812	.225	.516	.120	.147	.531
10	.590	.719	.938	.225	.633	.120	.152	.656
12	.750	.812	1.031	.225	.802	.120	.152	.828
14	.875	.906	1.125	.225	.927	.120	.152	.953
16	1.000	.969	1.219	.225	1.052	.120	.152	1.078
18	1.125	1.062	1.312	.225	1.177	.120	.152	1.203
20	1.250	1.156	1.438	.225	1.302	.120	.179	1.328
22	1.375	1.250	1.562	.225	1.427	.120	.179	1.453
24	1.500	1.375	1.688	.225	1.552	.147	.169	1.578

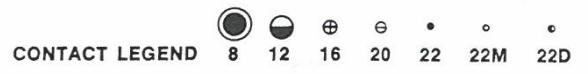
All dimensions for reference only

JT/LJT insert arrangements

black arrangements — JT or LJT
green arrangements — JT only
orange arrangements — LJT only



front face of pin inserts illustrated



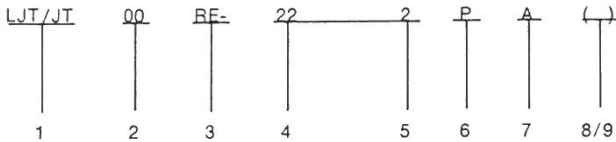
JT/LJT

how to order

PROPRIETARY PART NUMBER

To more easily illustrate ordering procedure, part number JT00RE-22-2PA () is shown as follows:

PART NUMBER



See code below:

1. Connector Type:

- JT designates standard Junior Tri-Lock Connector, LJT designates long Junior Tri-Lock Connector
- LJTS/JTS designates high temperature connector
- LJTN/JTN designates chemical and fuel resistant
- JTL designates Pygmy mounting dimensions
- JTLN designates Pygmy mounting dimensions—chemical resistant
- JTLS designates Pygmy mounting dimensions—high temperature
- LJTP/JTP designates back panel mounted
- LJTPN/JTPN designates back panel mounted — chemical resistant
- LJTSP/JTSP designates back panel mounted — high temperature
- JTG* designates plug with grounding fingers
- JTNG* designates plug with grounding fingers — chemical resistant

*Grounding fingers standard on all LJT plugs.

2. Shell Style:

- 00 designates wall mount receptacle
- 01 designates line mount receptacle
- 02 designates box mount receptacle
- 06 designates straight plug
- 07 designates jam nut receptacle
- 08 designates 90-degree plug
- I designates solder mount receptacle — hermetic

3. Service Class:

- "P" for potting applications — These connectors are supplied with a potting boot.† All shells are designed with integral features to retain potting boots.†
- "A" for general duty applications — Threaded rear design.† Can be supplied with strain relief "A (SR)."
- "C" for pressurized applications. Threaded rear design.† Can be supplied with strain relief "C (SR)."
- "H" for hermetic applications — Fused compression glass sealed inserts. Leakage rate less than .01 micron cu. ft./hr. (1 x 10⁻⁷ cc/sec.) at 15 psi differential.
- "Y" same as "H" with interfacial seal.
- "T" for MS27599A applications — General duty — pressurized (receptacles only).
- "RP" for potting crimp applications — Supplied with spacer grommet and potting boot.†

"RE" for environmental crimp applications — Supplied with a grommet and compression nut.† Can be supplied with strain relief integral with compression nut "RE (SR)." (JT Series only.)

"RT" for environmental applications — Supplied without rear accessories. Design provides serrations on rear threads of shells.

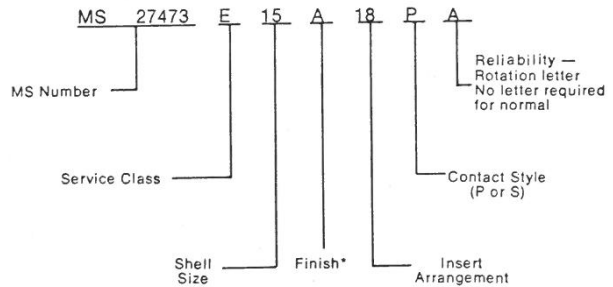
For additional information defining complete description of service class, consult factory.

4. JT shell sizes available from 8 through 24. LJT shell sizes available from 9 through 25. (Page 4 through 8)
5. 22-2 designates insert arrangement. Refer to following pages for additional insert patterns. (Page 6 through 8)
6. P designates pin contacts. S for socket contacts.
7. A designates a rotated connector assembly. Other basic rotations are B, C, and D. No letter required for normal (no rotation) position. (Page 4)
8. SR designates a strain relief clamp. Strain reliefs are available only on A, C, and RE class connectors.
9. Finish variation suffix.

†Not applicable to box mounting style.

Finish	Finish Suffix	Finish plus SR Suffix
Cadmium Plated Nickel Base		(SR)
Bright Cadmium	(001)	(304)
Olive Drab Cadmium Plate	(003)	(301)
Grey Anodize	(004)	(382)
Anodic Coating (Alumilite)	(005)	(300)
Bright Nickel	(009)	(362)
Chromate Treated (Iridite 14-2)	(011)	(344)
Olive Drab Cadmium Plate Nickel Base	(014)	(386)

MILITARY TYPES



*For finish variations, see finish data. (Page 3)
For MS depictions and dimensional data see applicable MIL-Spec. (MIL-C-38999, MIL-C-27599).

Bendix Federal Vendor Identification/FSCM 77820

JT/LJT specifications

Contact Rating

Contact Size	Test Current		Maximum Millivolt Drop Crimp	Maximum Millivolt Drop Solder	
	Standard	Hermetic		Standard	Hermetic
22D	5		40		
22	5	3	40	20	85
20	7.5	5	35	20	60
16	13	10	25	20	85
12	23	17	25		85

Contact Size	CRIMP WELL DATA		SOLDER WELL DATA	
	Well Diameter	Nominal Well Depth	Well Diameter	Nominal Well Depth
22M	.029 ±.001	.141	.029 +.004 -.000	.094
22D	.0345 ±.0010	.141		
22	.0365 ±.0010	.141	.036 +.004 -.000	.094
20	.047 ±.001	.209	.044 +.004 -.000	.125
16	.067 ±.001	.209	.078 +.004 -.002	.141
12	.100 ±.002	.209		

Service Rating*

Service Rating	Suggested Operating Voltage (Sea Level)		Test Voltage (Sea Level)	Test Voltage 50,000 Ft.	Test Voltage 70,000 Ft.	Test Voltage 110,000 Ft.
	AC (RMS)	DC				
M	400	550	1300 VRMS	550 VRMS	350 VRMS	200 VRMS
I	600	850	1800 VRMS	600 VRMS	400 VRMS	200 VRMS
II	900	1250	2300 VRMS	800 VRMS	500 VRMS	200 VRMS

*Please note that the establishment of electrical safety factors is left entirely in the designer's hands, since he is in the best position to know what peak voltages, switching surges, transients, etc., can be expected in a particular circuit.

Finish Data

Aluminum Shell Components Non-Hermetic				
Finish	Suffix		Indicated Finish Standard for JT Types Listed Below	Standard for LJT Types Listed Below
	Military	Proprietary		
Cadmium Plated Nickel Base	MS (A)		JT/JTG/JTL/JTP	LJT/LJTP
Bright Cadmium		(001)		
Olive Drab Cadmium Plate		(003)		
Grey Anodize		(004)		
Anodic Coating (Alumilite)	MS (C)	(005)	JTS/JTPS/JTLS	LJTPS/LJTS
Bright Nickel		(009)		
Chromate Treated (Iridite 14-2)		(011)	JTN/JTPN/JTLN	LJTN/LJTPN
Olive Drab Cadmium Plate Nickel Base	MS (B)	(014)		
Electroless Nickel	MS (F)	(023)		

Hermetic Connectors				
Material/Finish	Suffix		Indicated Finish Standard for JT Types Listed Below	Indicated Finish Standard for LJT Types Listed Below
	Military	Proprietary		
Carbon Steel Shell Tin Plated Shell and Contacts	MS (D)		JT()H/JT()Y JTL()H/JTL()Y	LJT()Y/LJT()H
Carbon Steel Shell Gold Plated Shell and Contacts		*(101)		
Stainless Steel Shell	MS (E)	(150)	JTS()Y JTLS()Y	LJTS()Y

*Suffix (101) may be used for non hermetic types from standard finish column; contacts only will be 100 millionths inch minimum gold plate. These finishes are available on other JT and LJT connectors. Contact the factory for additional variations.

May 6, 1988
NRS Mil Connectors

Part Number	H/R	Delivery	Hall-Mark	Delivery	Time	Delivery
***** MS27499E12F98P	*****	*****	*****	*****	*****	*****
	\$22.71	1 Week	\$21.68	18 Weeks	\$26.05	Stock
JTP02RE-10-35P	\$21.58	14 Weeks	\$20.67	18 Weeks	\$23.85	4 Weeks
MS27499E14F355B	\$30.77	18 Weeks	\$29.13	18 Weeks	\$26.25	Stock
MS27499E14F355A	\$30.77	8 Weeks	\$29.15	18 Weeks	\$29.35	Stock

21 Jun 88

R-0223 Modems
Pax River
Rear Panel Connectors

Conn.No.	Pin	Signal	to Chassis
J1	7	CH1 Undetected Mk. Out	TB1-5
	9	CH1 Undetected Sp. Out	TB1-6
	12	CH1 Analog Gnd	TB1-11
	20	CH2 Digital Data In	TB2-7
	22	CH1 Digital Data Out(RS232)	TB1-7
	23	CH1 Digital Data Out(MIL188)	TB1-8
	24	CH2 Analog Gnd	TB2-11
	21	MIDBIT Clock	TB1-3
	36	CH2 Analog Gnd	TB2-12
J1= Bendix MS27499E14F35SB			
J2	10	CH1 FSK In	TB1-9
	12	CH1 FSK In	TB1-10
	1	CH2 FSK Out	TB2-9
	3	CH2 FSK Out	TB2-10
J2= Bendix MS27499E14F35SA			
J3	A	Gnd	Line Cord Grn/Yel
	D	Neutral	Line Cord Blue
	K	Hot	Line Cord Brn
J3= Bendix MS27499E12F98P			
J4	1	Remote Data In	J5-1
	2	Remote CTS	J5-3
	3	Data Out	J5-2
	4	RTS	J5-5
	5	CTS	J5-4
	6	Gnd	J5-7
J4= Bendix JTPO2RE-10-35P			

(MS27508 E10A35P)

HAL COMMUNICATIONS CORP.
 ST-8000A MS CONNECTORS
 DECEMBER 11, 1990

MSCON1.WK1

ST-8000A CONNECTOR	J1	J2	J3	J4	J5

USAF SPECIFICATION:					
Use	Data I/O	Audio I/O	AC Power	Remote Control	Diversity (Optional)
Specified P/N	MS27508E14F35SB	MS27508E14F35SA	MS27472E12F98P	MS27508E10F35P	MS27508E10F35S
Connector Type	BOX MTG PLUG - Int	BOX MTG PLUG - Int	WALL MTG RECPT	BOX MTG PLUG - Int	BOX MTG PLUG - Int
Cable Clamp	N/R	N/R	MS27506F12-2	N/R	N/R
No. of Pins	37 (Socket)	37 (Socket)	10 (Pin)	13 (Pin)	13 (Socket)
Contact Size	No. 22D	No. 22D	No. 20	No. 22D	No. 22D
Current Rating	5 Amps	5 Amps	7.5 Amps	5 Amps	5 Amps
Service Rating	"M"	"M"	"I"	"M"	"M"
Test Voltage	1300 VRMS	1300 VRMS	1000 VRMS	1300 VRMS	1300 VRMS
Plating	Electroless Nickel	Electroless Nickel	Electroless Nickel	Electroless Nickel	Electroless Nickel
MATING CONNECTOR:					
Mating Cable Conn	MS27473E14F35PB	MS27473E14F35PA	MS27473E12F98S	MS27473E10F35S	MS27473E12F98P
Cable Clamp	MS27506F14-2	MS27506F14-2	MS27506F12-2	MS27506F10-2	MS27506F10-2
JT06RE (Incl Clamp)	JT06RE-14-35PB(SR)	JT06RE-14-35PA(SR)	JT06RE-12-98S(SR)	JT06RE-10-35S(SR)	JT06RE-10-35P(SR)
No. of Pins	37 (Socket)	37 (Socket)	10 (Pin)	13 (Pin)	13 (Socket)
Contact Size	No. 22D	No. 22D	No. 20	No. 22D	No. 22D
CRIMP TOOLING					
Crimp Tool	MS3198-1	MS3198-1	MS3198-1	MS3198-1	MS3198-1
Die (Socket)	MS3198-6P	MS3198-6P	MS3198-9P	MS3198-6P	MS3198-6P
Die (Pin)	MS3198-8P	MS3198-8P	MS3198-9P	MS3198-8P	MS3198-8P
MIL SPEC	MIL-C-38999	MIL-C-38999	MIL-C-38999	MIL-C-38999	MIL-C-38999
	Series II	Series II	Series II	Series II	Series II
QPL Sources	Amphenol, Bendix,	Amphenol, Bendix,	Amphenol, Bendix,	Amphenol, Bendix,	Amphenol, Bendix,
QPL-38999-29	ITT, Cannon,	ITT, Cannon,	ITT, Cannon,	ITT, Cannon,	ITT, Cannon,
	Plessey, Matrix	Plessey, Matrix	Plessey, Matrix	Plessey, Matrix	Plessey, Matrix

Electrical Connectors

2110



**Electrical
Components
Division**

This publication is intended to illustrate and briefly describe the connector product line of The Bendix Corporation, Electrical Components Division. All connectors are designed and produced in accordance with exacting engineering, manufacturing and quality requirements, and are backed by the reputation and expertise of the Division. Each type of connector is available in a variety of configurations.

The Connector Selection Guide is intended to assist in determining the general type of connector required by the user, and is arranged both by industry and basic connector characteristics. Once a type of connector is selected, a short description can then be found in the body of the publication.

Detailed information concerning any particular connector type may be found in the catalog referenced after each description. To obtain these catalogs, or for further information regarding electrical connectors, contact the Electrical Components Division Sales Office nearest you. The enclosed card has also been prepared to assist in obtaining desired connector literature.

Connector Selection Guide

Bendix Connector Style	Cylindrical														Rectangular				Cyl. or Rect.
	Heavy Duty		Miniature				Subminiature								PCB	Rack & Panel	ARINC	Filter	
	AN/MS	QWLD	PT/MS	PT-CE	PT-SE & MS	JT/MS	JT-RE & MS	LJT/MS	LJT/RE & MS	SJT	TRI-START	AQUACON	BREAKAWAY	B ³ LOW MATING FORCE					
Industry	AN/MS	QWLD	PT/MS	PT-CE	PT-SE & MS	JT/MS	JT-RE & MS	LJT/MS	LJT/RE & MS	SJT	TRI-START	AQUACON	BREAKAWAY	B ³ LOW MATING FORCE	PRINTED CIRCUIT BOARD	RACK AND PANEL	ARINC TYPE	FILTER	
MARINE/GEOPHYSICAL																			
Military	•	•	•	•		•							•		•	•			•
Underwater		•											•		•				
Pleasure Craft			•	•															
EXPLORATION	•	•	•	•		•	•			•		•		•	•				•
EDP																			
Numerical Control	•		•			•									•	•	•	•	•
Computers	•				•		•								•	•	•	•	•
AEROSPACE																			
Aircraft	•		•	•	•	•	•	•	•	•	•	•	•	•	•	•	•	•	•
Missiles			•			•	•	•	•	•	•	•	•	•	•	•	•	•	•
Avionics	•		•	•	•	•	•	•	•	•	•	•	•	•	•	•	•	•	•
Grd Support	•	•	•	•	•	•	•	•	•	•	•	•	•	•	•	•	•	•	•
Ordnance	•	•	•	•	•	•	•	•	•	•	•	•	•	•	•	•	•	•	•
Spacecraft						•	•	•	•		•		•	•	•			•	•
COMMUNICATIONS																			
Radio	•	•	•	•	•	•	•	•	•	•	•	•		•	•	•	•	•	•
Radio/Telephone	•		•	•	•	•	•	•	•	•	•	•		•	•	•	•	•	•
Broadcasting						•	•			•				•	•	•	•	•	•
INDUSTRIAL																			
Machine Tools	•	•	•	•	•	•	•								•	•	•	•	•
Instrumentation/Automation	•	•	•	•	•	•	•	•			•			•	•	•	•	•	•
Power Distribution	•	•	•	•	•	•										•	•	•	•
TRANSPORTATION																			
Motor Vehicles	•		•		•											•	•	•	•
Railroads	•	•	•	•	•										•	•	•	•	•
Recreational Vehicles					•										•	•	•	•	•
MEDICAL					•	•					•				•	•	•	•	•
INSTRUMENTATION			•							•					•	•	•	•	•
NUCLEAR		•				•	•	•	•	•	•	•		•	•	•	•	•	•
Covered by Catalog Number	12-040 12-021 12-020	12-052	12-070	12-070	12-070	12-090	12-090	12-090	12-090	12-091	12-092	12-140	SL-102	SL-305 SL-311	12-033	12-034	12-034	12-120	

	CYLINDRICAL												RECTANGULAR						
	Subminiature				Miniature				Special				PCB	Rack & Panel	ARINC	B ³			
	JT	LJT	SJT	Tri-Start	PT	PTS-DR	PC	AN/MS	BT	Power	Aquacon	Filter							
RATINGS																			
max circuits			128			61		104	55	104	128		240	102	106	400			
contact/awg size			28-12			20-12		16-0	16-4	20-4/0	24-12		24-20	26-4	22	28-22			
max temp (°F)			392		257	392	257	257	1000	257						257			
PHYSICAL																			
coupling B-bayonet																			
T-threaded	B	B	B	T	B	B	T	T	T	T	T	BT							
wire termination																			
B-wire bundle	BJ	BJ	BJ	BJ	BJ	BJ	BJ	BJ	B	J	J								
J-jacketed cable																			
SPECIFICATIONS																			
MIL approved	•	•	•	•	•	•	•	•	•	•	•	•	•	•	•	•	•	•	•
commercial	•	•	•	•	•	•	•	•	•	•	•	•	•	•	•	•	•	•	•

RF CONNECTORS are available from our Microwave Sales Department for any industrial, commercial, military or private enterprise imaginable. Consult the Sidney plant for our complete literature on Bendix' Square-Cut line of RF connectors.

CONTENTS

	page
Connector Selection Guide	1
Contents	2
subminiature cylindrical	3
miniature cylindrical	4
cylindrical	6
commercial aircraft cylindrical	7
heavy duty cylindrical	8
special purpose cylindrical	9
breakaway	
aquacon immersible/oceanic	
filter	
nuclear	
printed circuit board	10
modular low mating force	
printed circuit board	11
low mating force	
printed circuit board	12
printed circuit board/rectangular	13
centre	
rack and panel/ARINC	
rectangular	14
rack and panel	
MIL spec	
special products	15
shorting plugs	
coaxial contacts	
application tooling	
custom cabling	
RF connectors	16
MIL spec	

Subminiature Cylindrical

MIL-C-38999, MIL-C-27599

DESIGN CHARACTERISTICS

- **Lightweight, compact, hi-contact density** cylindrical
- **Operating voltage to 900 VAC (RMS)** at sea level
- **Environmental resistant**
- **Quick positive coupling** assured by three point bayonet coupling system
- **Visual confirmation** of complete coupling
- **Eliminates mismatching** by the use of five key/keyway guide design
- **Error proof alternate positioning** insured by rotation of master keyway location during machining of shell

CUSTOMER OPTIONS

- **Five mounting styles** provide maximum flexibility in product design
- **Nine shell sizes** - 8 through 24
- **Fifty-six different contact arrangements** - to accommodate minimum of three circuits to a maximum of one hundred and twenty-eight circuits
- **Solder or crimp** rear release contacts
- **Size 22D to 12 contacts** accepting wire sizes 28 through 12 AWG
- **Eight finishes** provide protection in a wide variety of corrosive and mechanical environments
- **Coaxial (shielded) contacts** optional
- **Hermetic seal (glass fusion) receptacles**

JT, MS-JT

1. For applications requiring maximum weight/space savings and reliability. Also available in designs approved to MIL-C-38999 Series II (crimp termination) and MIL-C-27599 Series II (solder termination).

Catalog 12-090

LJT

2. Popular 100% "scoop-proof" (recessed pins) version of the JT family. Shell design is such that contacts cannot be bent or damaged by improper mating. The LJT offers maximum contact protection against bending and user aggressiveness. Also available in designs approved to MIL-C-38999 Series I (crimp termination) and MIL-C-27599 Series I (solder termination).

Catalog 12-090

SJT

3. A further expansion of the basic JT family, incorporating the LJT 100% scoop-proof feature and standard mounting dimensions of JT and Pygmy types.

Catalog 12-091

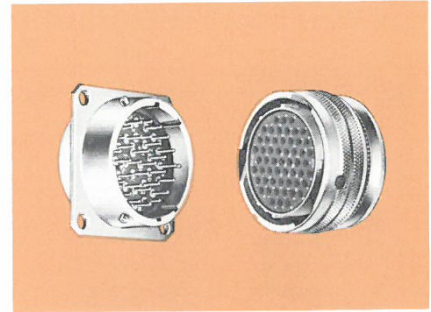
TRI-START*

4. Designed for general duty as well as severe environmental applications the Tri-Start completely mates in one full turn. Lockwiring is eliminated in this self locking, quick coupling connector. Superior EMI shielding is achieved through the combination of grounding fingers and solid metal to metal mating. Universal mounting holes for front or rear mounting, and locksmith metal keying to aid in blind mating, come with the Tri-Start. Potential contact damage is minimized in this 100% "scoop proof" MIL-C-38999 Series III connector. Threaded Coupling.

* U.S. Pat. No. 4,109,990

Catalog 12-092

1



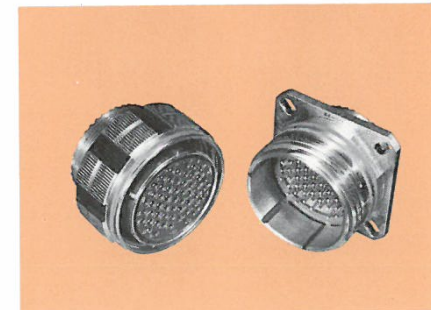
2



3

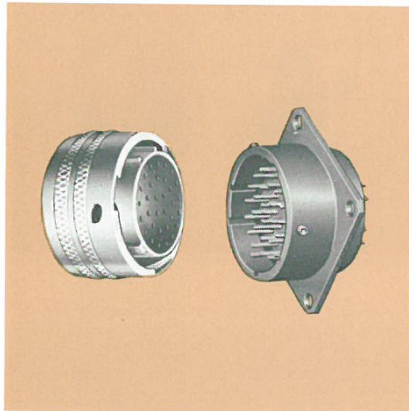


4



Miniature Cylindrical (Pygmy)

MIL-C-26482, MIL-C-83723



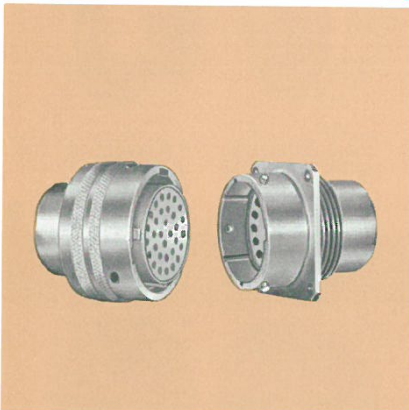
1

DESIGN CHARACTERISTICS

- **Medium size**, widely used cylindrical
- **Operating voltage to 900 VAC (RMS)** at sea level
- **Environmental resistant**
- **Quick positive coupling** assured by three point bayonet coupling system
- **Visual confirmation** of complete coupling
- **Eliminates mismatching** by the use of five key/keyway design

CUSTOMER OPTIONS

- **Seven mounting styles** provide optimum flexibility in product design
- **Ten shell sizes** - 6 through 24
- **Solder or crimp** front and rear release contacts
- **Sizes 20 through 12 contacts** accept wire sizes 20 through 12 AWG
- **Six finishes** provide protection in a wide variety of corrosive and mechanical environments
- **Coaxial (shielded) and thermocouple contact** options
- **Hermetic seal (glass fusion) receptacles**
- **Threaded coupling series** available
- **Alternate positioning**

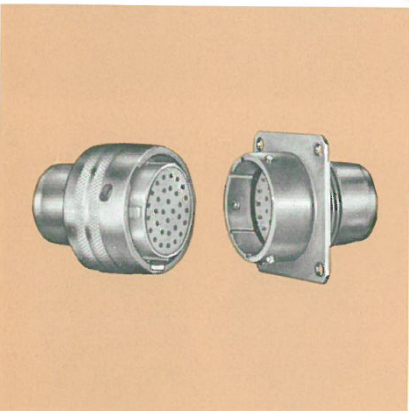


2

PT, MS-PT

1. Basis of popular "Pygmy" line, incorporating bayonet coupling and **solder** contacts. Also available in MS approved designs to MIL-C-26482, Service Classes E, F and P.

Catalog 12-070



3

PT-SE, MS-PT-SE

2. A derivative of the Pygmy line incorporating **crimp**, front release removable contacts with a metal clip retention system. The MS version is approved to MIL-C-26482 with MIL-C-23216 geometry contacts.

Catalog 12-070

PT-CE

3. Lowest cost Pygmy type connector, featuring **crimp**, front release removable contacts and a voidless one piece insert and grommet assembly offering continuous dielectric separation between contacts.

Catalog 12-070

PTS-DR, MS-PTS-DR

4. A series featuring the latest innovations in miniature cylindrical connector technology including **crimp** rear-release removable contacts, dielectric retention, electroless nickel plate, poly (amide-imide) inserts with "hard faced" closed entry socket design, and temperature capabilities to 392°F. Also obtainable as MS versions in accordance with MIL-C-26482 and MIL-C-83723.

Catalog 12-076

SP

5. **Solder** contacts and corrosion resistant hard anodic alumilite finish. Receptacles have been designed with enlarged flanges and mounting holes, providing for optimum back panel mounting.

Catalog 12-070

SP-SE, SP-CE

Features of the SP, SE and CE type connectors are merged to offer **crimp**, front release removable contacts with either metal or non-metal contact retention, in a corrosion resistant bayonet coupling design.

Catalog 12-070

PC

6. An additional derivative of the Pygmy line with double stub thread coupling, **solder** contacts and single key polarization. The series will meet the performance requirements of MIL-C-26482 and MIL-C-83723.

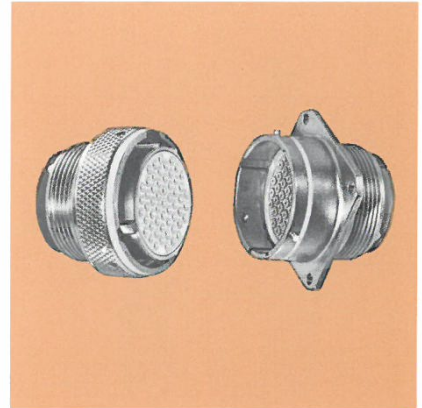
Catalog 12-070

PC-SE, PC-CE

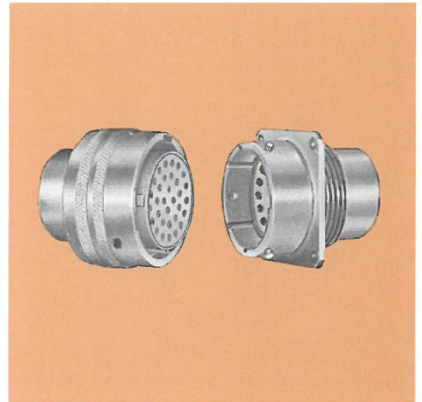
Threaded coupling and **crimp**, front release removable contacts. Engineered for applications requiring a threaded coupling and the convenience of crimp contacts.

Consult Sales Office

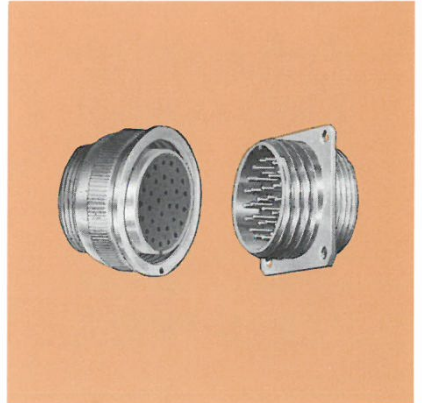
4



5



6



Cylindrical

MIL-C-5015
MIL-C-5015 modifications

1



DESIGN CHARACTERISTICS

- Medium-heavy weight, time-tested cylindrical
- Operating voltages to 3000 VAC (RMS) at sea level
- Environmental resistant
- Threaded coupling

CUSTOMER OPTIONS

- Five mounting styles in strict accordance with military specification
- Four additional styles to expand user mounting options
- Nineteen shell sizes - 8S through 48
- Two-hundred and seventy-three contact arrangements - accommodating from a minimum of one to a maximum of 104 circuits
- Solder or crimp (MS Modified only) front release contacts
- Sizes 16 to 0 contacts accepting wire sizes 16 through 0 AWG
- Coaxial (shielded) and thermocouple contact options
- Alternate positioning

MS-A, MS-C, MS-E, MS-R

1. Produced in strict accordance with MIL-C-5015. For use with open bundle wiring on airborne electrical equipment, and other environmental resistant applications.

Class A, Solid Shell - intended for general connector usage.

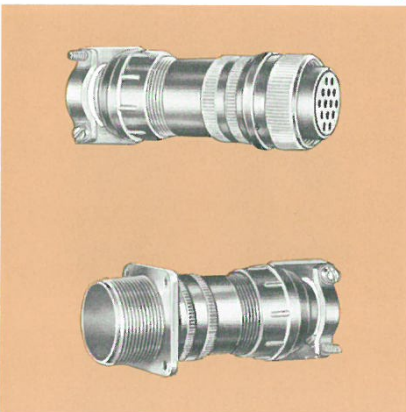
Class C, Pressurized - for use on pressurized bulkheads or pressure barriers. Unique Bendix design allows pressurization of connectors with either pin or socket contact arrangements.

Class E, Environmental Resisting - ideally suited for installations where condensation, vibration and rapid changes in pressure or temperature are considerations.

Class R, Lightweight Environmental Resisting - shorter in length and lighter in weight than Class E designs, yet offers reliable service under difficult conditions.

Catalog 12-020

2



SC-P

Similar to MIL-C-5015 cylindricals with additional insert arrangements and pre-primed inserts and potting boots.

Catalog 12-021

10-72XXX SERIES

Similar to MIL-C-5015 cylindricals with additional arrangements and axial compression type clamping nut for sealing to jacketed cable.

Catalog 12-021

10-214XXX SERIES

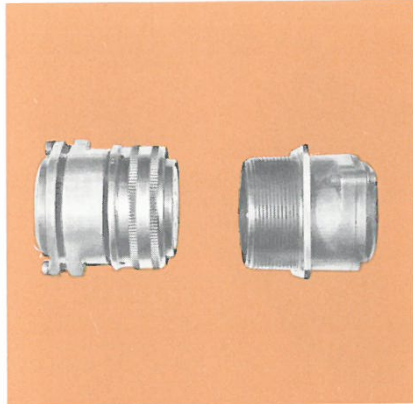
2. Similar to MIL-C-5015 cylindricals with additional insert arrangements, crimp contacts, cable accessories and clamping bars for cable sealing and strain relief on armored jacketed cable types such as MIL-C-915 and others.

Catalog 12-021

Commercial Aircraft Cylindrical

high temperature
fluid resistant

1



DESIGN CHARACTERISTICS

- Engineered for Aircraft usage, especially selected materials and configurations
- Operating voltages to 3000 VAC (RMS) at sea level
- Environmental resistant

CUSTOMER OPTIONS

- Four mounting styles compatible with airframe wiring
- Eleven shell sizes - 8S through 32
- Multiple contact arrangements - accommodating from 1 through 55 circuits
- Sizes 16 to 4 crimp contacts in materials suitable for high temperature ratings
- Stainless steel and aluminum shells to provide protection in hostile environments
- Alternate positioning

BT-M

1. Firewall connector for service where high temperature performance and direct exposure to flame are prevalent. Supplied with cable clamp for open wire bundle cabling. Continuous duty rated at 450°F.

Catalog 12-101

BT-RA

2. Firewall connector suitable for applications requiring continuous temperature operation to 1000°F. Components used also provide resistance to radiation and oxidation.

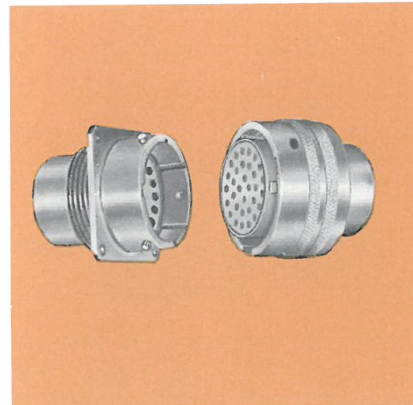
Catalog 12-101

DC

3. Approved for DC-8, DC-9 and DC-10 aircraft applications. Connectors resist corona, ozone, skydrol, synthetic oils, hydrazine, and oxidizing acids. MIL-C-26482 performance with a temperature range capability of -65° to +300°F.

Catalog 12-101

3

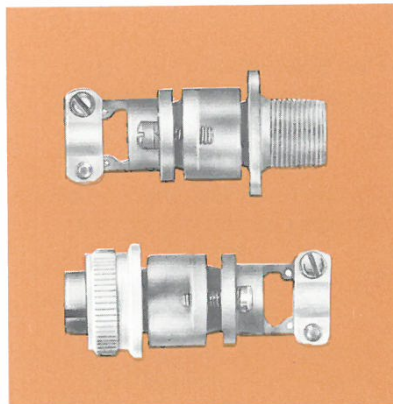


4

10-244XXX SERIES

4. Designed specifically for aircraft engine compartment applications. Operating temperature rated to 400°F, with fluid resisting components.

Catalog 12-101



Heavy Duty Cylindrical

MIL-C-22992

DESIGN CHARACTERISTICS

- Heavy duty, largest size cylindrical
- Current ratings to 200 amps
- Environmental resistant
- Quick mating, vibration resistant threaded coupling
- Easily maintainable double stub thread

CUSTOMER OPTIONS

- Nine mounting styles to accommodate power and control circuitry
- Eighteen shell sizes from 10 through 52
- Wide assortment of contact arrangements - accommodating from 1 through a maximum of 104 circuits
- Solder or crimp contacts
- Sizes 20 to 4/0 contacts accepting wire sizes 20 through 4/0 AWG
- Designed for use with jacketed cable
- Alternate positioning

CLASS "L"

1. Highly suitable for industrial or military applications and is designed to meet demands of heavy power interconnections in current ranges of 40 to 200 amps. As safety is an all important factor, the connectors are designed with a programmed coupling sequence to provide making of grounded or neutral circuits prior to mating of power circuits. At unmating, the power circuits are broken before the ground or neutral. A unique arc quencing capability also provides a positive safety feature if the connectors are inadvertently disconnected under load. A 5 key polarizing system is used to assure that circuits with incompatible power characteristics (voltage, phase and frequency) cannot be mated. Cable lay patterns have been taken into account in the design of contact arrangements to facilitate termination of large conductors. Qualified to MIL-C-22992, Class L.

Catalog 12-052

QWLD

2. Heavy duty waterproof series with 5 key polarization for power and control circuits. Qualified to MIL-C-22992.

Catalog 12-052

QWL

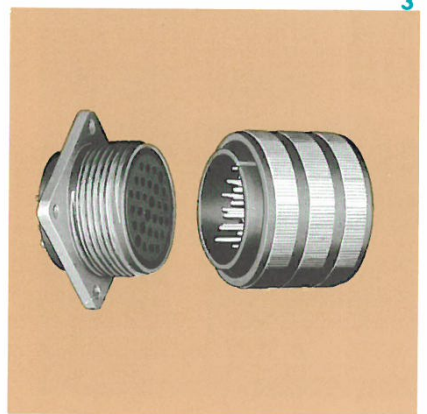
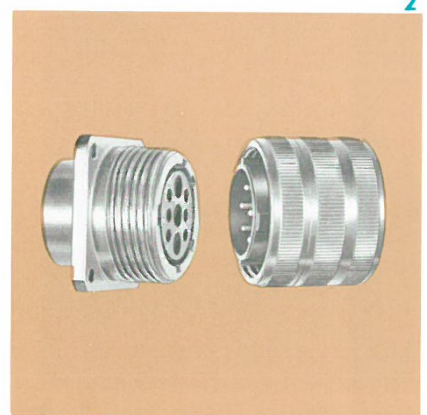
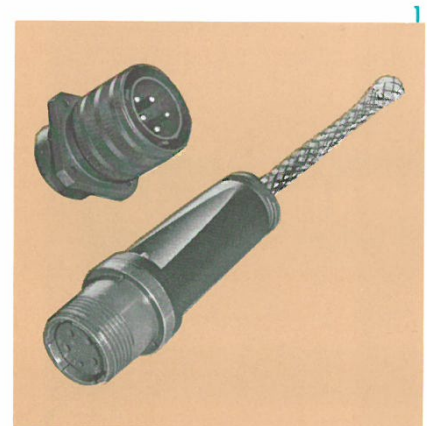
3. An additional waterproof series, but with single key polarization. A more compact heavy duty connector, meeting the performance requirements of MIL-C-22992.

Brochure L-1080

QDP

Featuring Pygmy crimp (PT-SE) inserts in QWLD type shells. Designed for applications which require heavy duty shells and finish, and higher contact density insert arrangements.

Product Data Sheet 65



Special Purpose Cylindrical

“breakaway”
aquacon
filter
nuclear

“BREAKAWAY”

1. Designed to provide quick disconnect of a connector plug and receptacle with axial pull. The “breakaway release” is available in two series, the “fail safe” which will disconnect even when not fully mated, and the “twist pull” which will disconnect only in a fully mated condition. The breakaway concept incorporates MIL-C-26482 or MIL-C-38999 receptacles and especially designed plugs with the release mechanism. Mating is accomplished in normal fashion while disconnect is by axial pull on the coupling nut (via lanyard or other means) or manual rotational unmating.

Brochure SL-102

AQUACON (IMMERSIBLE)

2. Designed for oceanic (underwater) or fluid immersion applications, offering 1500 psi capability, metal to metal coupling, “O” ring sealing, visual mating indicator, and design flexibility, at low cost. Available with hard dielectric inserts to MIL-C-38999 as the AJ Series. Threaded coupling.

Catalog 12-140

FILTER

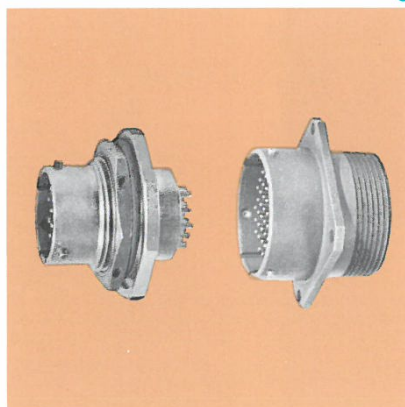
3. Designed to provide EMI protection for sensitive circuits. Each circuit is individually filtered within the connector, eliminating the need for costly and bulky exterior network filters. Filter contacts in MF, HF, VHF and UHF ranges are available in filter connectors, intermateable and intermountable with MIL-C-38999, MIL-C-27599, MIL-C-26482, MIL-C-83723, and MIL-C-5015 connectors.

Catalog 12-120

NUCLEAR

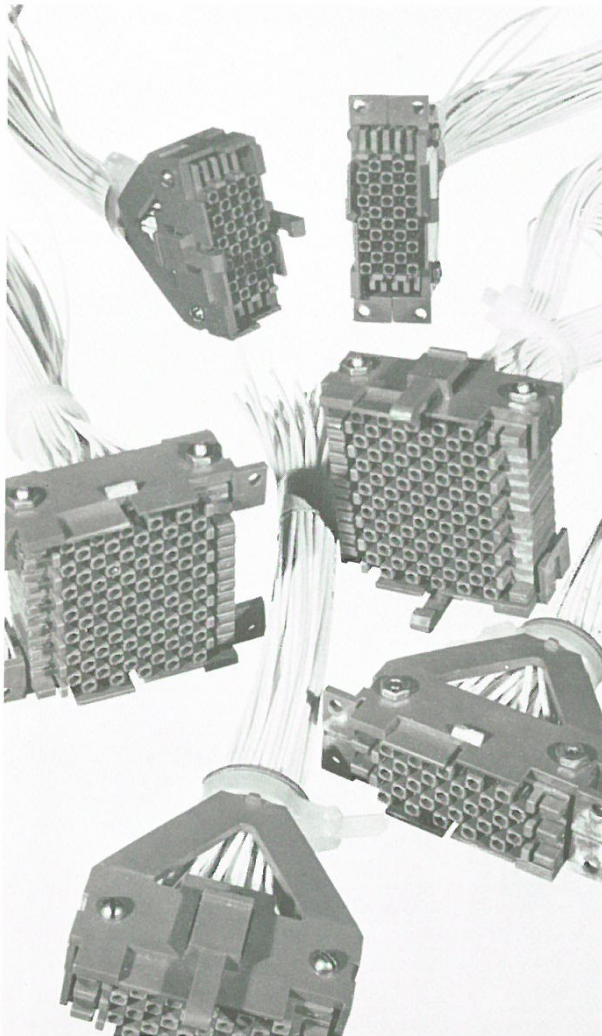
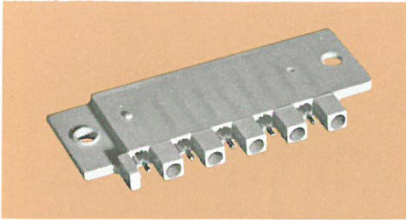
Engineering and production capabilities, as well as a committed involvement in meeting the special requirements of the industry are characteristic of our nuclear connector program. Environmental conditions including radiation, temperature, pressure and corrosion, as well as life and specification requirements, are taken into consideration in the design of nuclear-oriented connectors. Basic designs incorporate shell materials such as stainless steel and a variety of complementary insert materials including silicone, hypalon, glass and ceramics.

Consult Sidney Plant



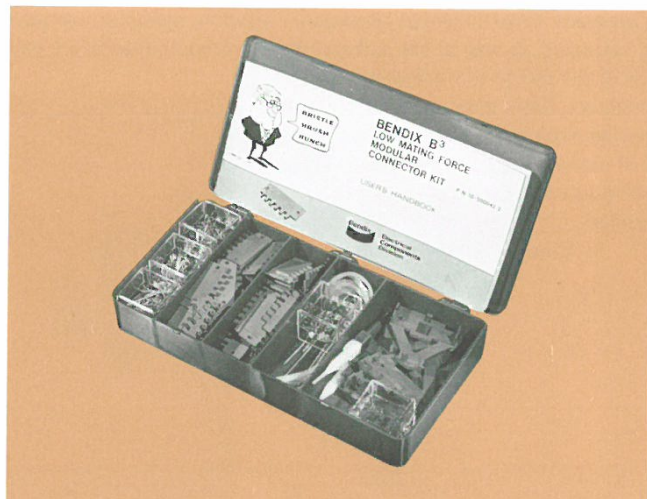
Printed Circuit Board

B³ modular "building block"
low mating force



- **FUNCTIONAL PROTOTYPE/LABORATORY TOOL**
the B³ module is intended for long term work table or lab use
rear release, rear removable, replaceable, low mating force
contacts, using standard application tools
removable, replaceable components
- **REAL FLEXIBILITY FOR THE DESIGNER/PROTOTYPYER**
build your own low mating force modular connectors
virtually unlimited combinations of X - Y axis growth, polarization, wire bundle strain relief
assemble "as you need" modular builds in Two Piece, Rack and Panel, Latchable Plug and Receptacle, or PCB Input/Output Connector configurations
low mating force interconnection innovation at a fraction of prototype cost
prototype or breadboard interconnections can be changed with a minimum of expense and lost time
crimp or PC stud termination
contacts on .100 inch center to center spacing, square grid
- **AVAILABLE IN A HANDY KIT**
to provide an inexpensive introduction to LOW MATING FORCE INTERCONNECTIONS.

Brochure SL-311



Printed Circuit Board

B³ bristle brush bunch
low mating force

DESIGN CHARACTERISTICS

- 70 to 90% reduction in mating force. Only 1/2 ounce typical contact engaging and separating forces
- High circuit count interconnections to 400 contacts per connector
- Two, three and four row patterns, 10 to 100 contacts per row, in one contact per row increments
- Over 20,000 mating cycles with Bendix B³ Bristle Brush Bunch contacts*
- 0.100 in. center to center contact spacing, square grid
- Superior electrical characteristics - redundant current paths, low constrictive resistance, stable time/life contact resistance, uniform current densities
- Serviceability - removable crimp contacts, repairable PC stud and solderless wrap contacts
- Board support structure reinforcing reduced
- High performance polyester dielectric moldings

CUSTOMER OPTIONS

- Variety of contact terminations and platings
- Accessories to suit latching, piloting and polarization variations
- Up to 256 keyed mating polarizations

MOTHER BOARD, DAUGHTER BOARD

1., 2. Two piece PCB Connector featuring crimp removable, PCB Stud or solderless wrap contacts in the MB Series and field repairable 90° PCB Stud contacts in the DB Series.

INPUT/OUTPUT

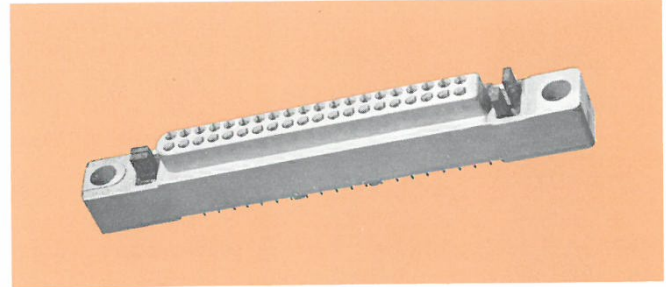
3. Rear release, rear removable crimp contacts for discrete wire cabling. I/O Connector Series mates with standard MB and PC Receptacle Series to provide external inputs/outputs.

PC

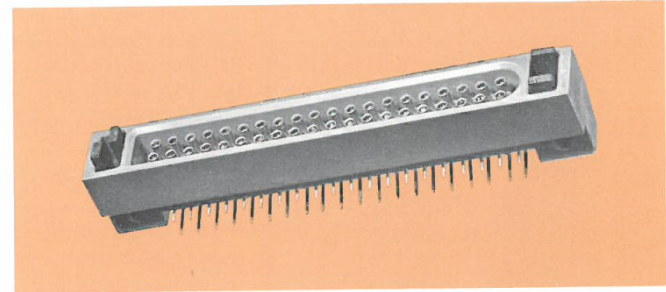
4. 90° PCB Stud contacts for side mounting on board. Mates with DB and I/O Series.

Catalog SL-305

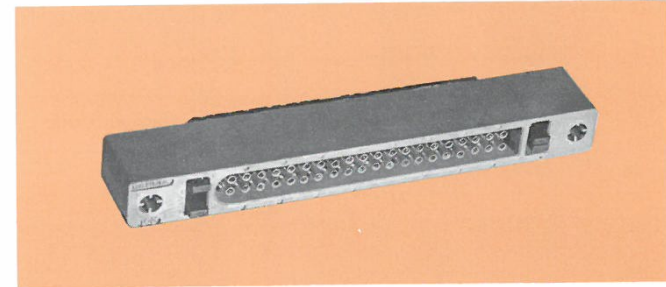
*U.S. Pat. No. 3,725,844



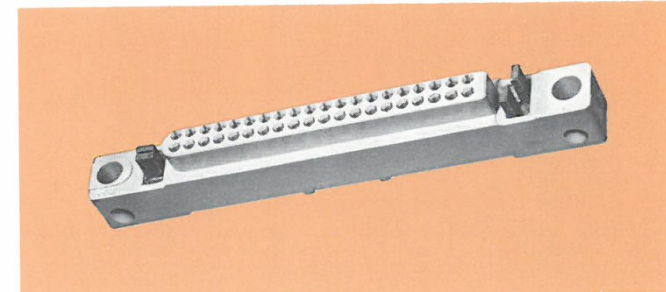
1



2



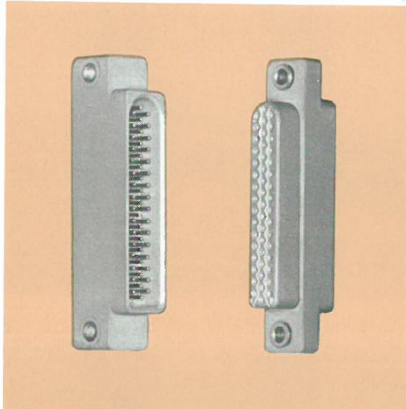
3



4

Printed Circuit Board

MIL-C-55302



1

Designed to provide reliable interconnection means with printed circuit boards. Available with a variety of contact spacings with crimp, solder or printed circuit contacts. Qualified to MIL-C-55302.

PCB90A, M55302/67-69

1. .090" center to center contact spacing, with printed circuit or crimp insertable terminations in the mother board side and crimp insertable contacts in the plug.

Catalog 12-033

PCB100A, M55302/70-71

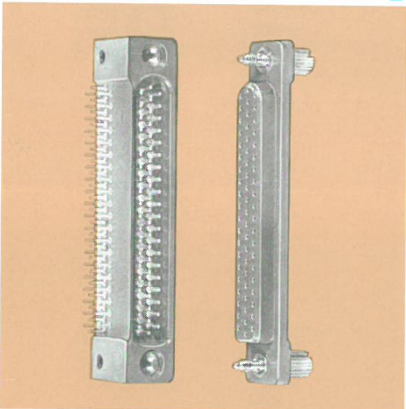
2. .100" center to center contact spacing, with 90° printed circuit contacts in the mother board side and solder or crimp contacts in the plug.

Catalog 12-033

PCB100B, M55302/76-77

3. .100" center to center contact spacing, with 90° printed circuit contacts in the daughter board side and straight closed entry sockets with optional tail lengths in the mother board. Also available with tuning fork contacts with solderless wrap terminations in mother board. Floating contacts in both plug and receptacle allow up to .010" misalignment at mating. Accessory polarization provides up to 64 possible positions.

Catalog 12-033



2

PCB100C, M55302/74-75

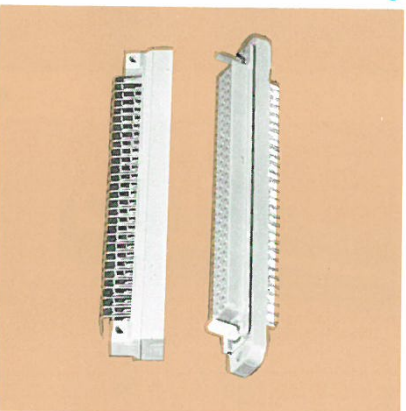
4. .100" center to center contact spacing, with 90° or straight molded in pin contacts in the receptacle, and JT/MIL-C-38999 crimp sockets in the plug. Receptacle is designed to facilitate wave soldering to the printed circuit board. Polarization devices located in each assembly provide 256 possible keying combinations.

Catalog 12-033

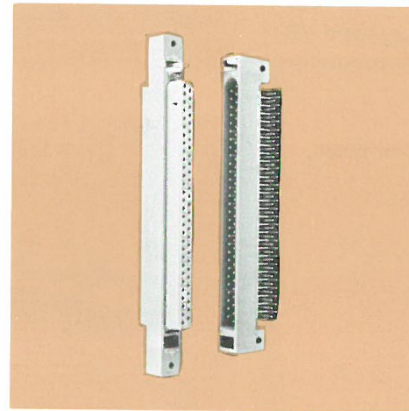
PCB150A, M55302/72-73

5. .150" center to center contact spacing, with 90° pins in the receptacle and JT/MIL-C-38999 crimp sockets in the plug. Receptacle is designed for wave soldering to the printed circuit board. Featuring an environmentally sealed plug and receptacle with 36 polarizing positions.

Catalog 12-033



3



4



5

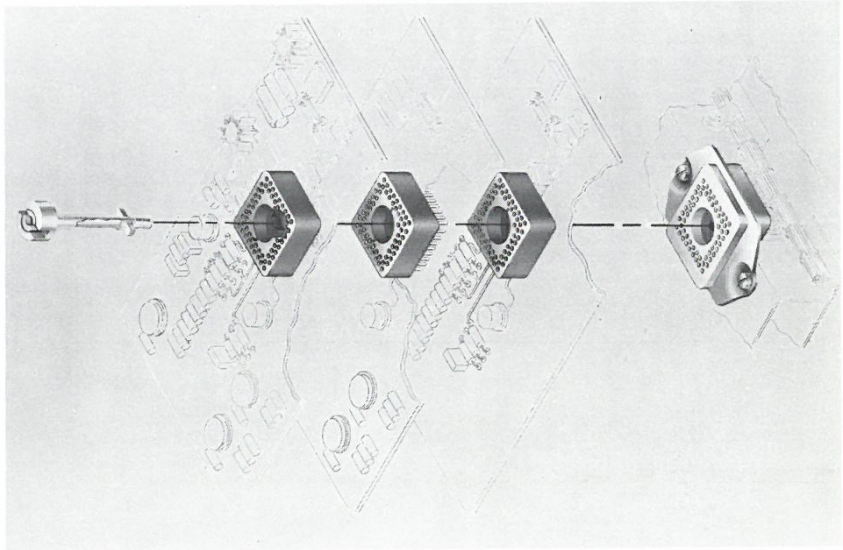
Printed Circuit Board/ Rectangular

centre, rack and panel/ARINC
(MIL-C-81659) Type

CENTRE

1. Designed to mount at or near the center of printed circuit boards to provide a greater number of electrical connections between circuit boards, shorter PCB conductor runs, eliminate crossovers, and minimize multi-layer buildups. The PCB packaging concept offered by the Centre connector provides a simple, rugged method of mounting and interconnecting boards and chassis, reduces back panel wiring, and acts as the exit/entry point for interconnections between similar connector stacks and external connectors in the system. The Centre system consists of multiple PCB connectors, a chassis connector, and module stack hold down.

Catalog 12-033



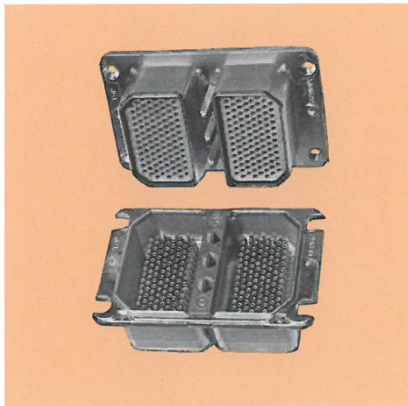
2

LPX

2. The Bendix LPX rack and panel connector features crimp, rear removable contacts and a one piece aluminum die-cast shell which is available in double and single styles. Plating on the shell is cadmium with an after treatment of yellow chromate.

LPX connectors can also be made available with field repairable, solderless wrap contacts and are intermountable and intermateable with existing ARINC and MIL-C-81659 types.

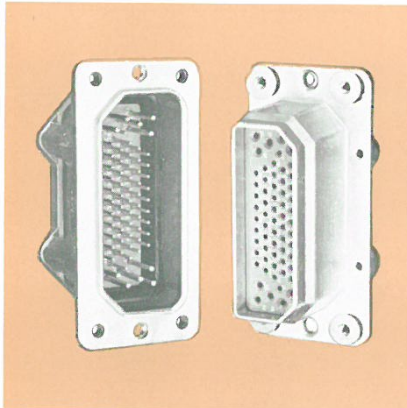
Catalog 12-034



Rectangular

rack and panel

MIL-C-21617, MIL-C-26518



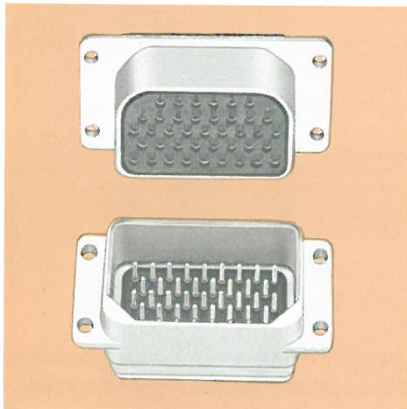
1

Designed for use when the coupling requirements of cylindrical connectors are impractical, such as blind or inaccessible mating applications. Available in a variety of shell styles and mounting options, with crimp and solder contacts in various insert arrangements.

LPSRC

1. Rack and panel connectors designed for general duty applications. Available with rear release, crimp insertable contacts and five different insert patterns. Contacts come in sizes 22 through 8 and arrangements of 24 to 133. Both plug and receptacle shells are die cast aluminum and cadmium plated with a chromate after treatment.

Catalog 12-034



2

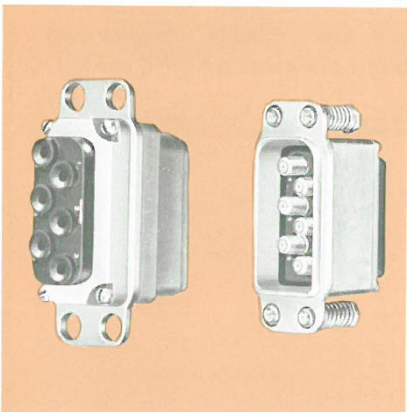
2. Intended for sliding rack applications, the SR series meets the requirements of MIL-C-21617. Contacts are solder type in sizes 20 through 4 and available in arrangements of 2 through 57. Shells are die cast aluminum and cadmium plated with a chromate after treatment.

Catalog 12-034

LE

3. Front release, rear removable contacts in rack and panel connectors of the MIL-C-26518 type. Standard crimp type contacts are available in two insert arrangements offering patterns of 52 or 102 circuit possibilities. Unique metal web receptacle shell for EMI protection available for coaxial arrangements. Grommet seal for optimum environmental performance.

Catalog 12-034



3

Special Products

shorting plugs
coaxial contacts
application tools
custom cabling

SHORTING PLUGS

1. Designed to provide specific circuit functions such as safety shorting and electrical commoning. Available as modified plugs or receptacles in all standard lines. Specifically engineered to meet individual applications.

Product Data Sheet 84

COAXIAL CONTACTS

2. Designed in crimp or solder versions to fit various RG and special cables for almost all basic multi-contact connector styles. Interchangeable with power contacts in many standard insert arrangements.

Catalog 12-130

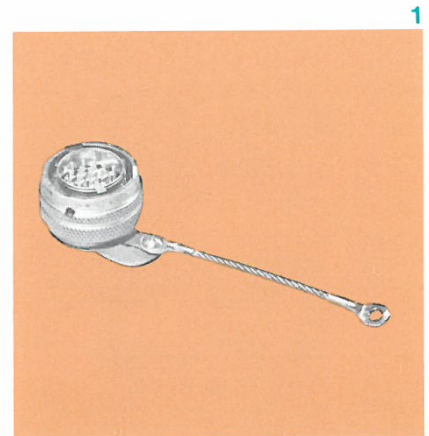
APPLICATION TOOLING

3. Crimp, insertion and removal tools for all connector styles including coax connectors. Consult catalog sections or Sidney plant.

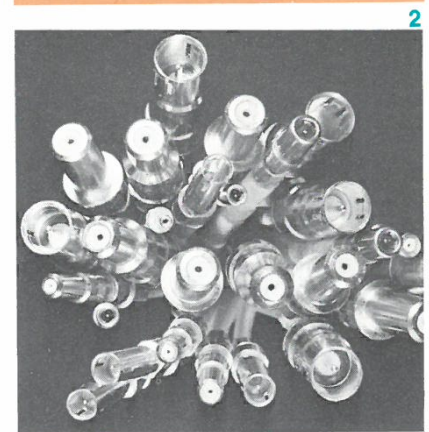
CUSTOM CABLING

4. The Electrical Components Division maintains a custom cabling department to design and manufacture high quality cabling for industrial, aerospace, oceanic and military applications. Careful consideration is given to all aspects of a particular installation, with major emphasis given to environmental, reliability and cost requirements. Experienced engineering, model shop, and production personnel; complete molding, braiding, and fabrication capabilities, and a wide variety of tooling, are available to assist you with your cabling needs. If desired, cabling mockup service can be furnished. For further information, contact the Cabling and Special Products Group at the Sidney, N. Y. Plant.

Brochure SL-317



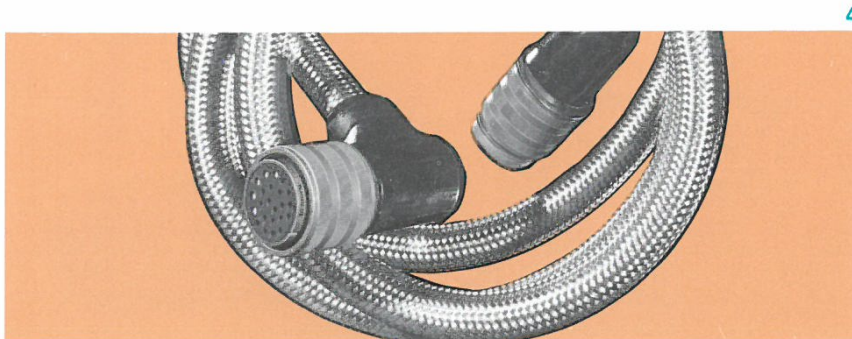
1



2



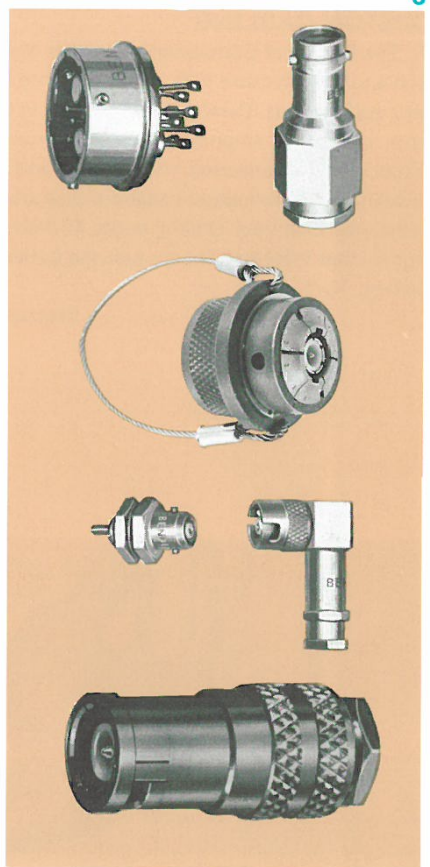
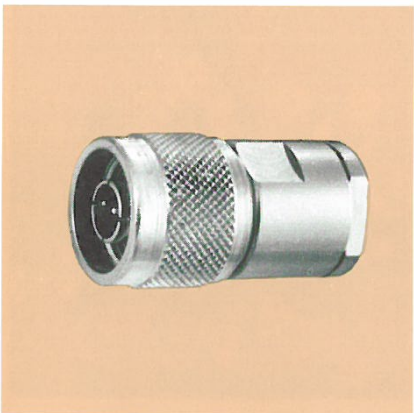
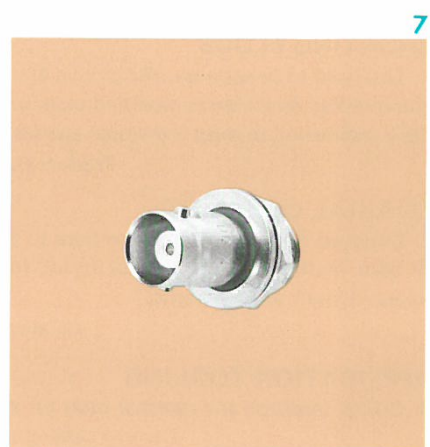
3



4

RF Connectors

MIL-C-39012, MIL-C-49142, MIL-C-25516
MIL-C-55235, MIL-A-55339



RF Connectors

MIL-C-39012, MIL-C-49142, MIL-C-25516
MIL-C-55235, MIL-A-55339

BNC, TNC SQUARE-CUT SERIES* MIL-C-39012

1. Small, lightweight and environmental characterize connectors in this series. In bayonet-lock or threaded coupling versions, the choice is yours, you get positive contact captivation and the new 30 second Square-Cut termination system. Excellent electrical performance is available to 11 GHz at temperatures to 250°C with a rated 500 volts.

Catalog 12-150

N SQUARE-CUT SERIES* MIL-C-39012

2. Designed for general purpose medium size RF cable such as RG-8/U, this weatherproof, Square-Cut terminated, threaded coupling connector has a 1500 volt rating and an 11 GHz frequency limit.

Catalog 12-150

SMA SQUARE-CUT SERIES* MIL-C-39012

3. Available in a threaded coupling and the Square-Cut termination system, these sub-miniature, light-weight connectors offer 170 to 335 volt ratings with excellent operating characteristics up to 18 GHz.

Catalog 12-150

C, SC SERIES MIL-C-39012

4. Offered in crimp-on or SQUARE-CUT versions with improved cable clamping to give positive electrical contact, these medium size bayonet-lock or threaded coupling connectors have a 50 ohm impedance and operate up to peak voltages of 1000 volts and frequencies up to 11 GHz.

TWINAX SERIES

5. Offered with bayonet-lock or threaded couplings and clamping or crimp-on hardware for twinax cable. Twinax is described as an insulated twisted pair contained in an outer shield which is limited to very low frequency signal applications because of high transmission losses above 10 MGz.

Brochure SL-326

TRIAx SERIES MIL-C-49142

6. Offered with bayonet-lock or threaded couplings and clamping or crimp-on hardware for triax cable. Triax is described as an insulated center conductor contained in two concentric outer shields, insulated from each other, providing three separate cable conductor paths.

Brochure SL-327

ISOLATED GROUND

7. Used where outer conductor must be insulated from the bulkhead or enclosure.

SPECIALS

8. • Hermetic Multi Coax Series - We manufacture custom, glass seal, multi coax connectors in standard pin arrangements to mate with our standard JT/LJT connectors or custom arrangements for your special requirements.
 - High Voltage Series - Available in bayonet-lock or threaded coupling versions where a 5000 volt rating is required.
 - Fail Safe Series - Square-Cut connectors designed with a lanyard release for quick disconnect applications. Available in BNC and TNC.
- Brochure SL-325
- DM, ADM Series MIL-C-25516 - Leak proof and fully immersible in liquid fuel and vapors describe this miniature coax connector with a superior cable gripping mechanism. Several polarities are available in the clamping or crimp-on hardware.
- Brochure SL-328
- TPS Series MIL-C-55235 - A triple pin bayonet - lock coupling is featured in this space and weight saving connector. Excellent environmental and electrical characteristics make it suitable for military communications and surveillance systems.
- Brochure SL-330

*U.S. Patent No. 3,373,243

Hamilton Avnet

ELECTRONICS  A DIV. OF AVNET, INC.

**World's largest local distributor with 42 locations stocking
the world's finest lines of electronic components**

SOUTHERN CALIFORNIA

Avnet, L.A. (213) 558-2345
Avnet, O.C. (714) 754-6111

SOUTHWEST

San Diego (714) 571-7510
Phoenix (602) 275-7851

NORTHWEST

San Francisco (408) 743-3355
Portland (503) 635-8831
Seattle (206) 453-5844

ROCKY MOUNTAIN

Salt Lake City (801) 972-2800
Denver (303) 779-9998
Albuquerque (505) 765-1500

NORTH CENTRAL

Chicago (312) 678-6310
Minneapolis (612) 941-3801
Milwaukee (414) 784-4510

SOUTH CENTRAL

Dallas (214) 659-4111
Houston (713) 780-1771
Austin (512) 837-8911

MID CENTRAL

Kansas City (913) 888-8900
St. Louis (314) 344-1200

GREAT LAKES

Cleveland (216) 831-3500
Dayton (513) 433-0610
Detroit (313) 522-4700
Indianapolis (317) 844-9333

NORTHEAST

Boston (617) 273-7500
Syracuse (315) 437-2641
Rochester (716) 475-9130

METROPOLITAN

Long Island (516) 454-6060
Connecticut (203) 797-2800
N. New Jersey (201) 575-3390

MID ATLANTIC

Baltimore (301) 995-3500
S. New Jersey (609) 424-0100
Raleigh (919) 829-8030

CANADA

Toronto (416) 677-7432
Montreal (514) 331-6443
Ottawa (613) 226-1700

SOUTHEAST CENTRAL

Atlanta (404) 447-7507
Huntsville (205) 837-7210

SOUTHEAST

St. Petersburg (813) 576-3930
Miami (305) 971-2900

INTERNATIONAL

Telex 66-4329
Telephone (213) 558-2441

JAPAN

Tokyo (03) 662-9911
Osaka (06) 533-5855



AVNET

ELECTRONICS

Orange County/Sales

(714) 754-6111

Los Angeles/Sales

(213) 558-2345

Orange County/Customer Service

(714) 754-6000

Los Angeles/Customer Service

(213) 558-2543

350 McCormick Ave. • Irvine Industrial Complex
Costa Mesa • California 92626